

Ontwerpwedstrijd Werktuigbouwkunde 2022

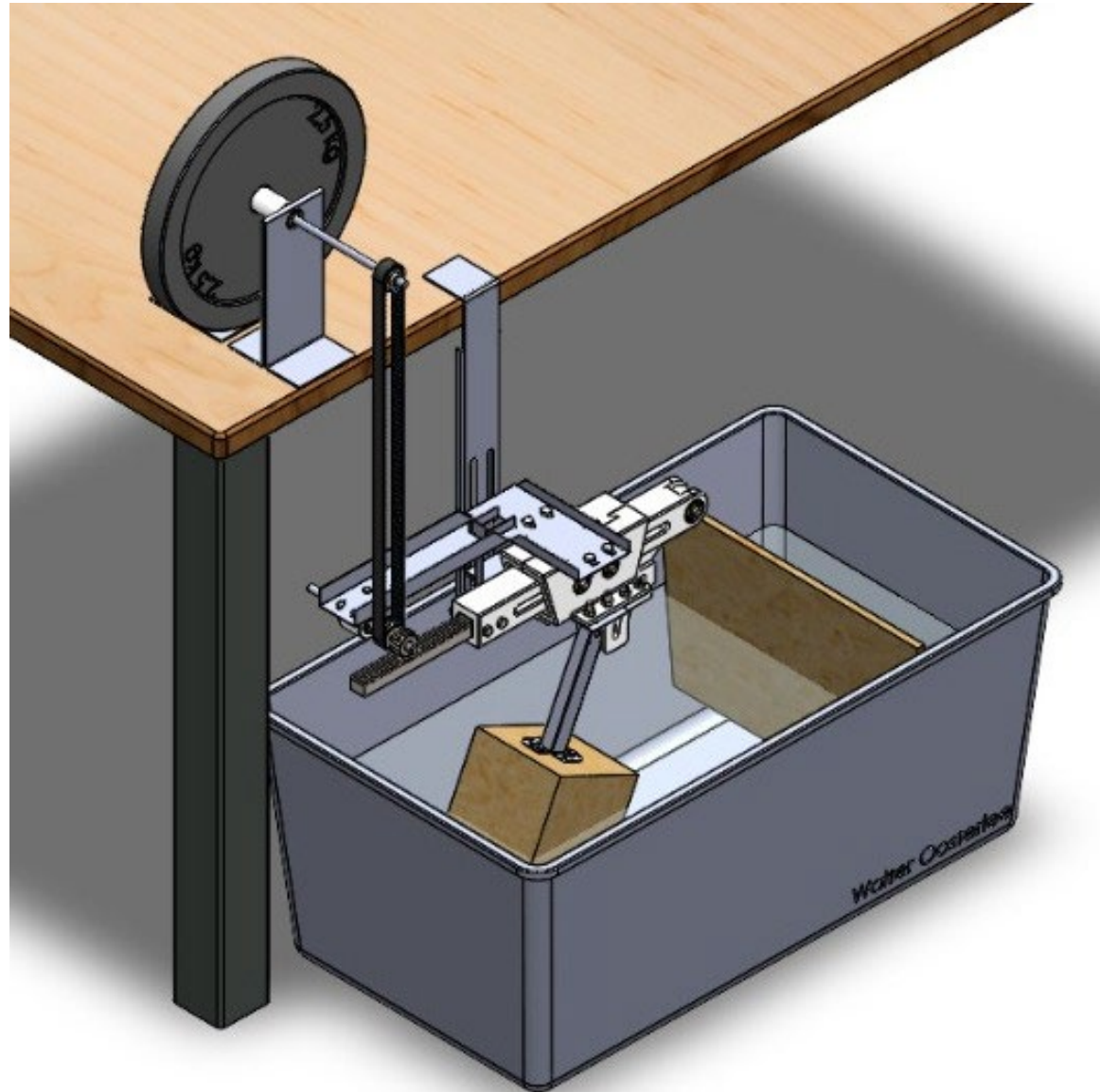
GOLFENERGIE ACCUMULATOR (GEA)

Screenshots van het 3D-computermodel

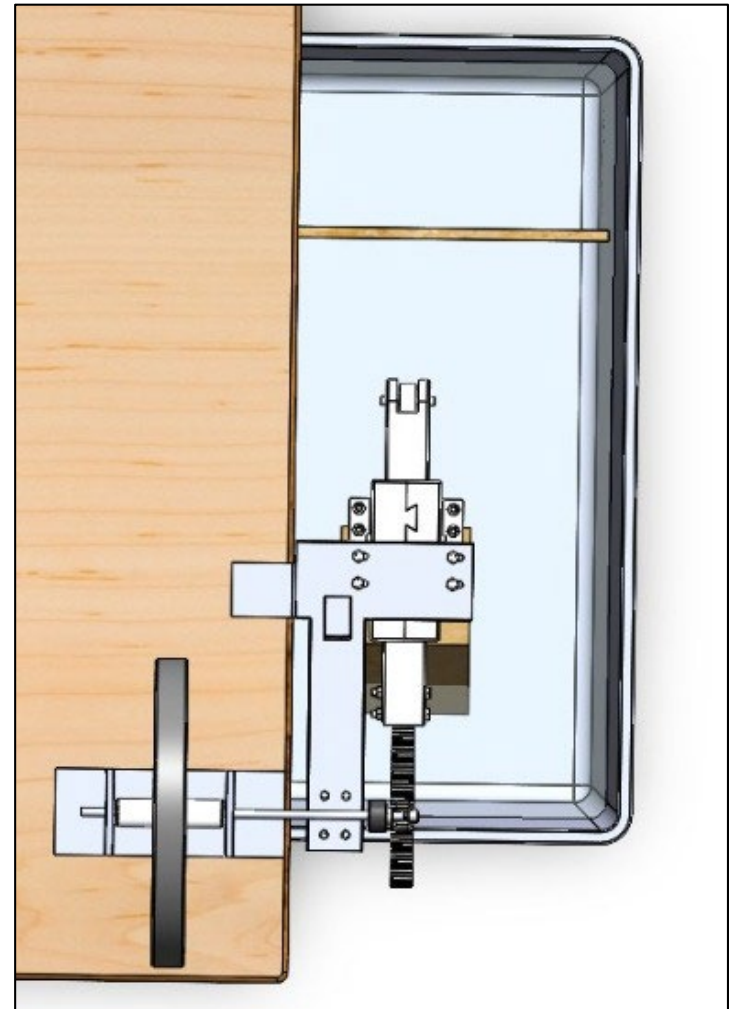
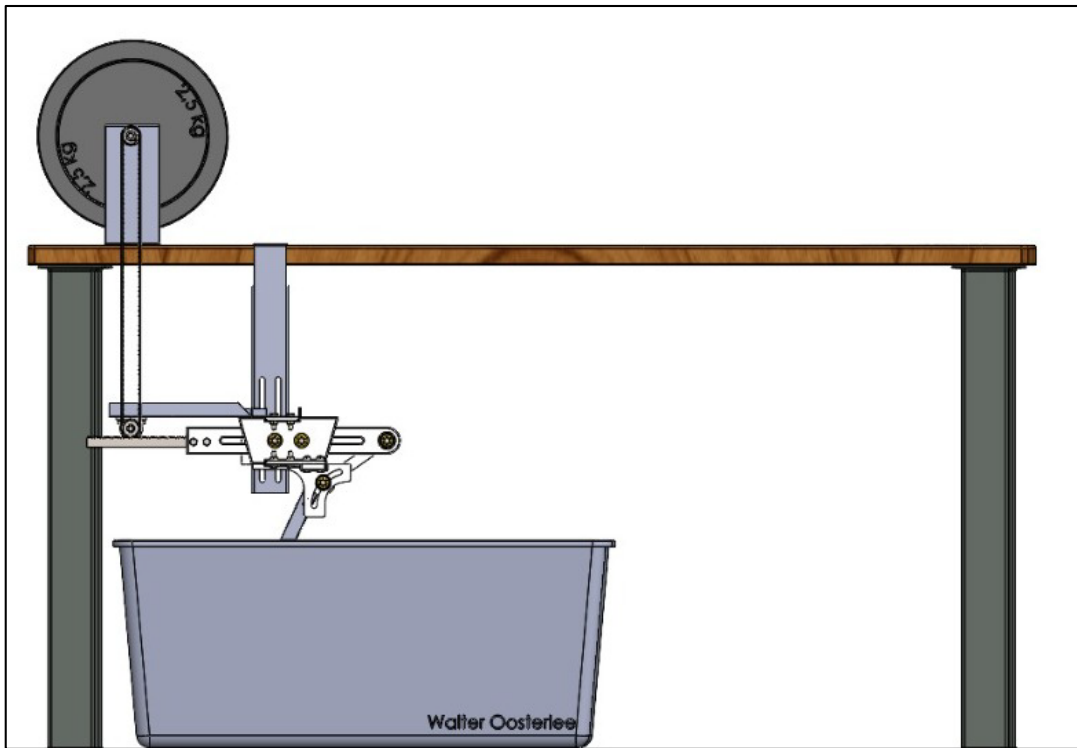
door de 96 WB-projectgroepen - begin april 2022 ingeleverd - WB1643 Werktuigkundig Ontwerproject 3



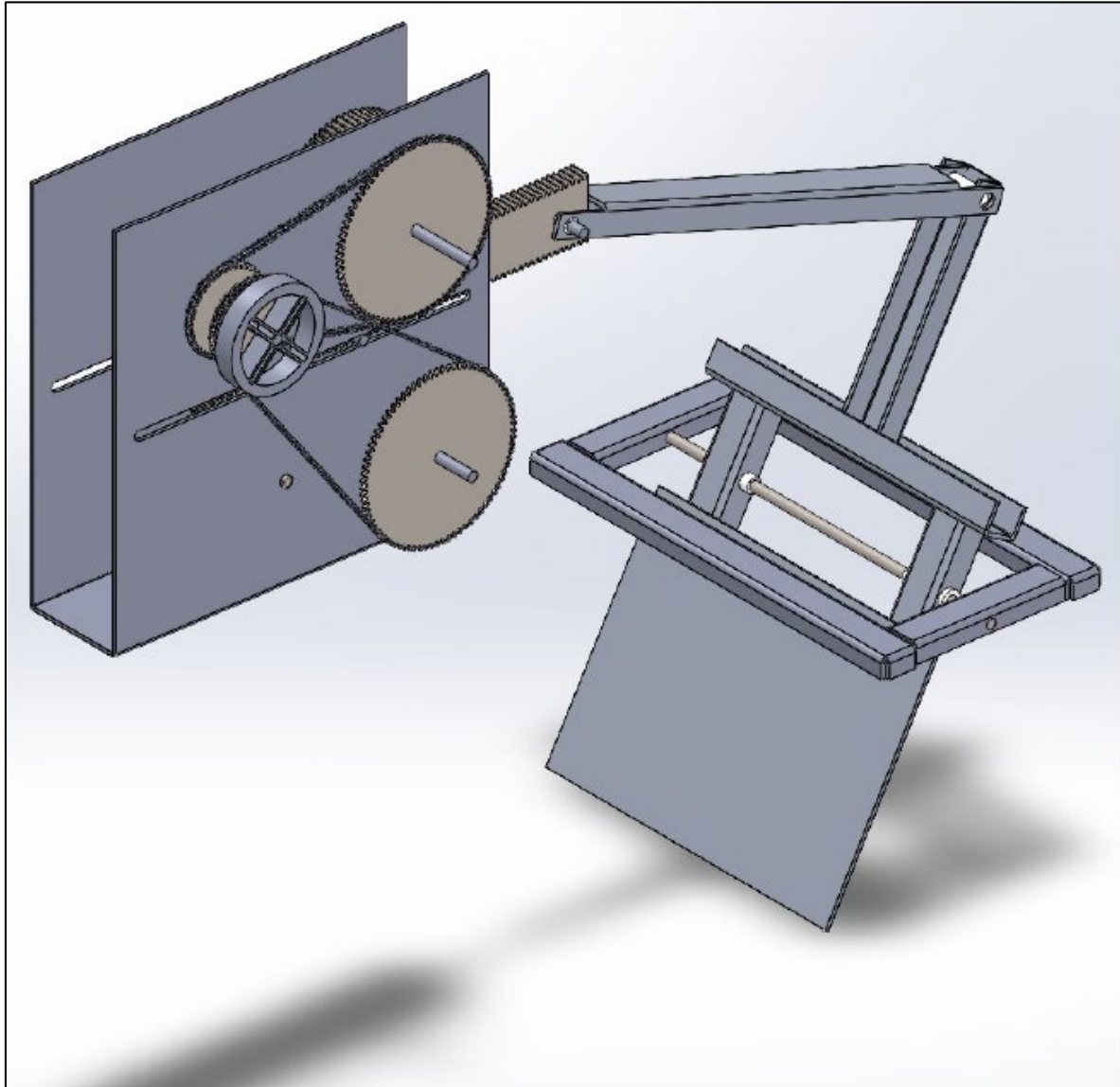
mei 2022
Samengesteld door Regine Vroom



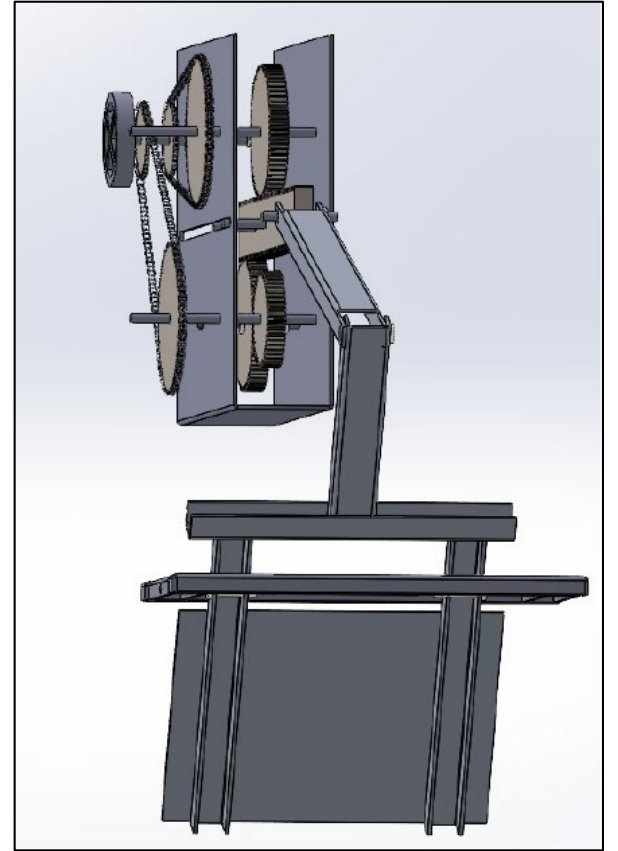
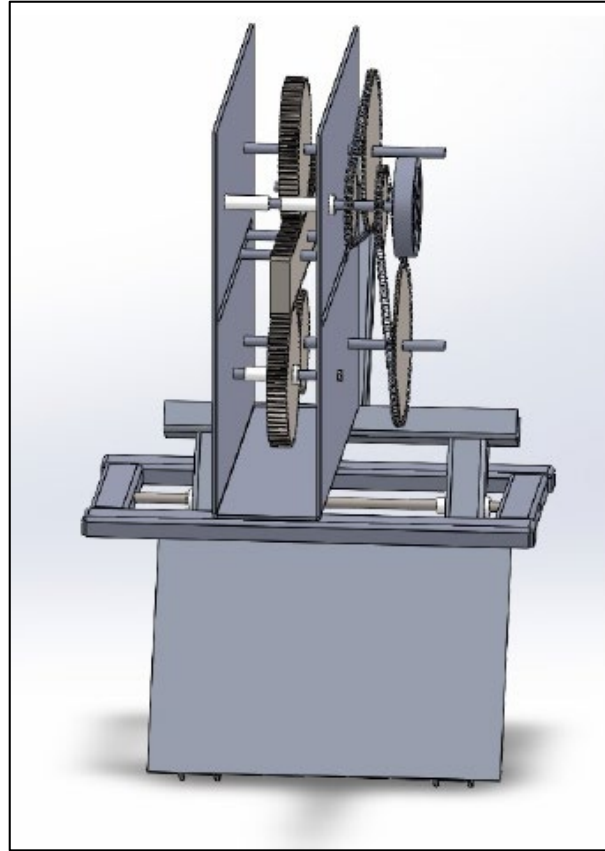
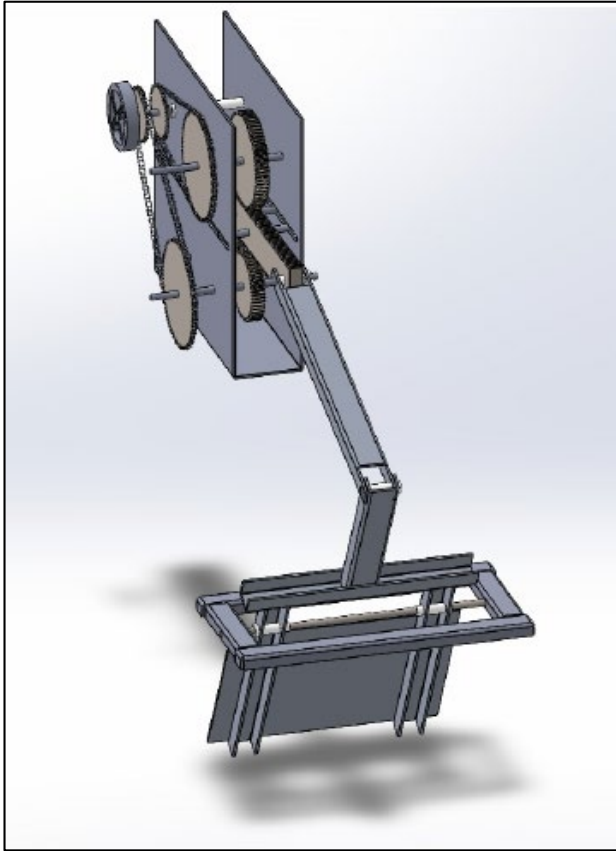
WB01



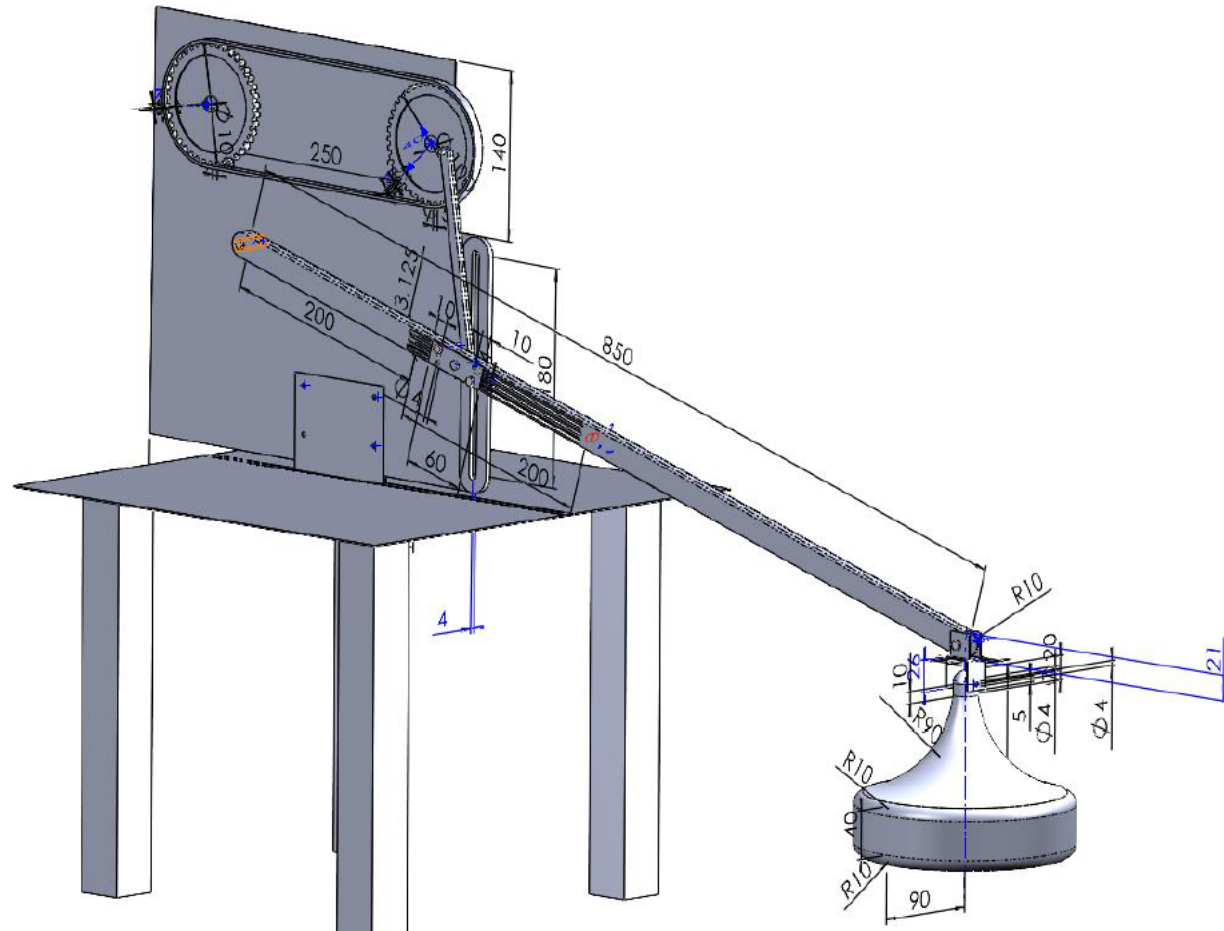
WB01



WB02



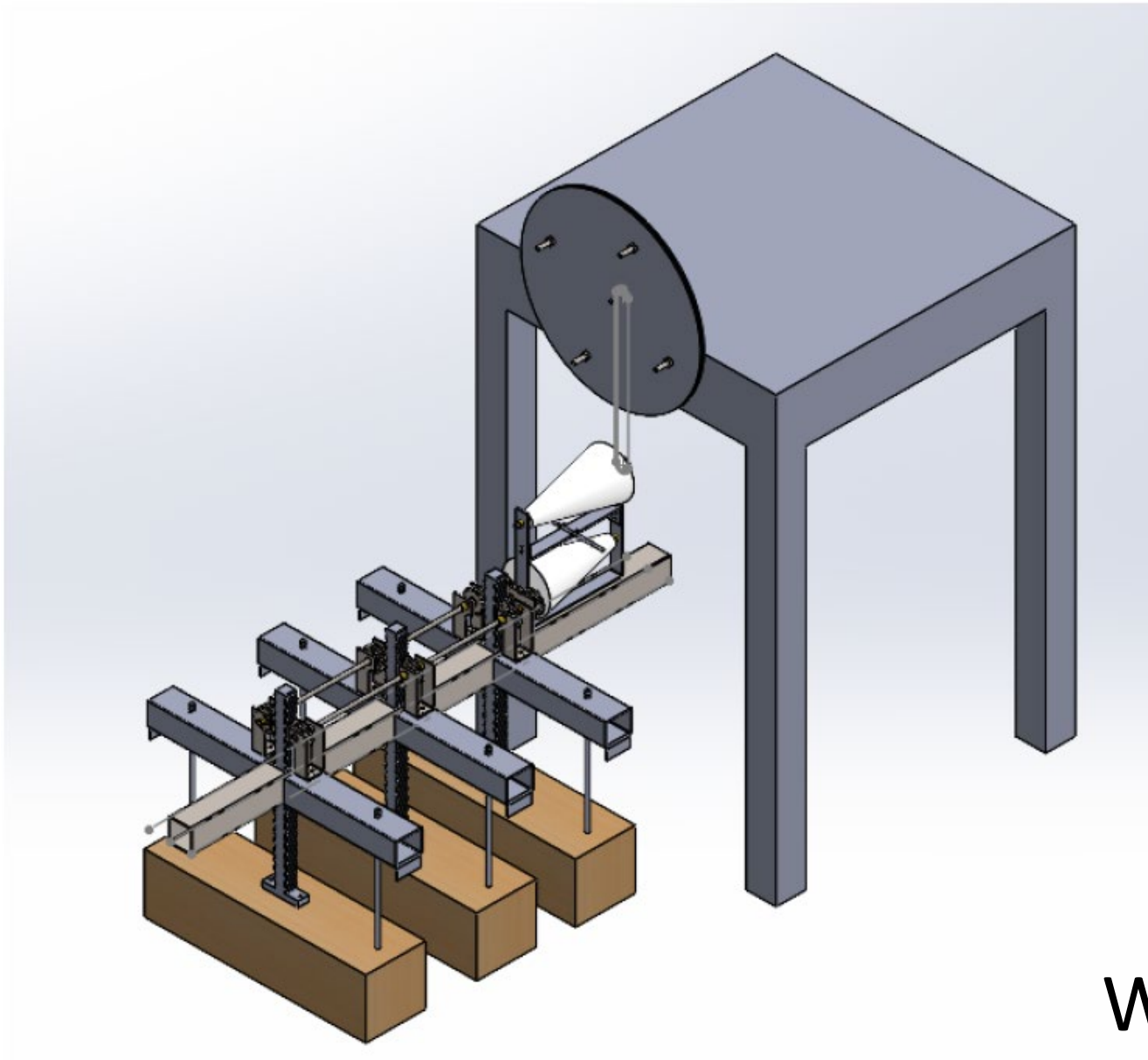
WB02



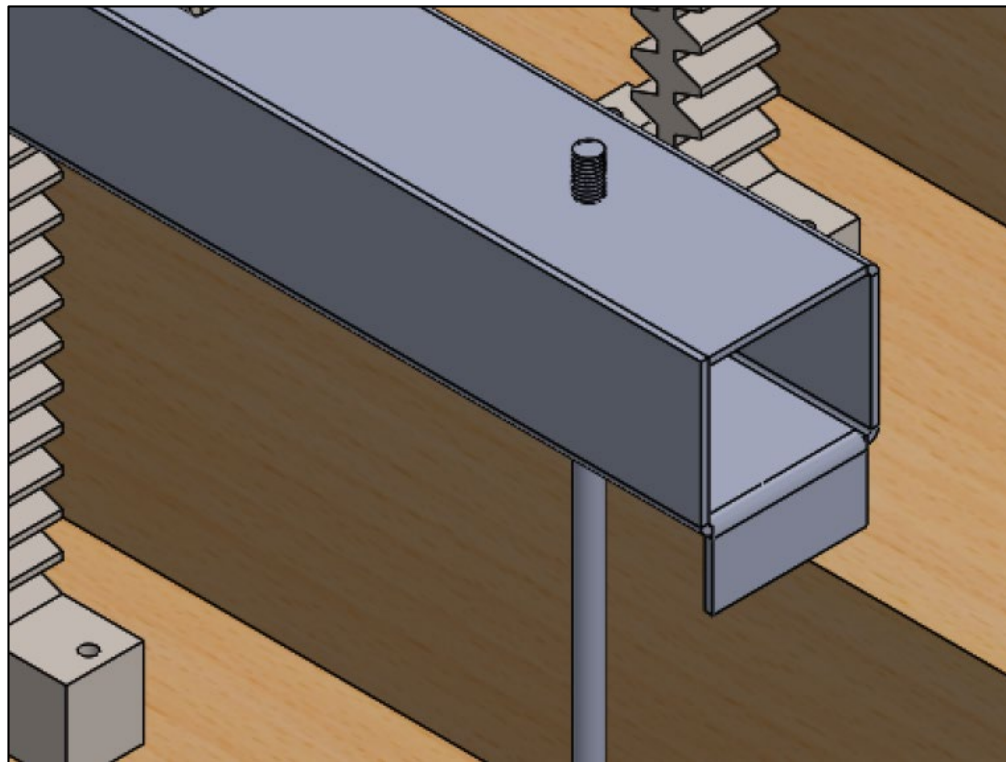
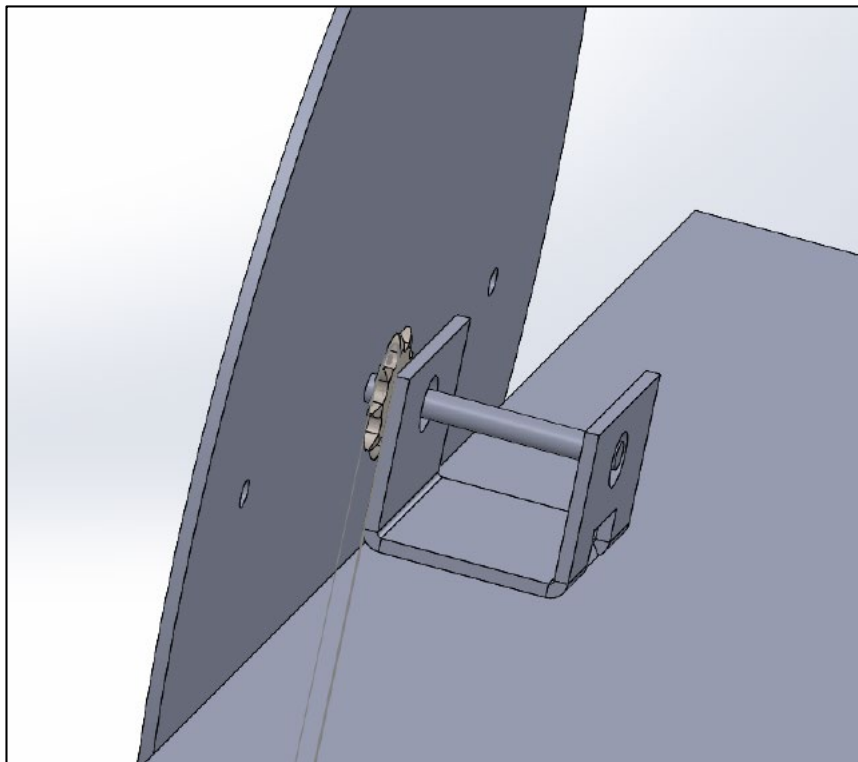
WB03



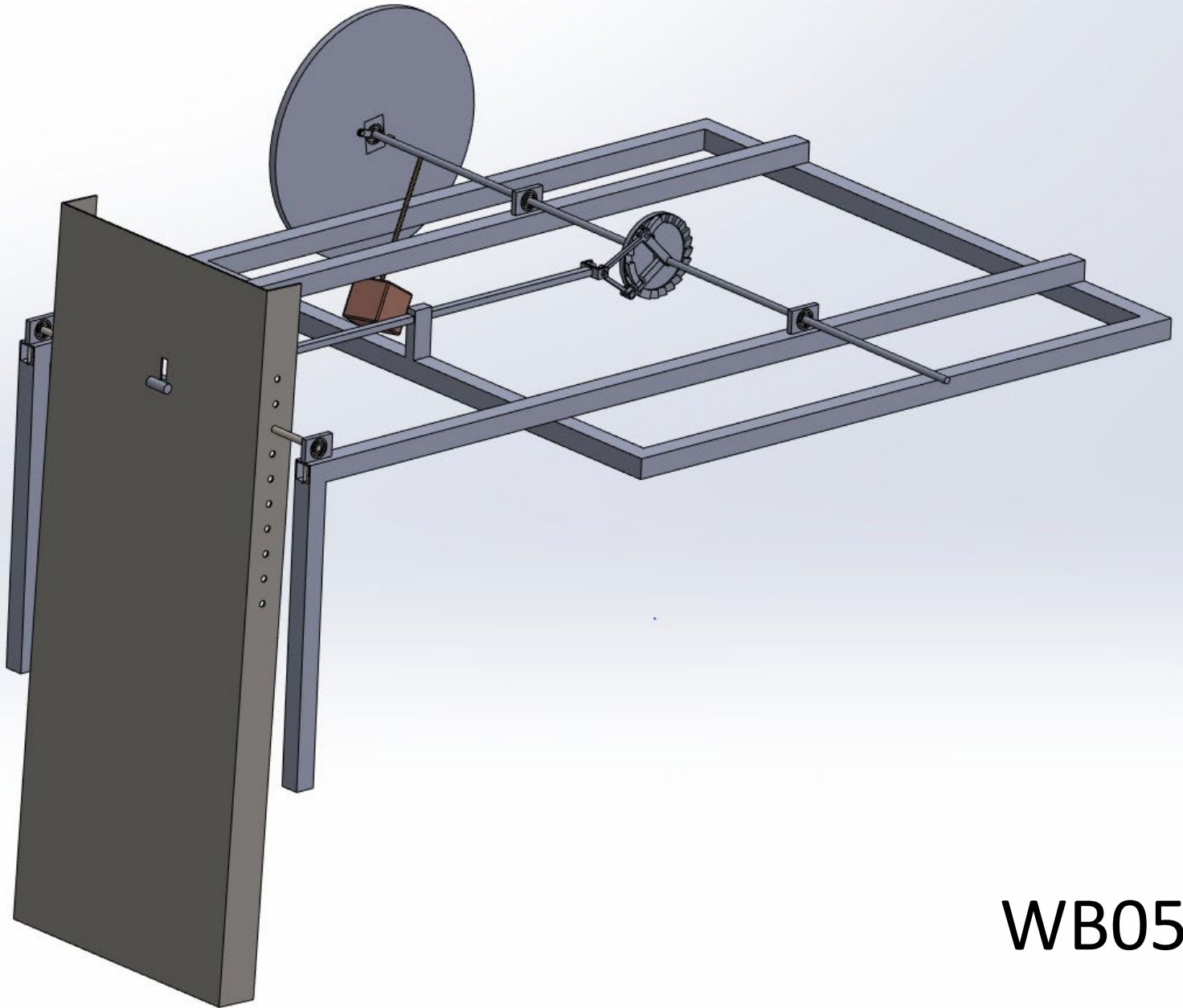
WB03



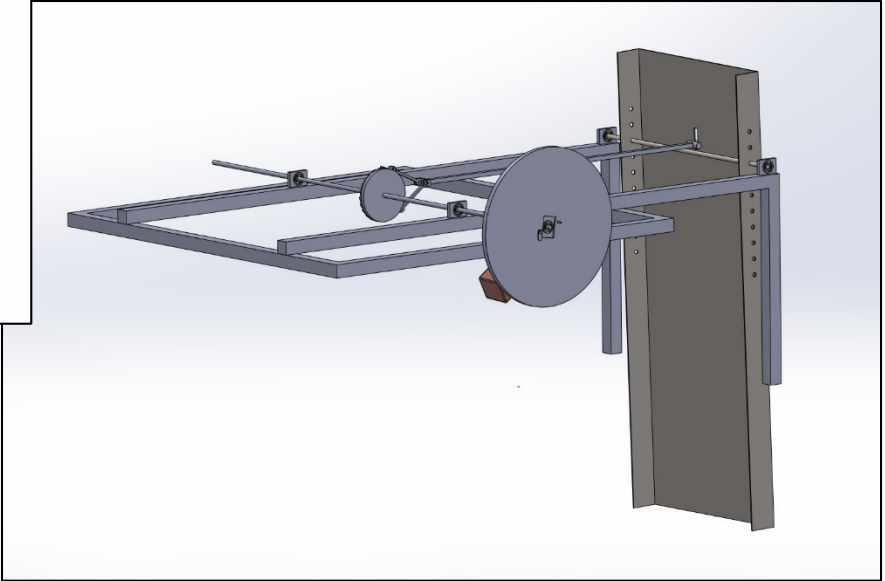
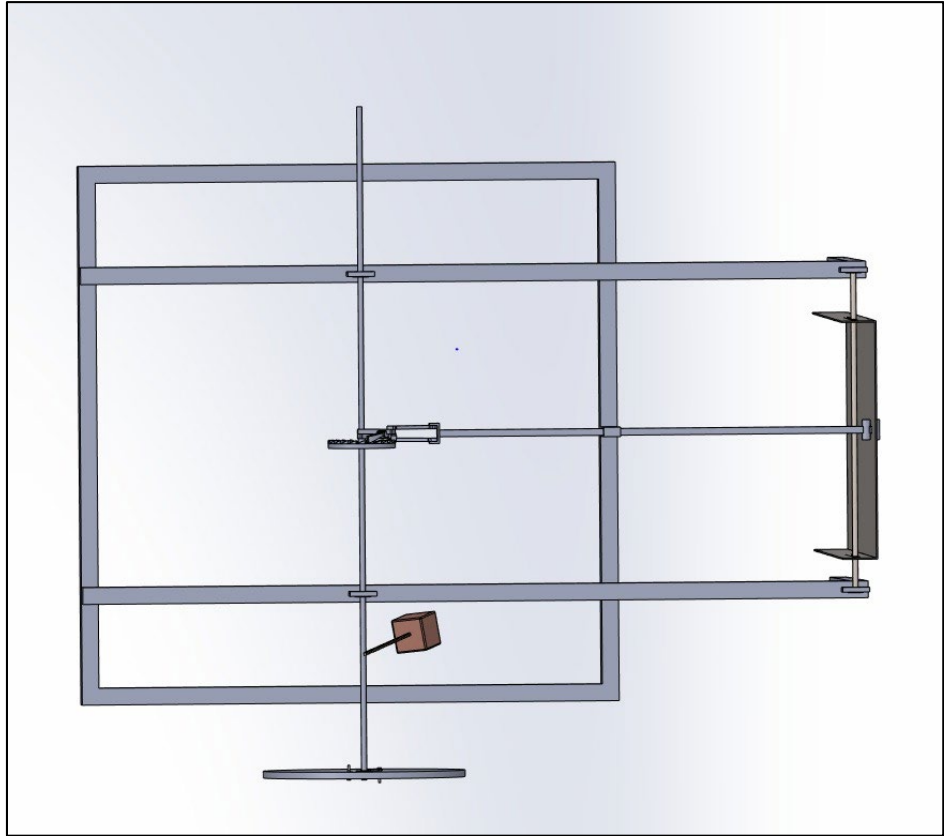
WB04



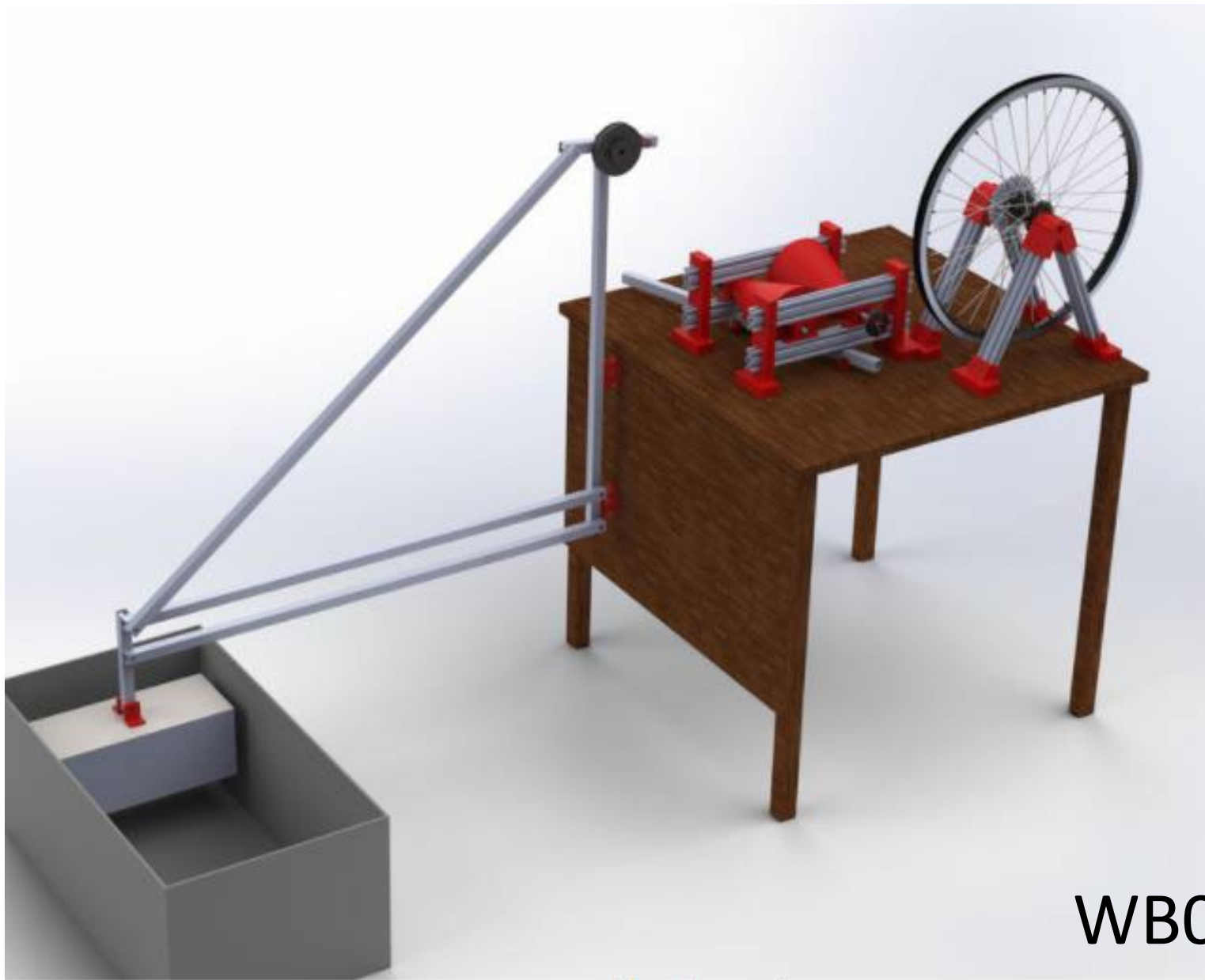
WB04



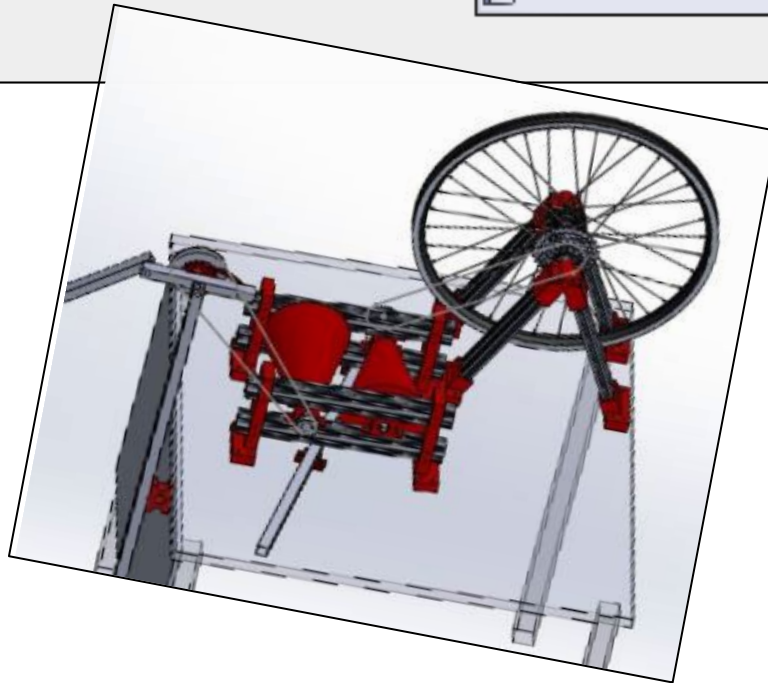
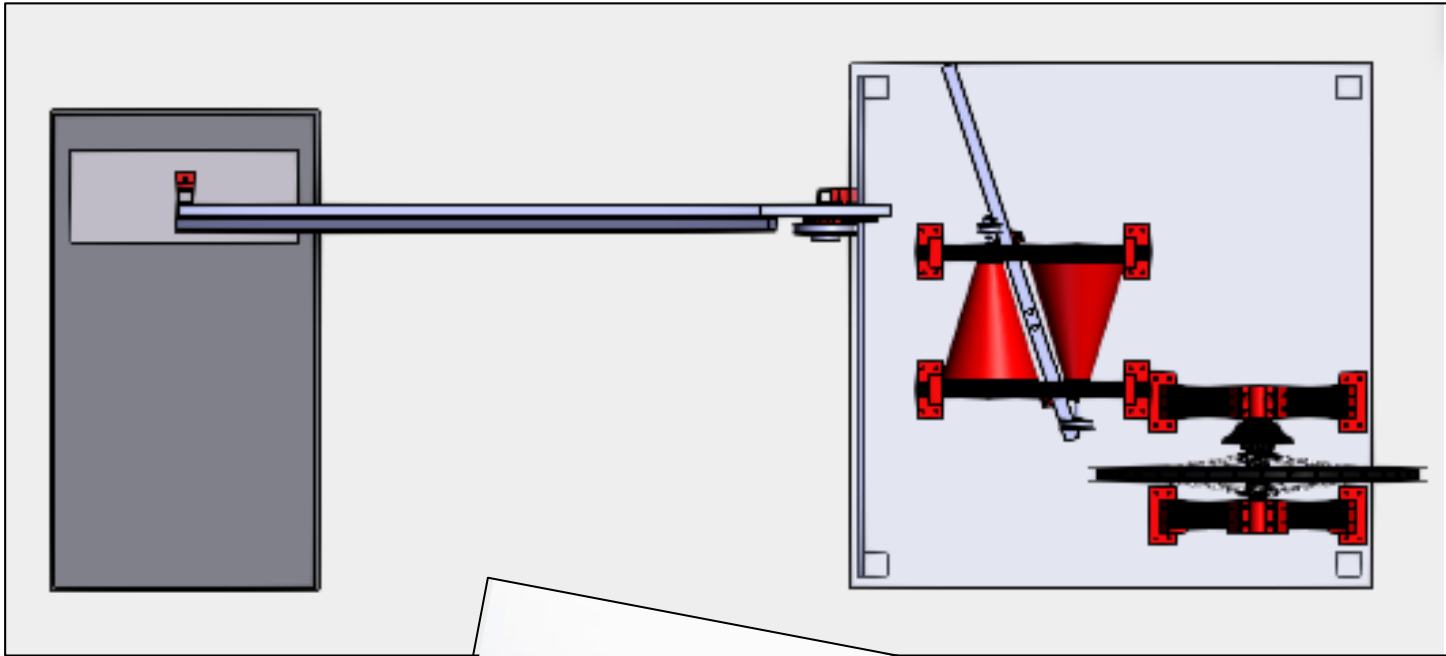
WB05



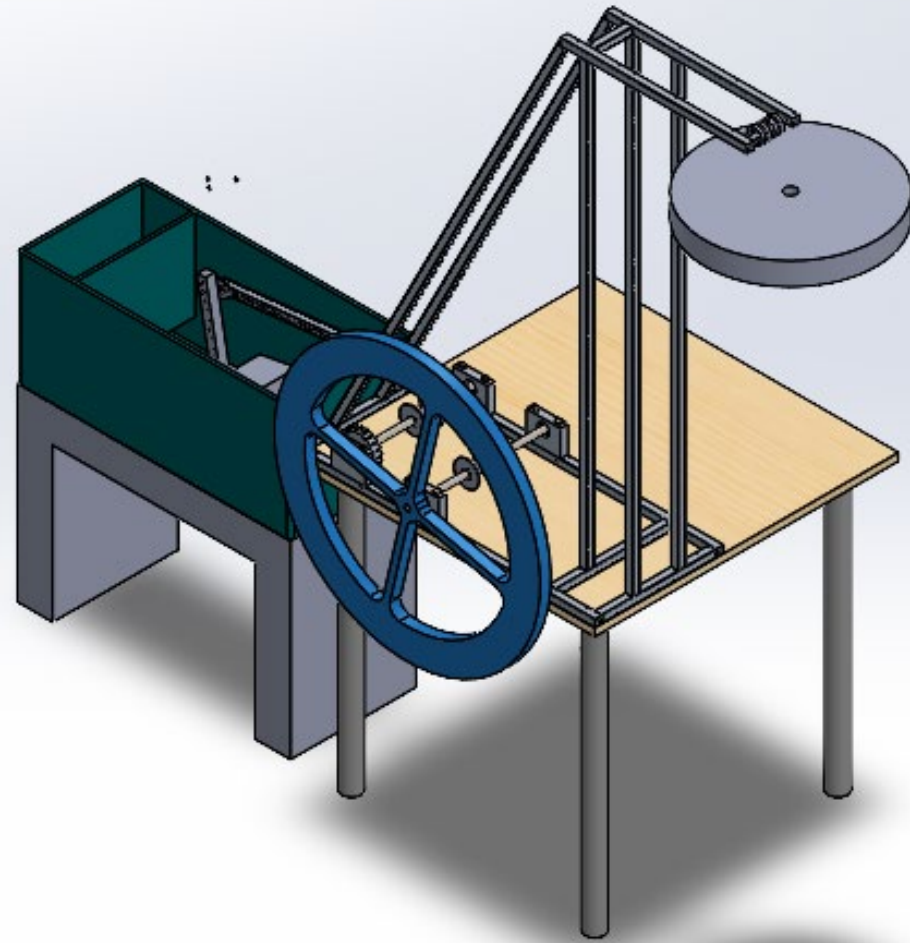
WB05



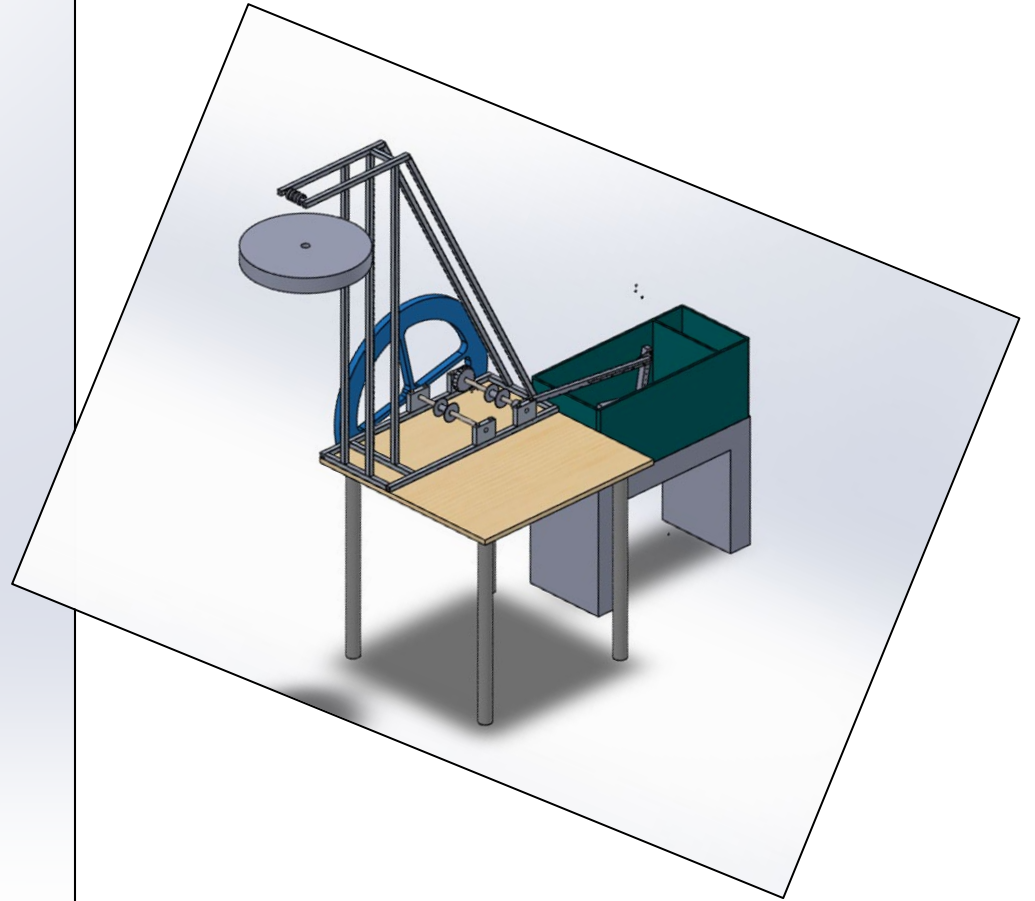
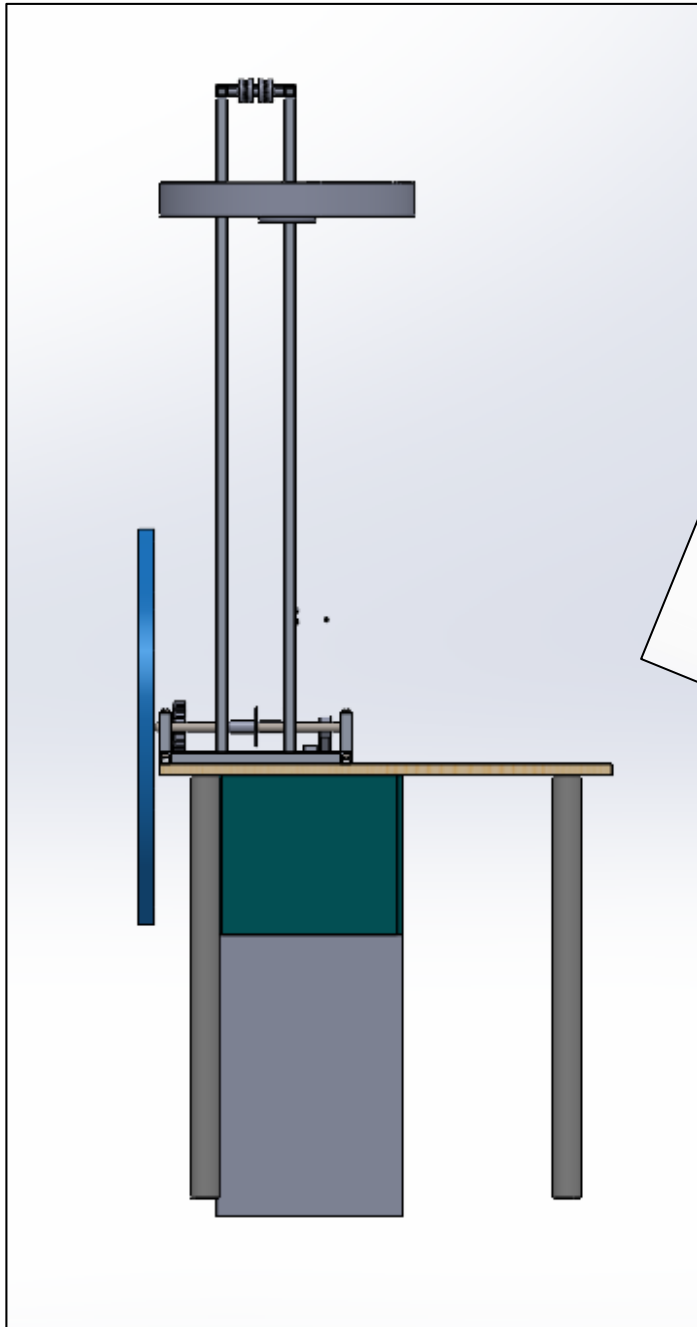
WB06



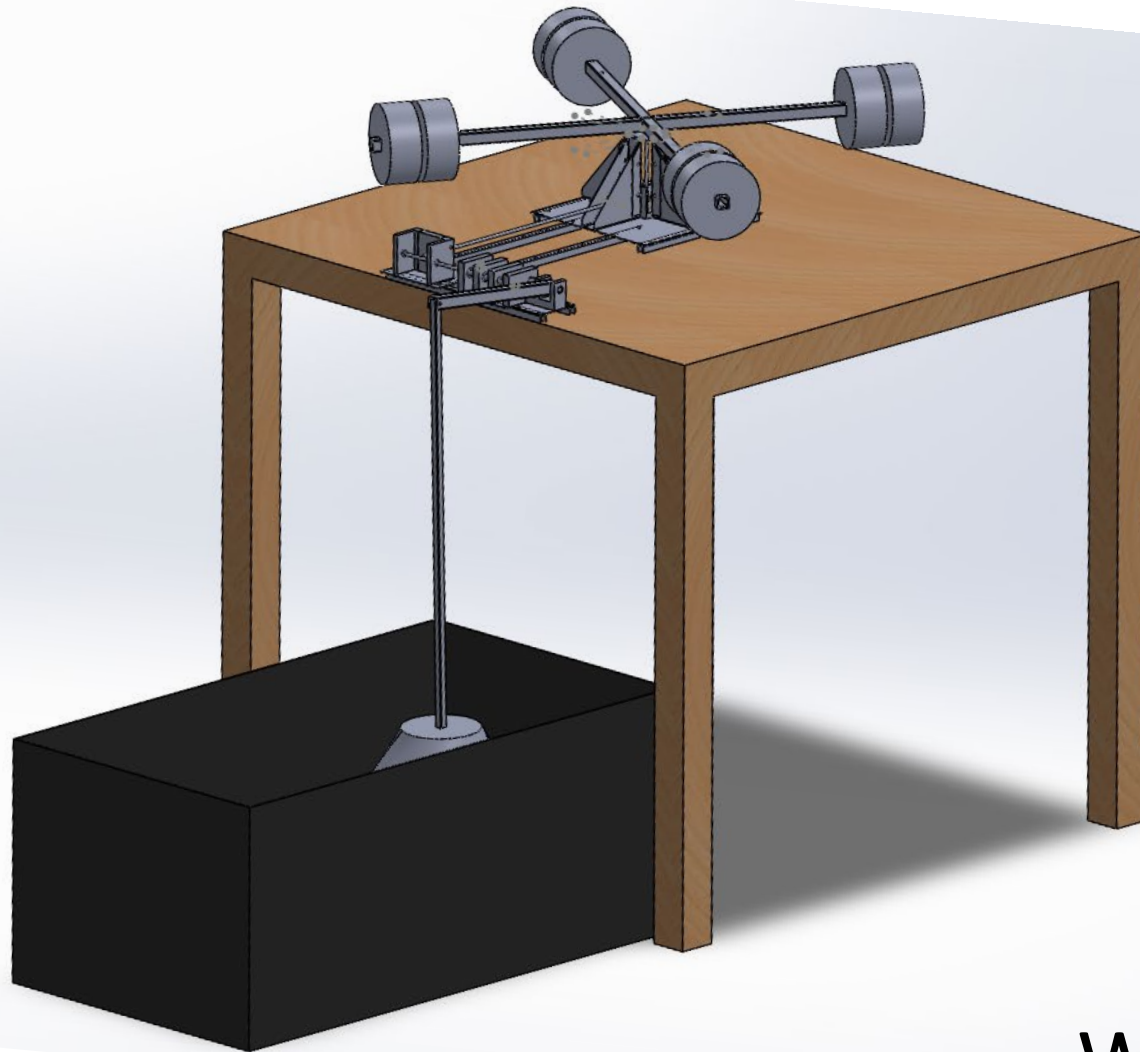
WB06



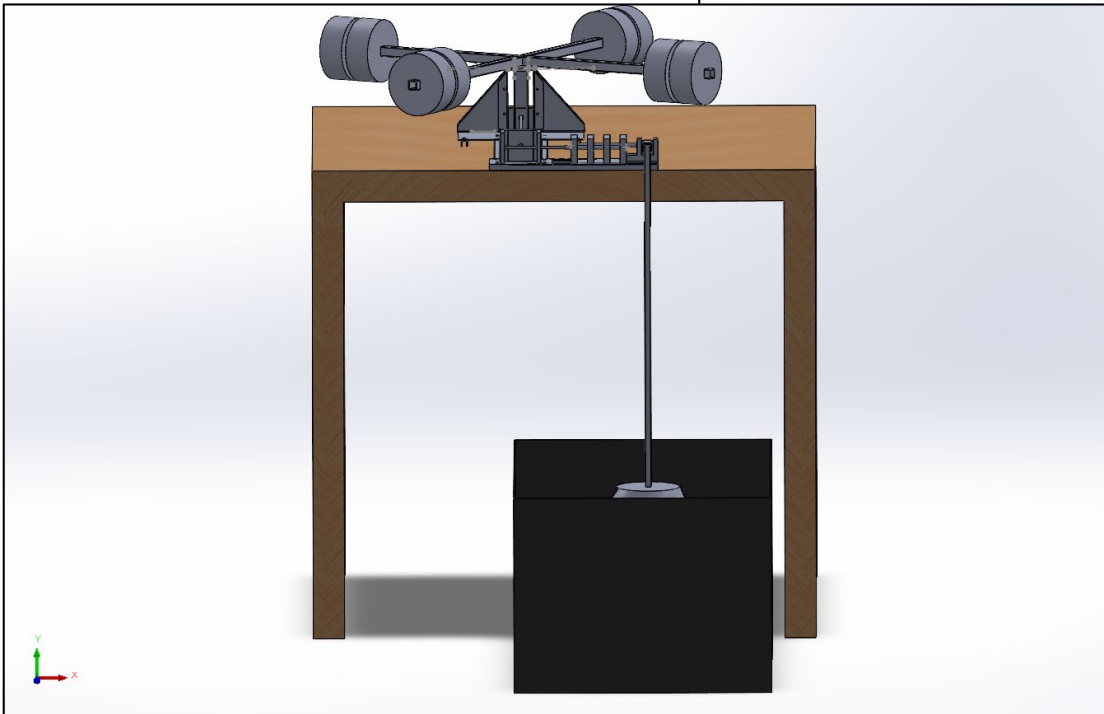
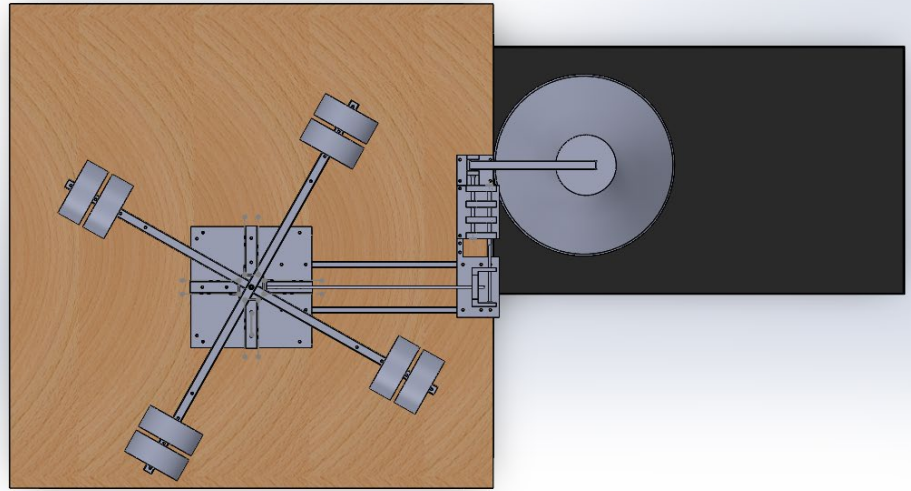
WB07



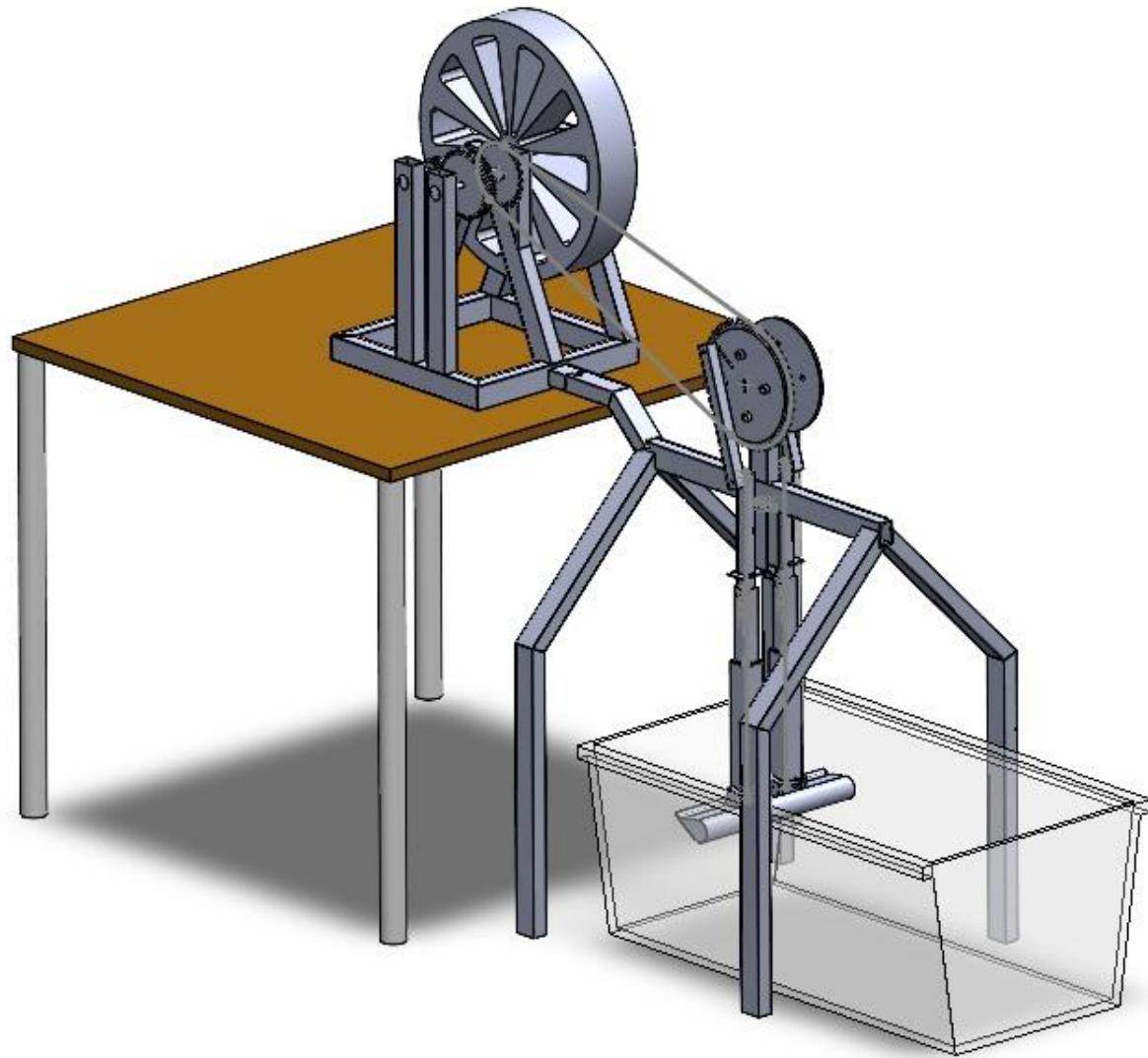
WB07



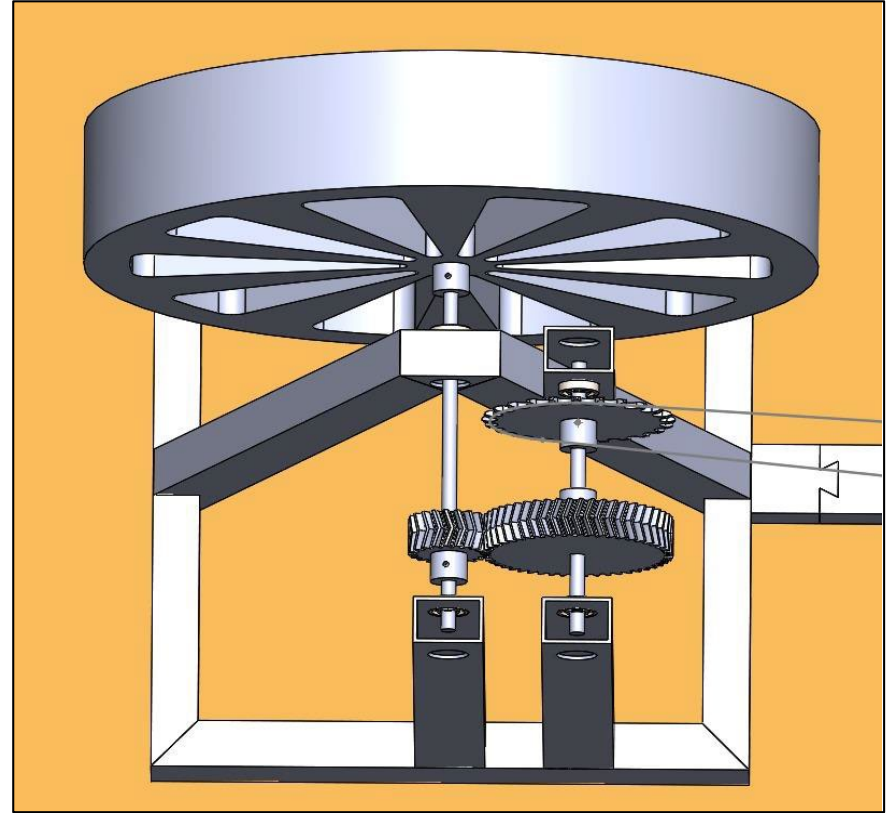
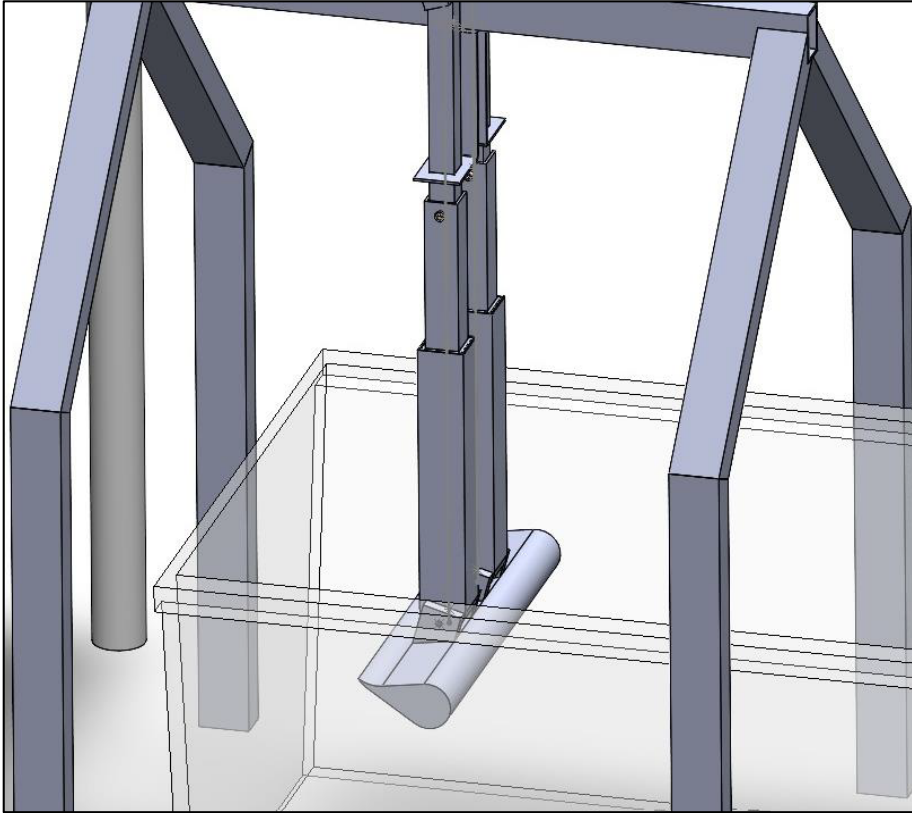
WB08



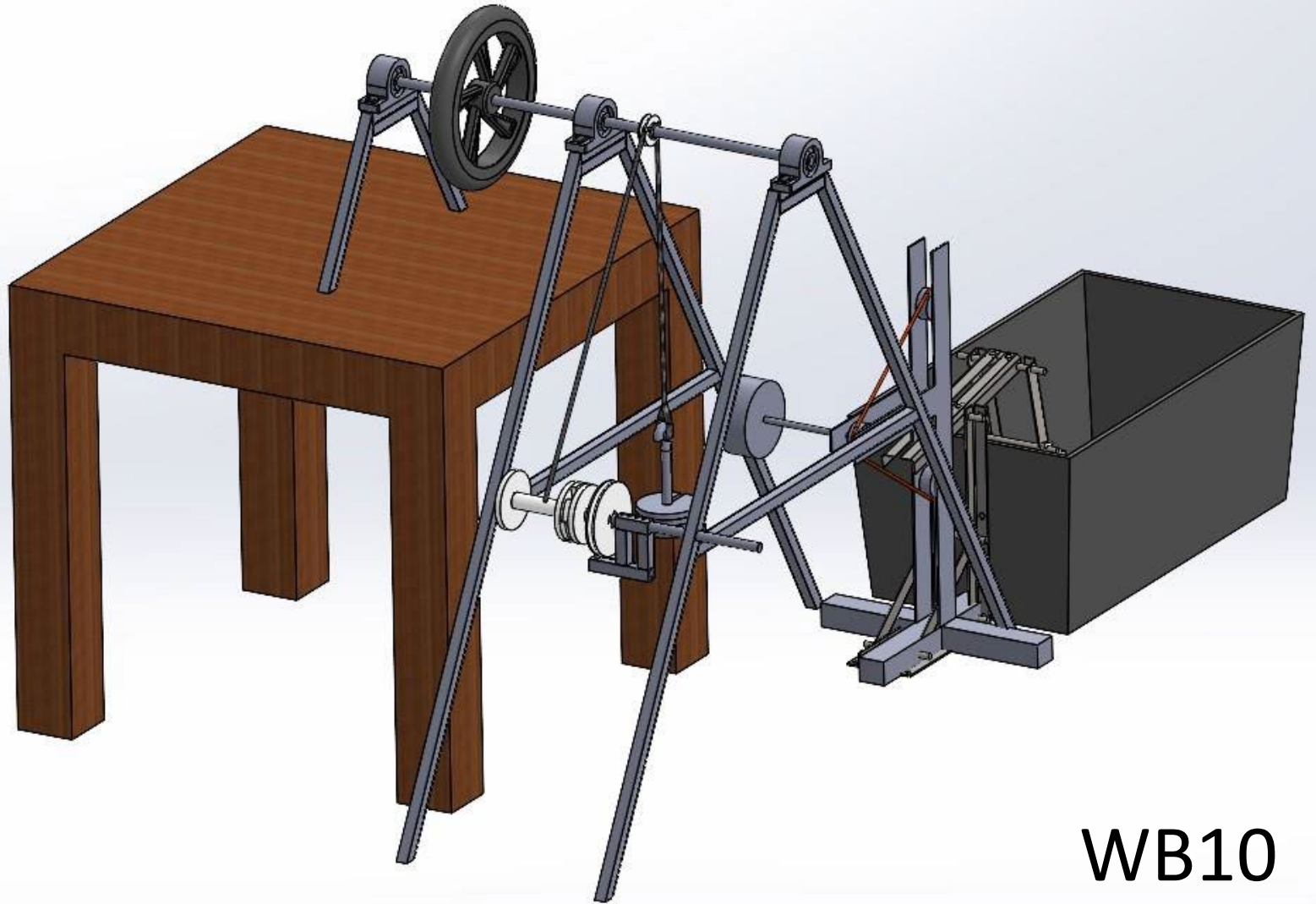
WB08



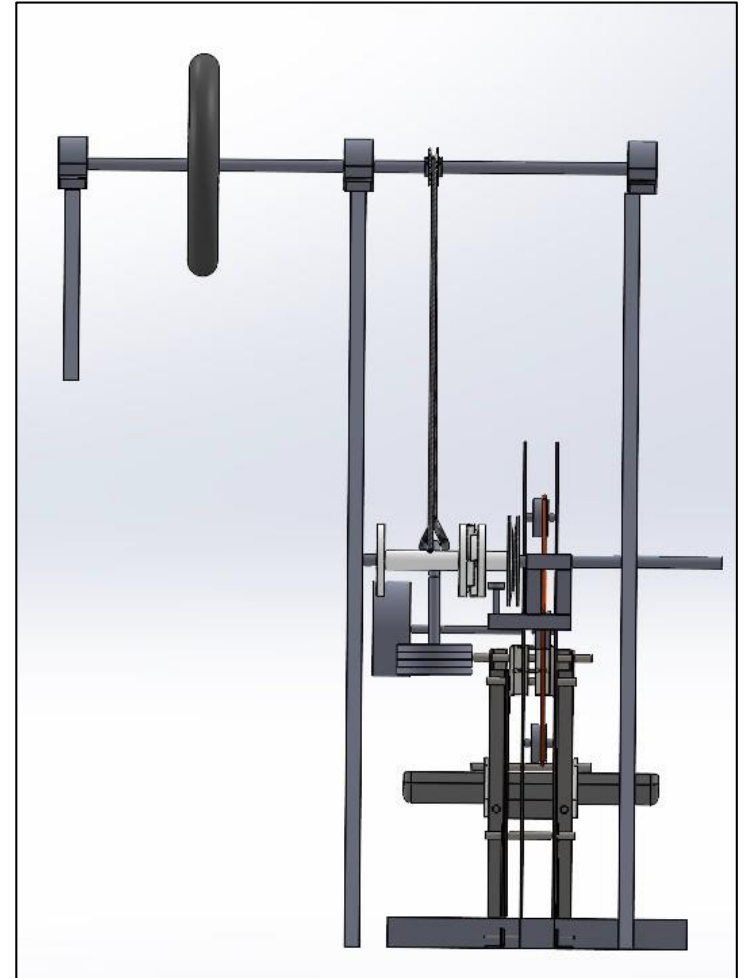
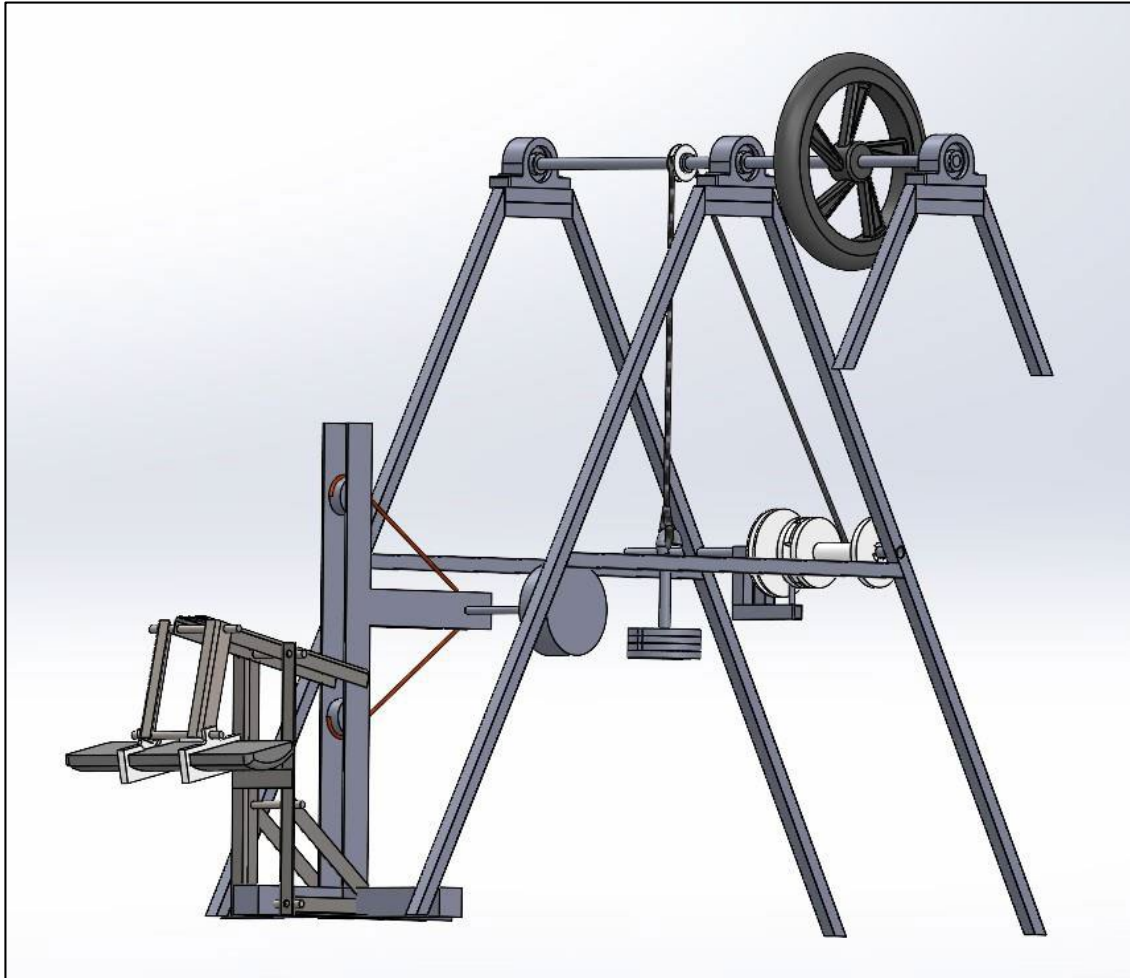
WB09



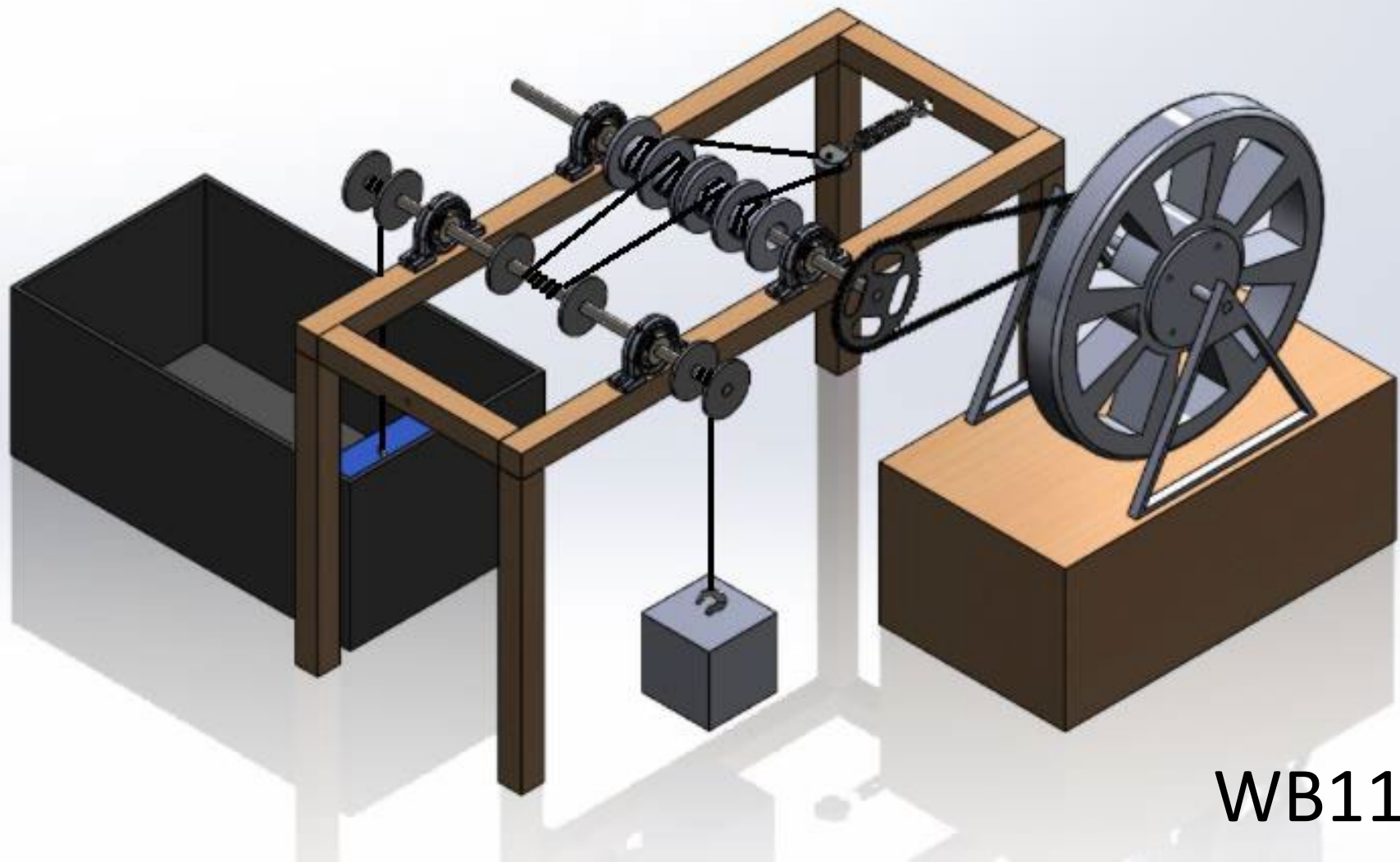
WB09



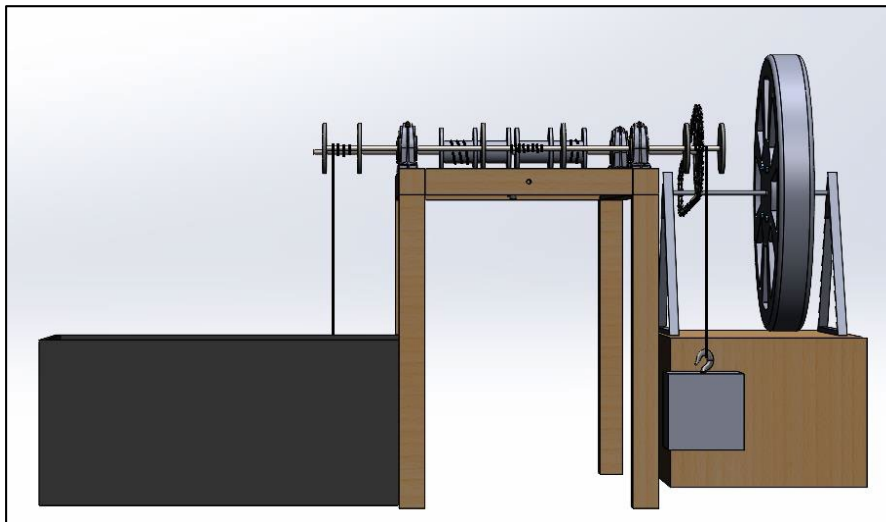
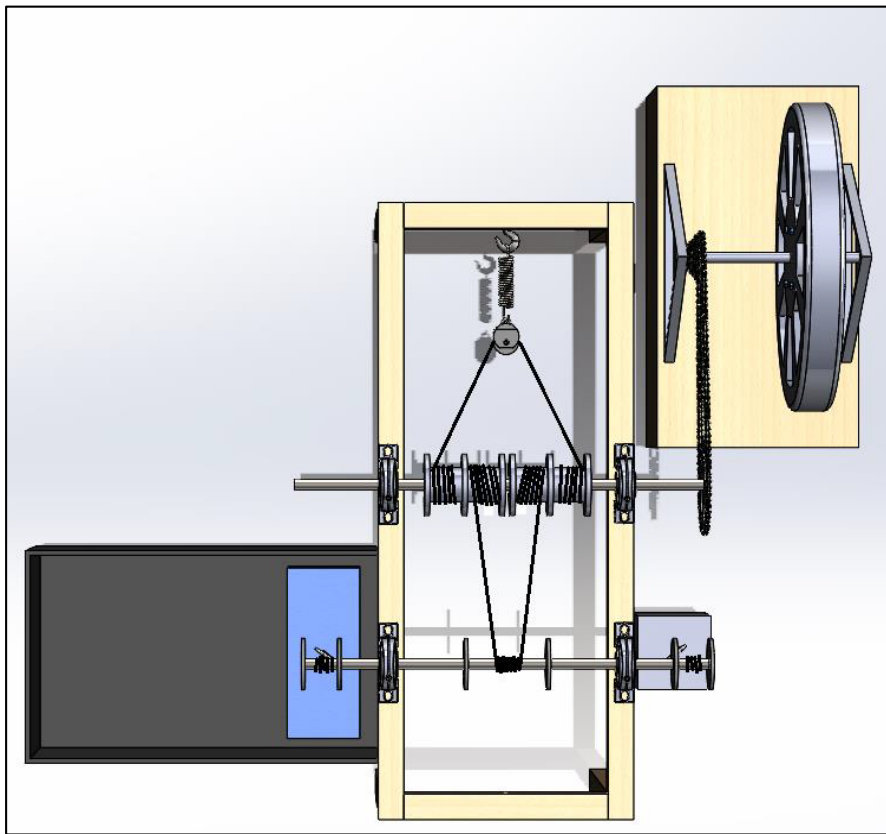
WB10



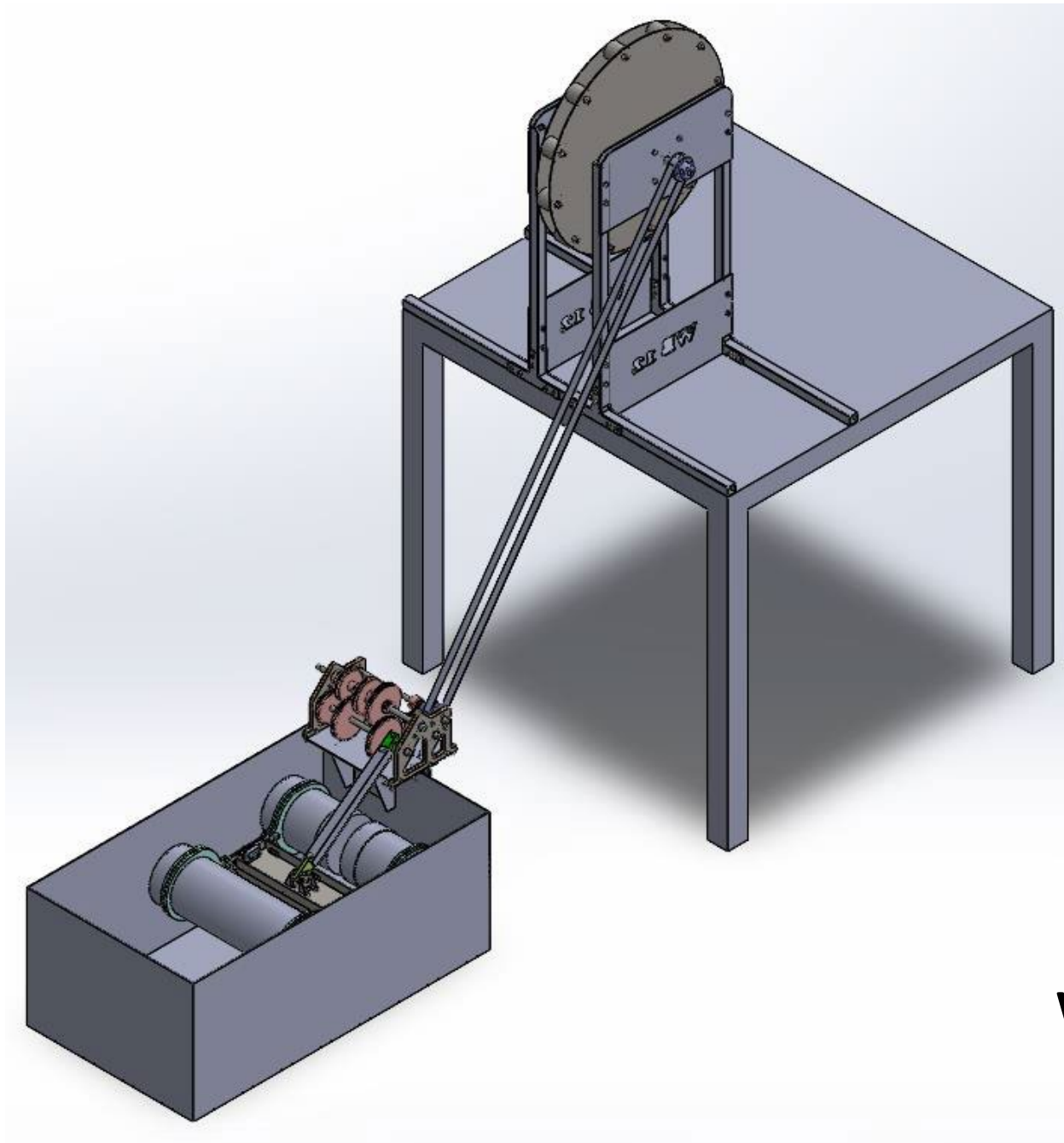
WB10



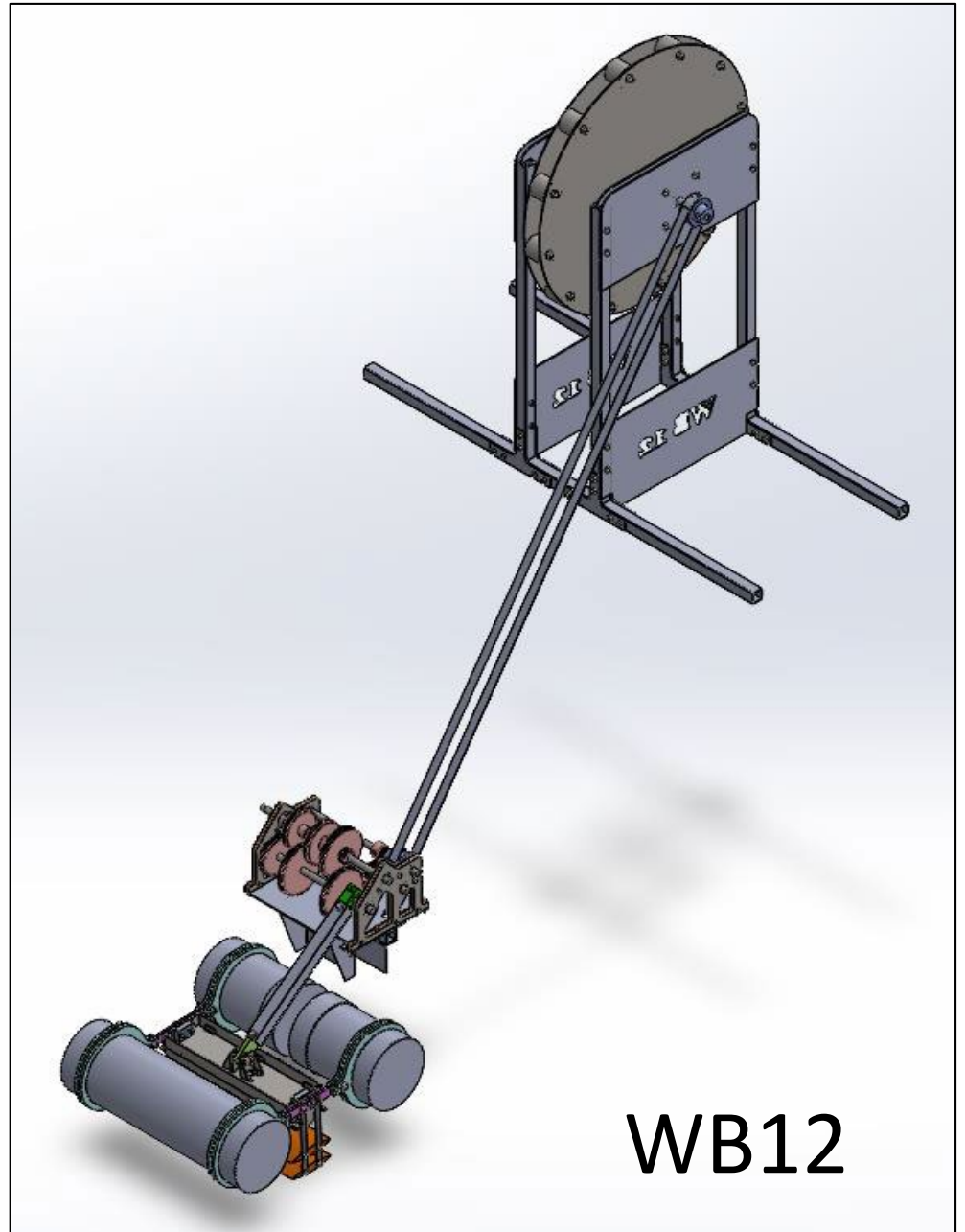
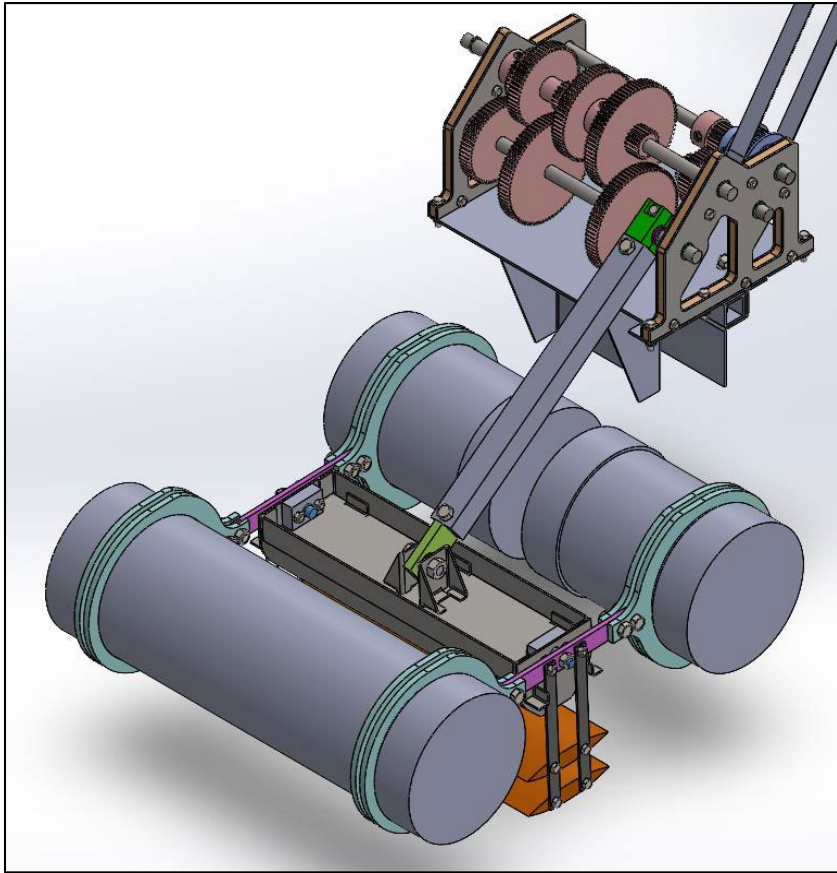
WB11



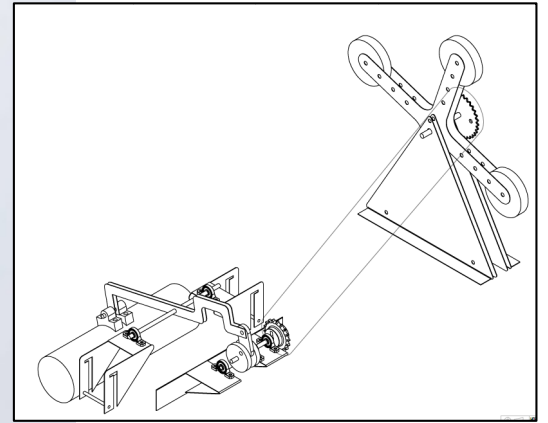
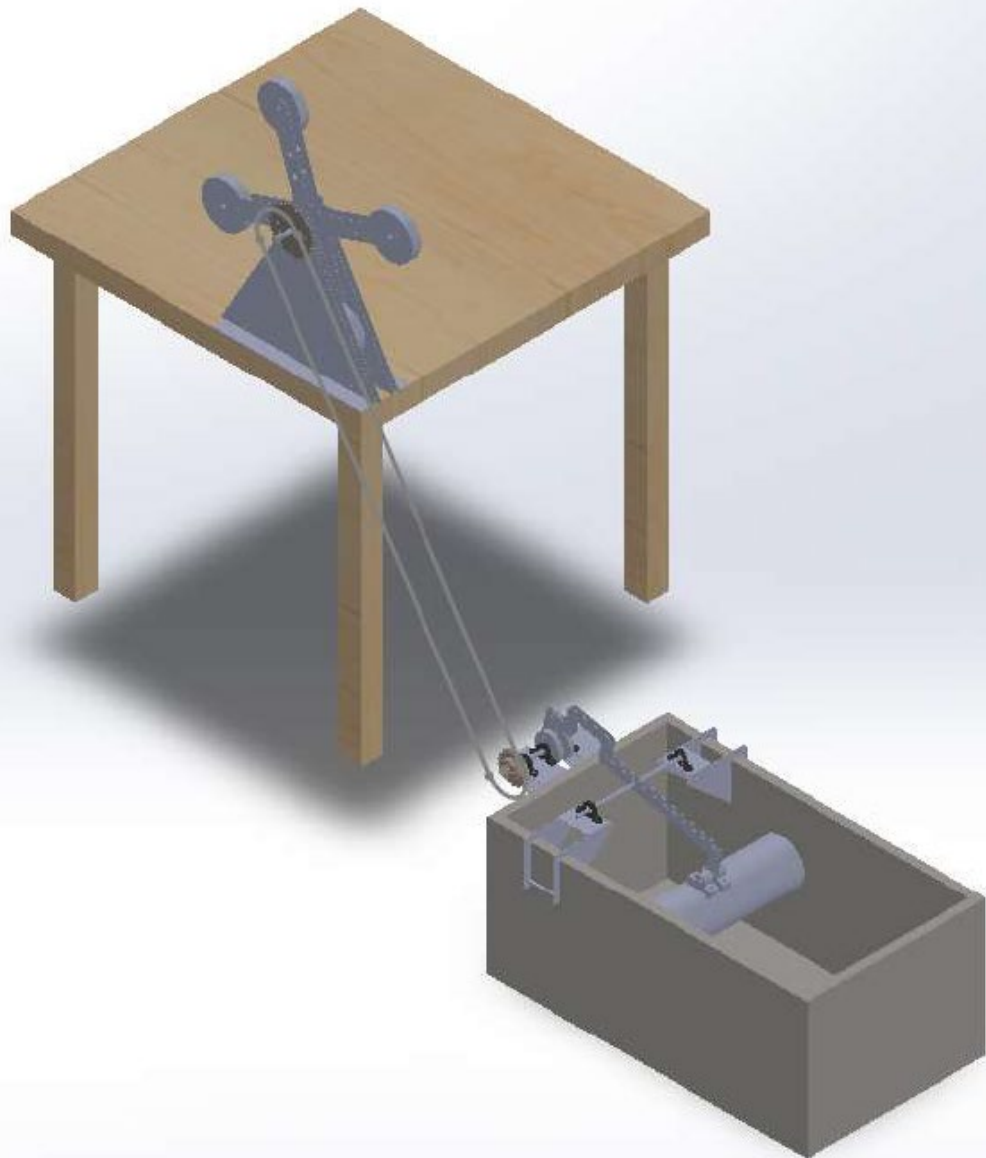
WB11



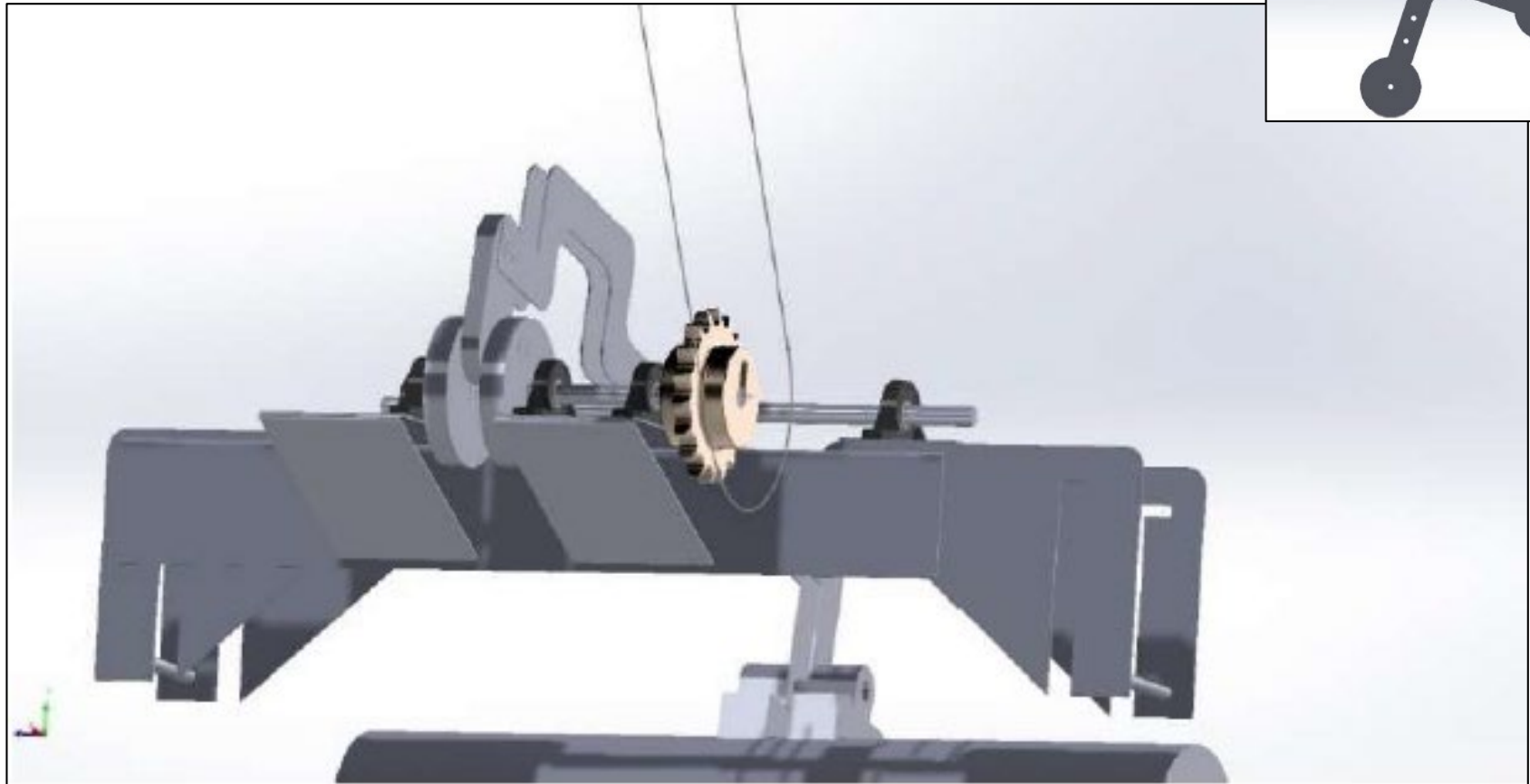
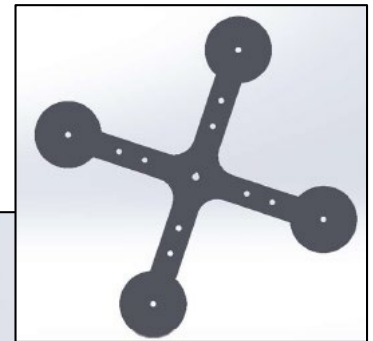
WB12



WB12



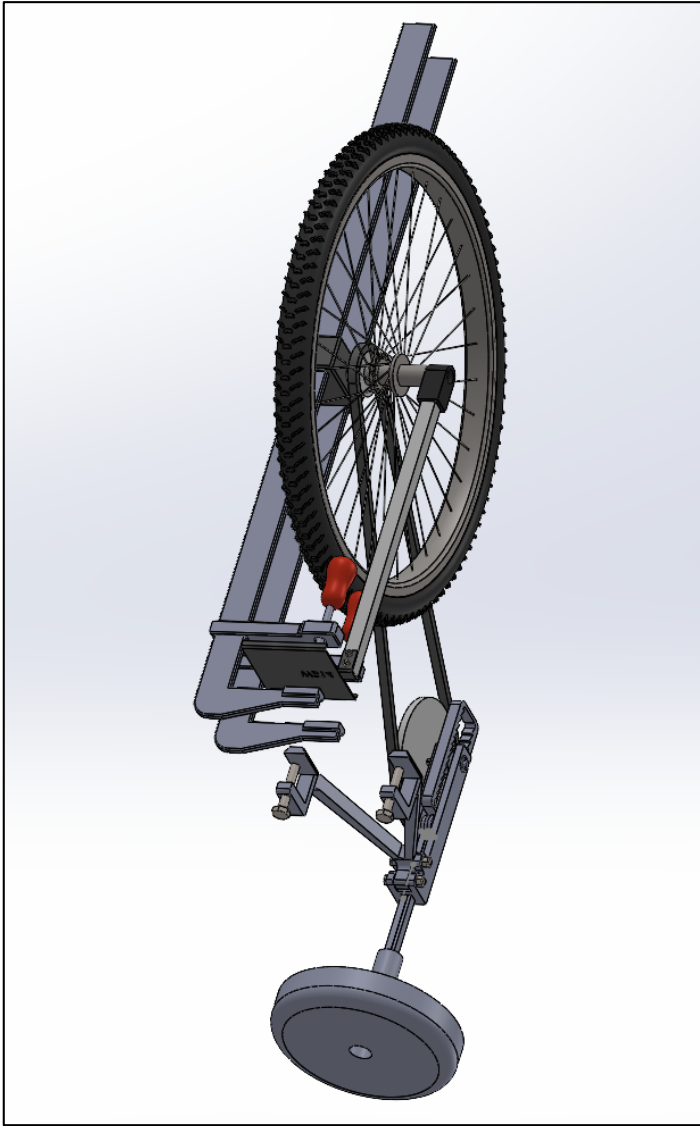
WB13



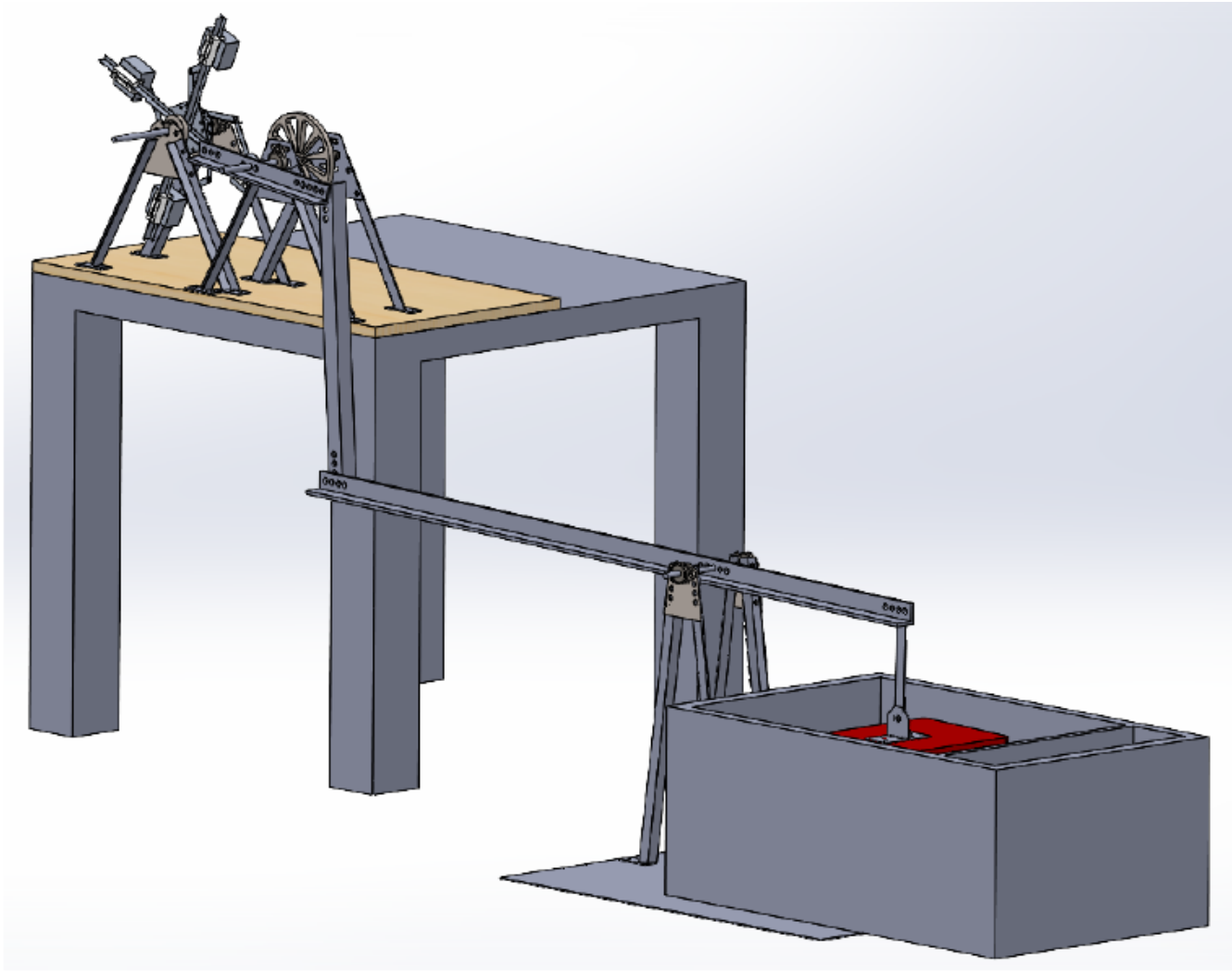
WB13



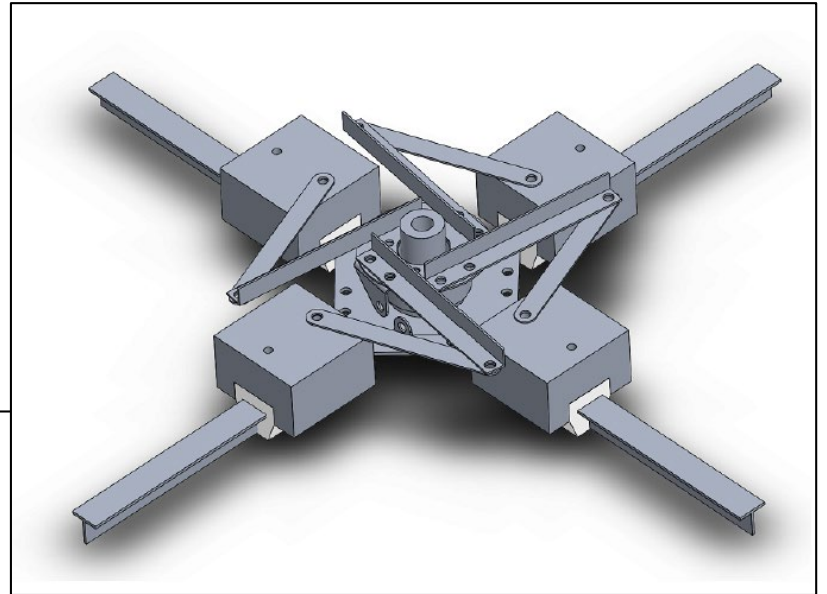
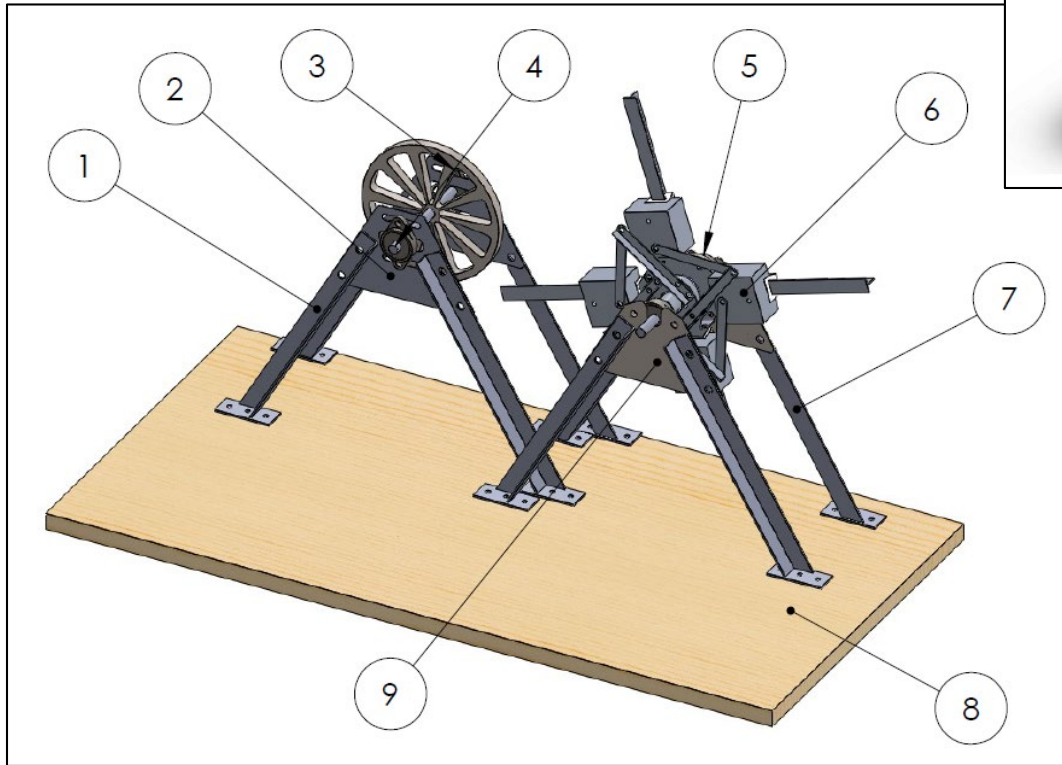
WB14



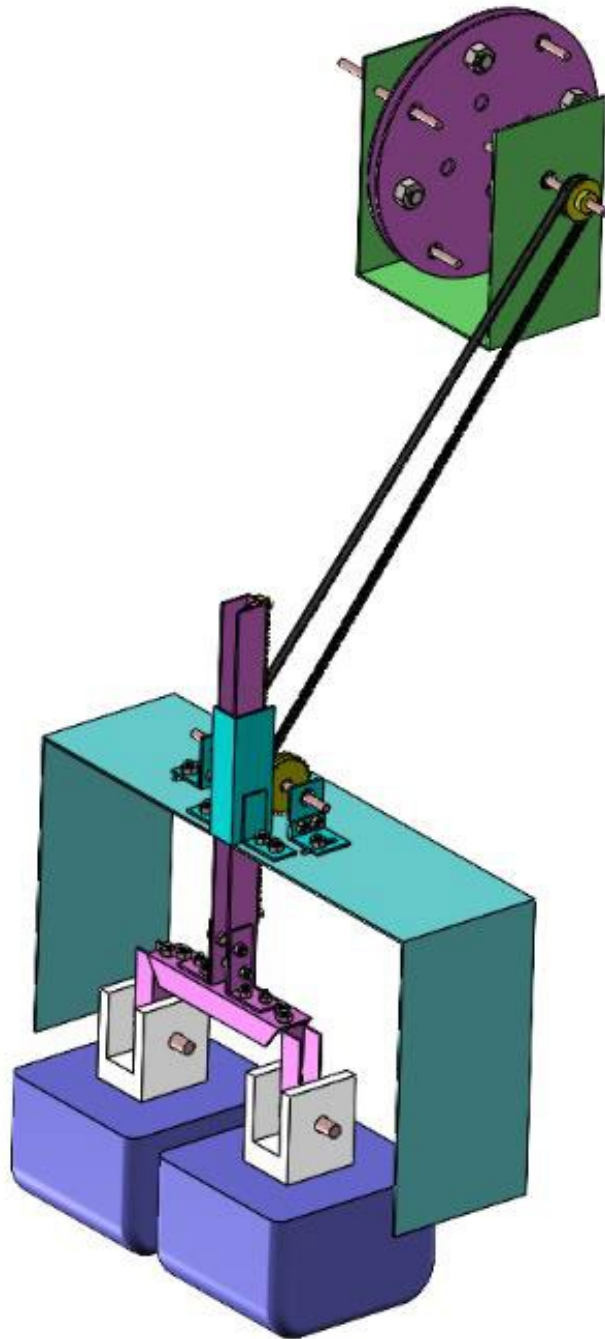
WB14



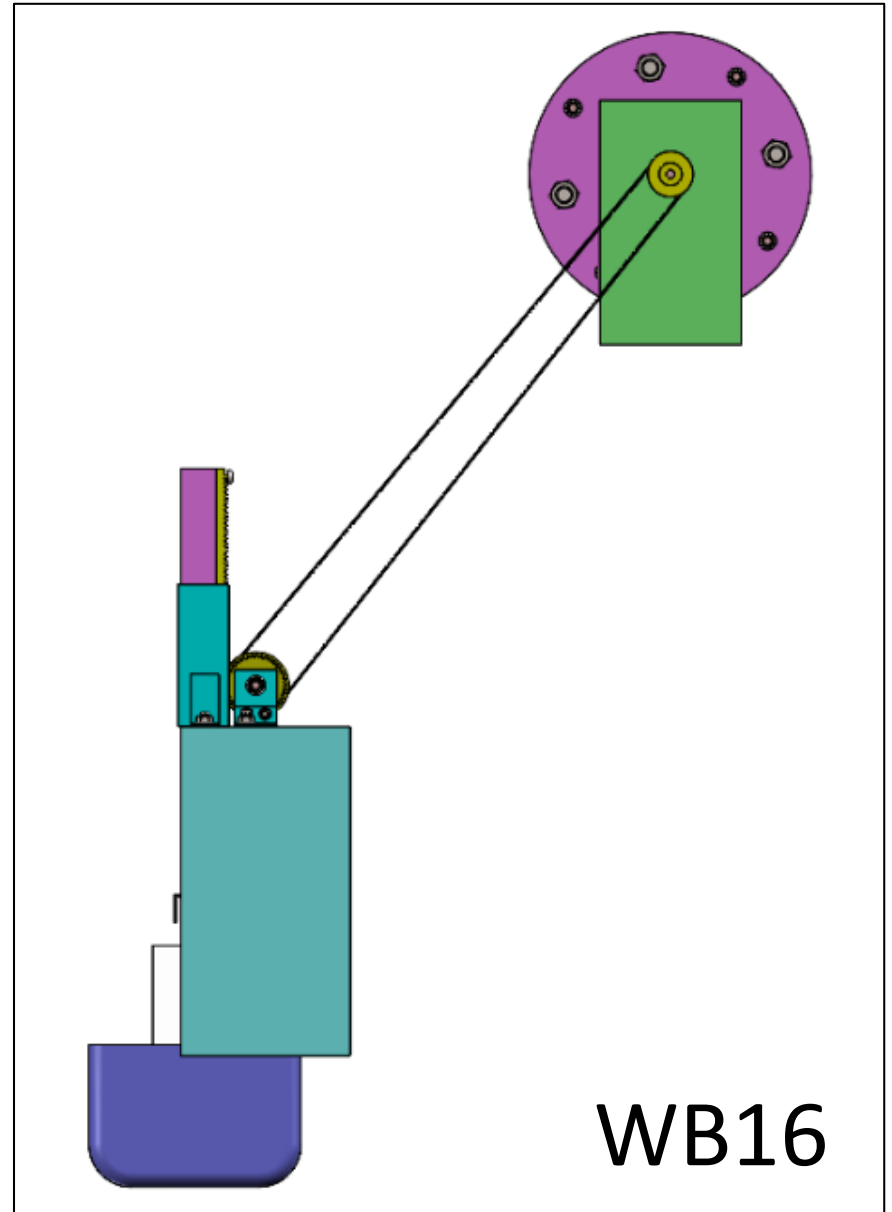
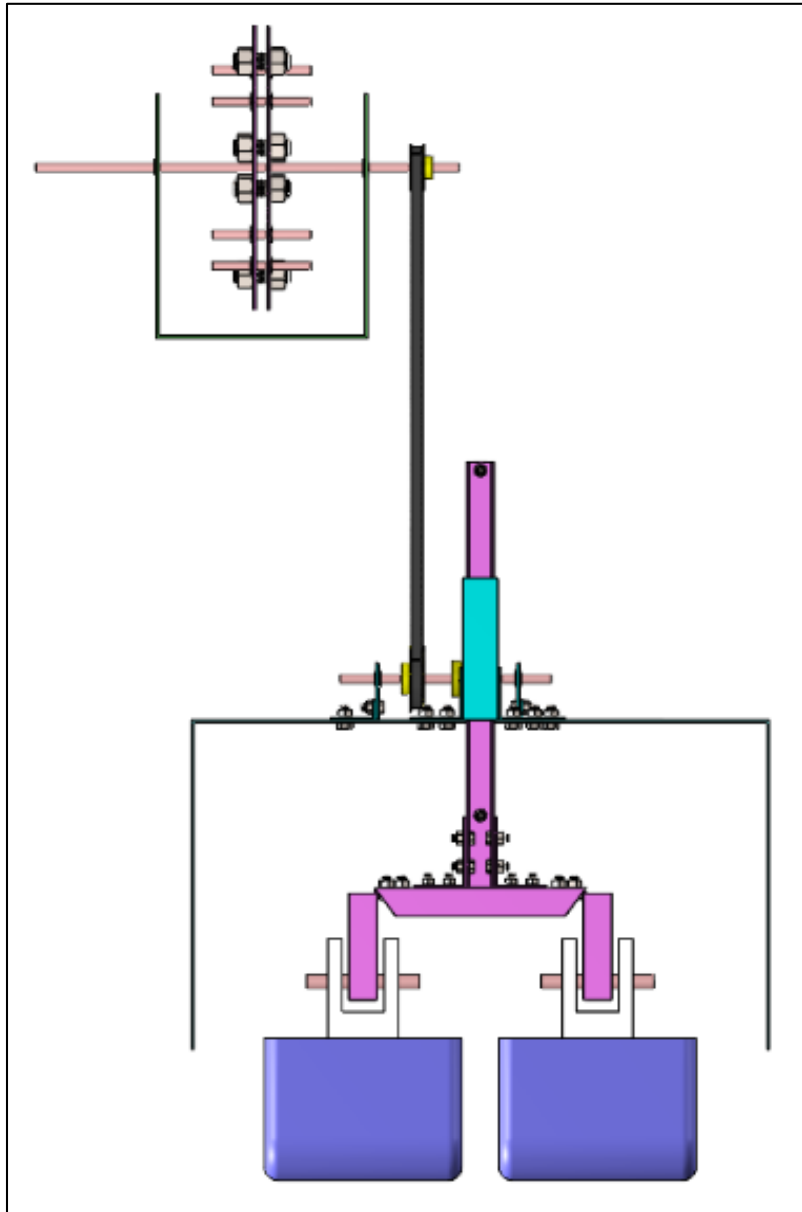
WB15

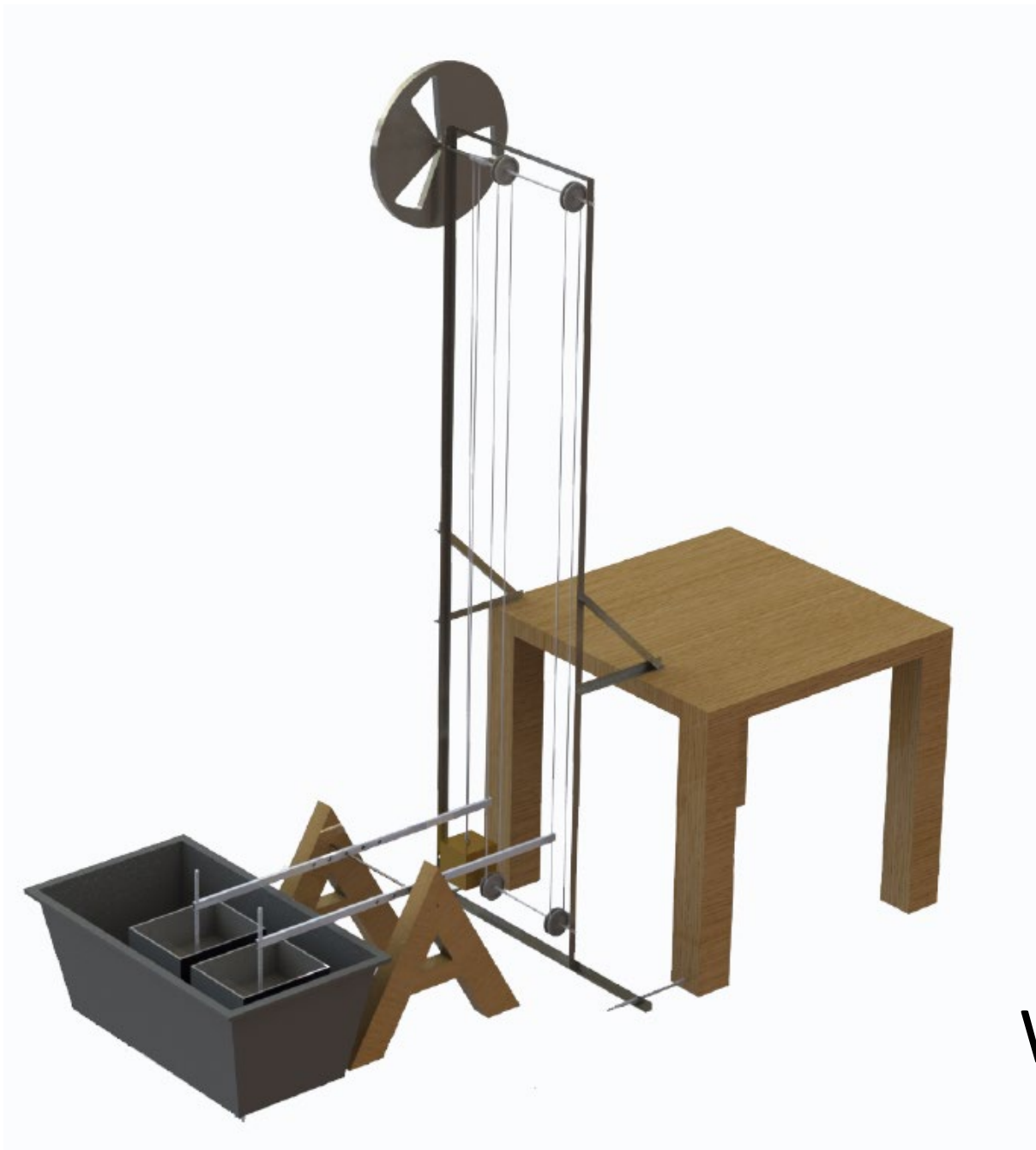


WB15

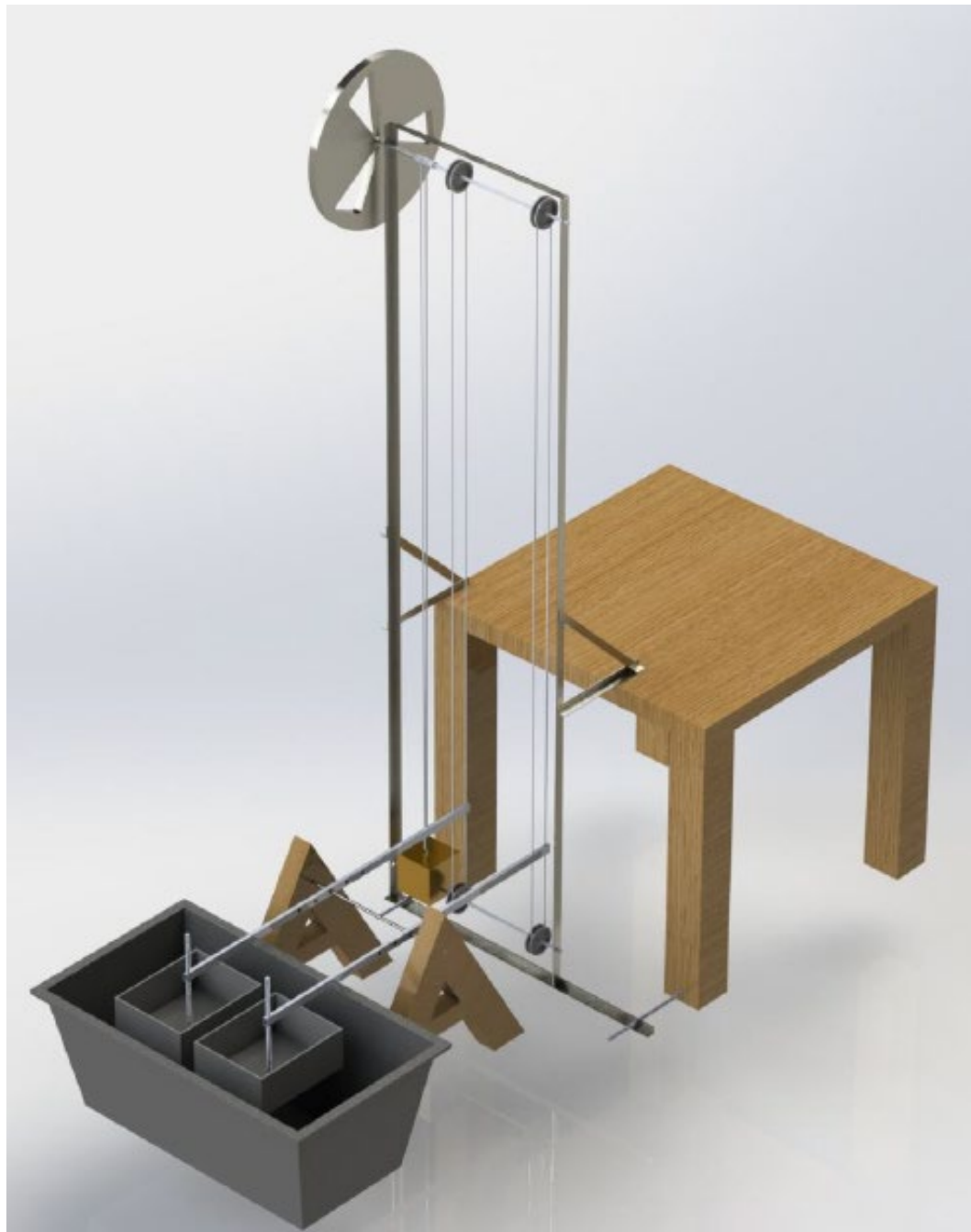


WB16

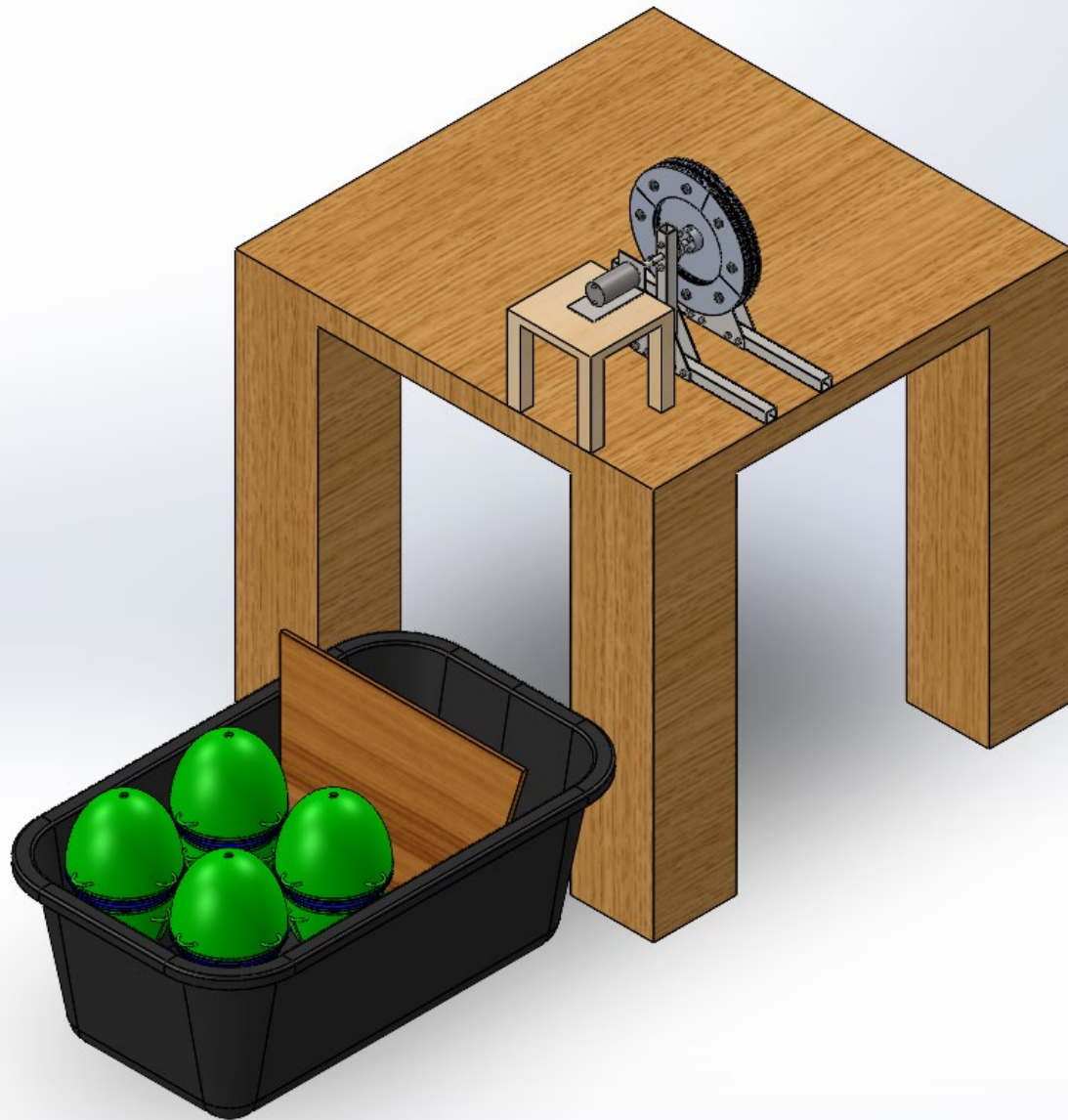




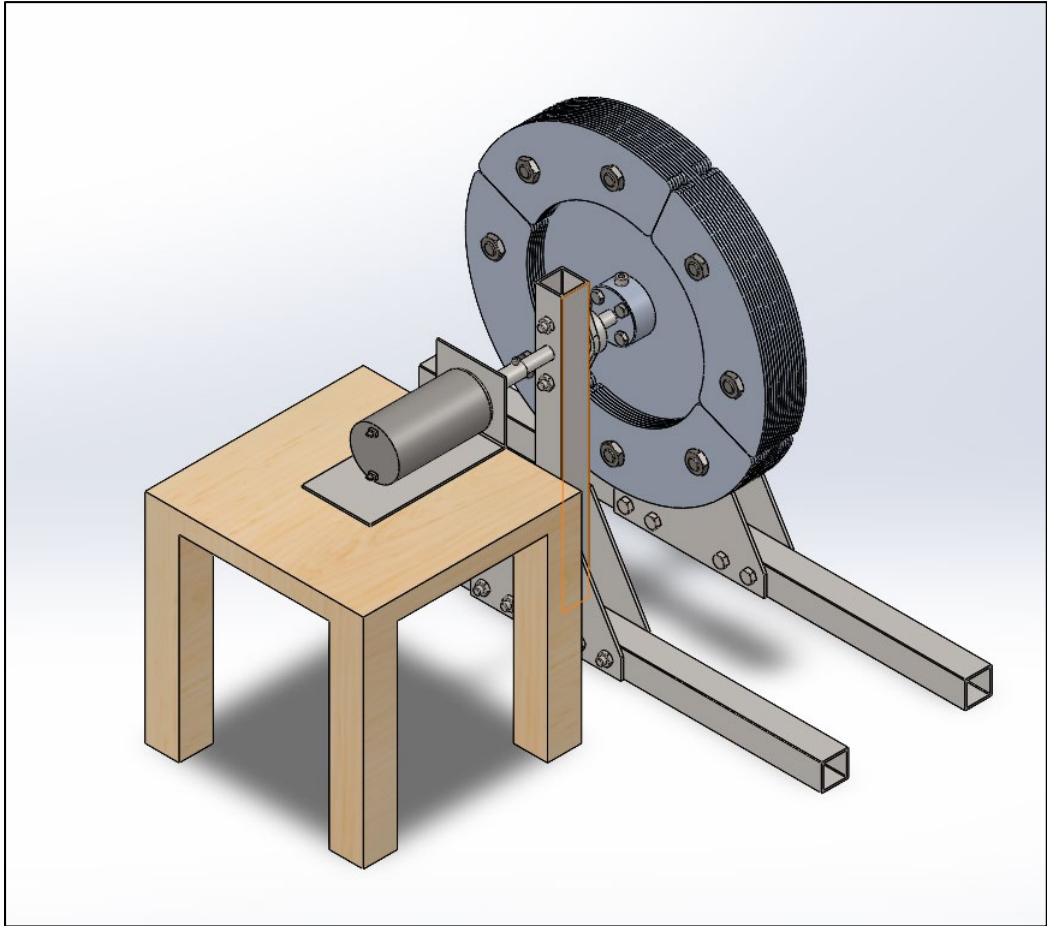
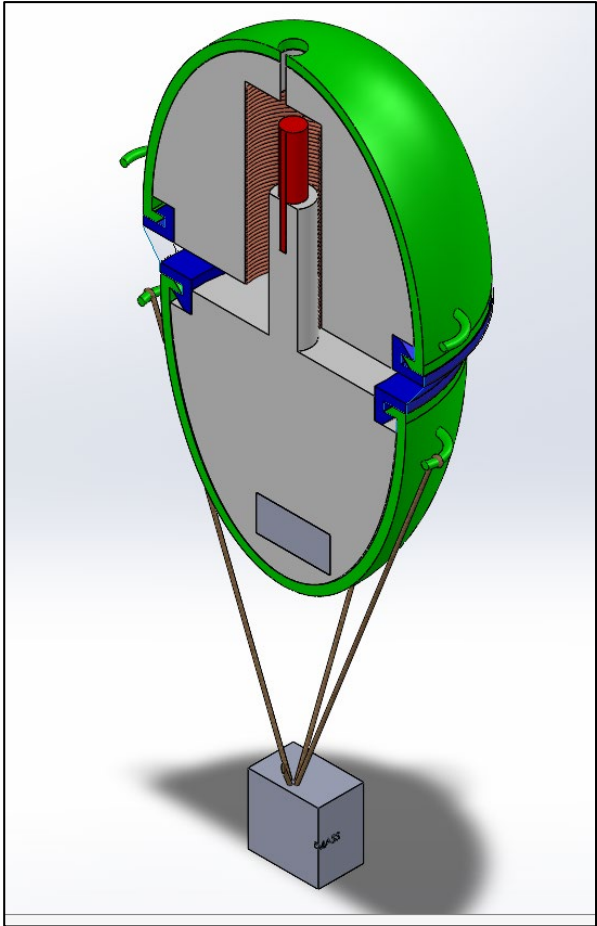
WB17



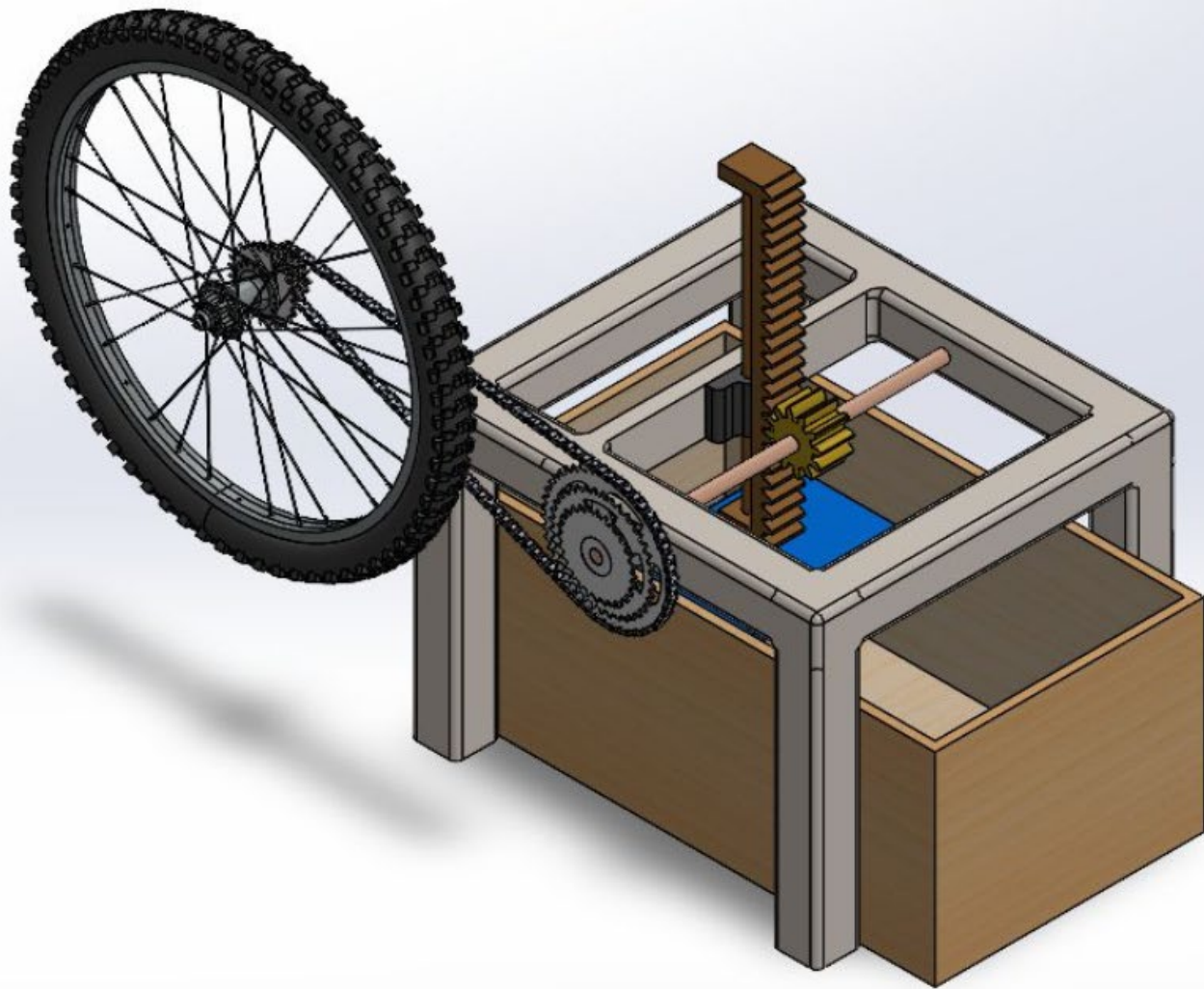
WB17



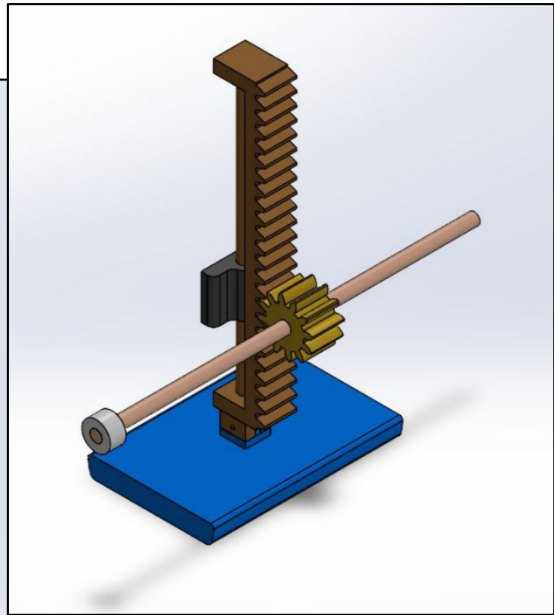
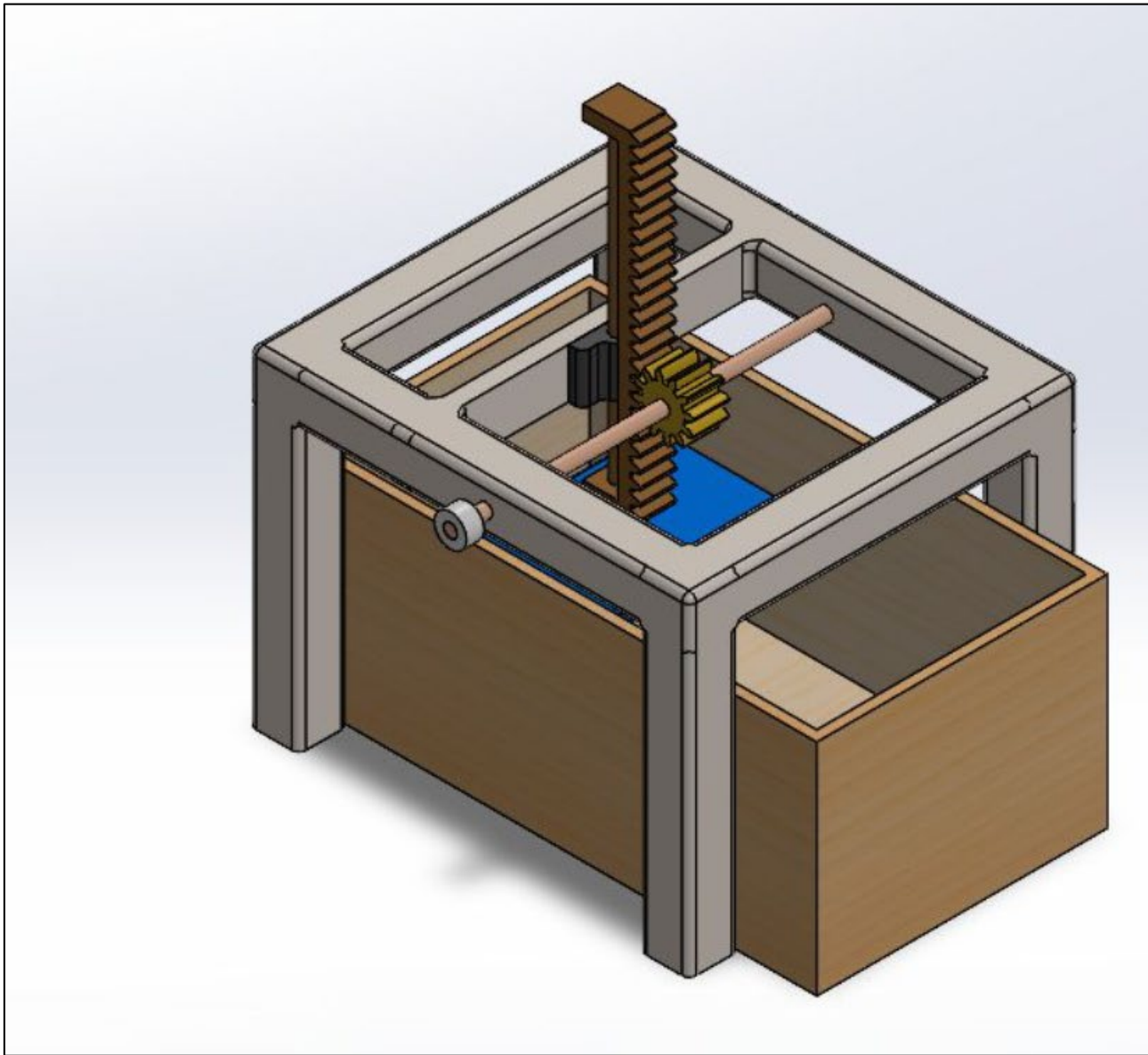
WB18



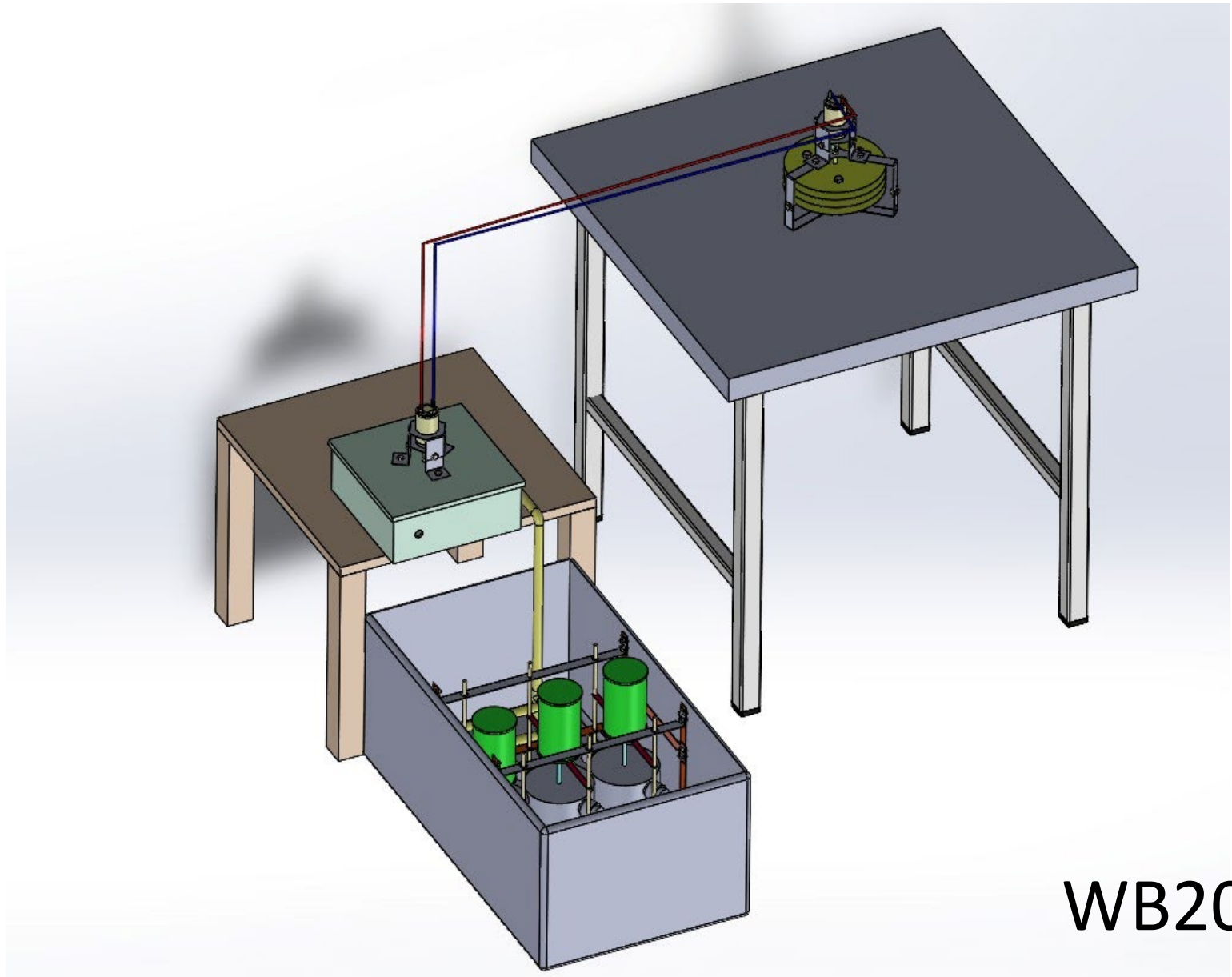
WB18



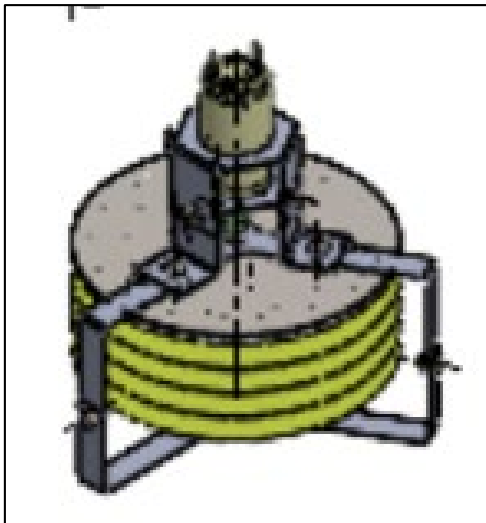
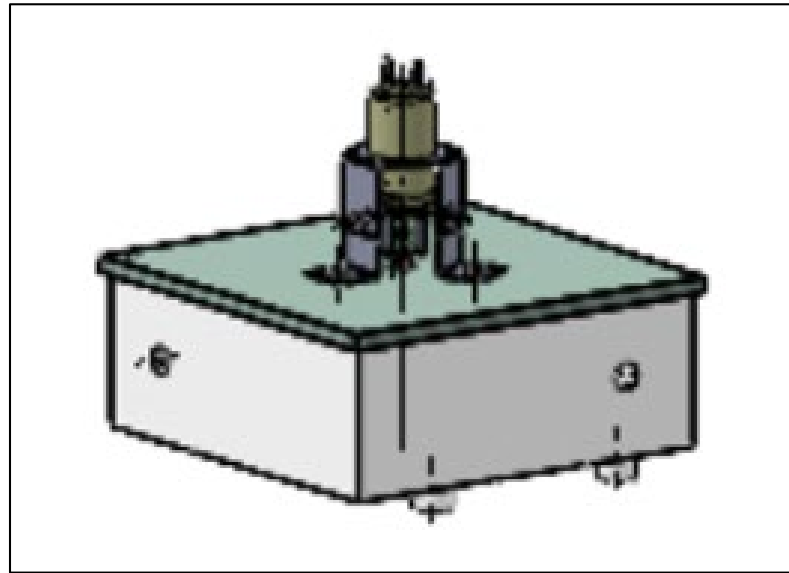
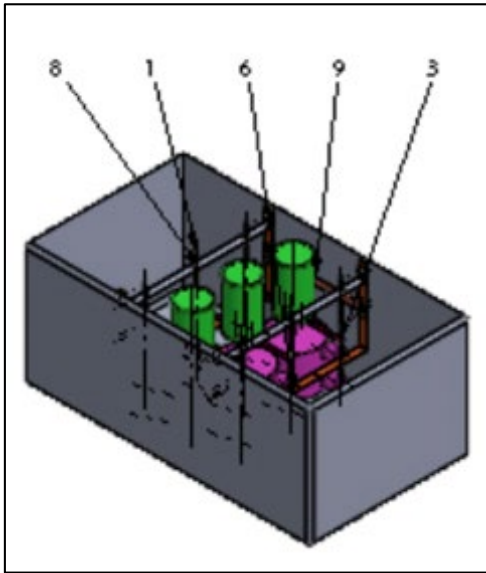
WB19



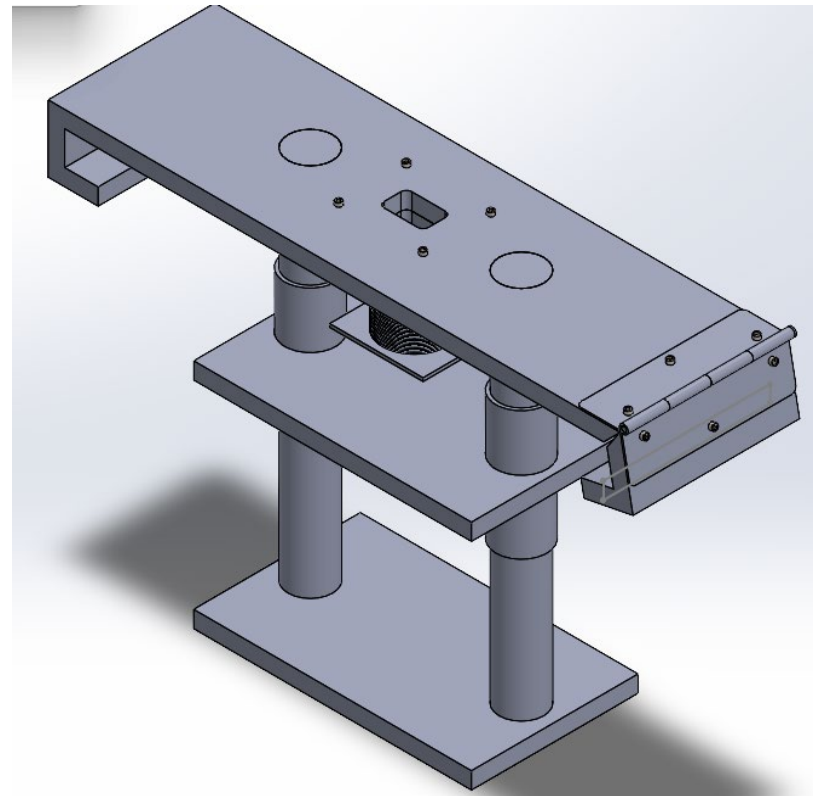
WB19



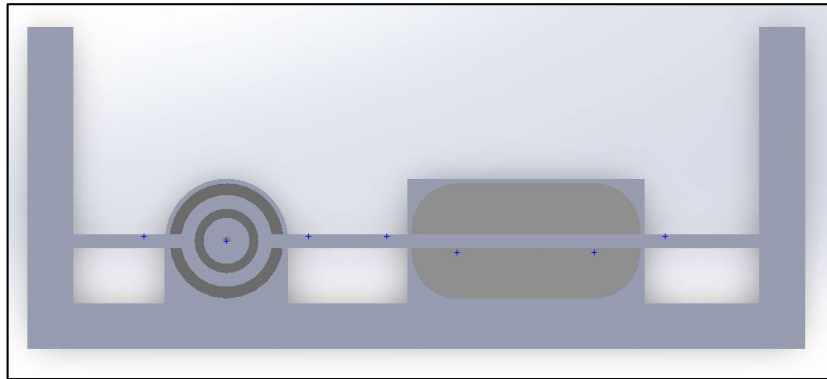
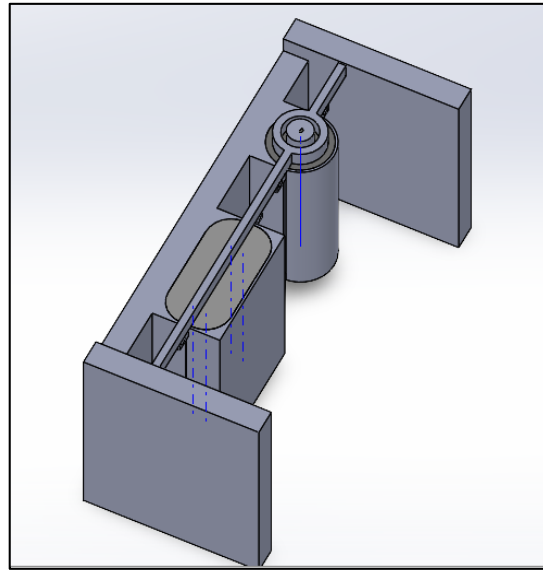
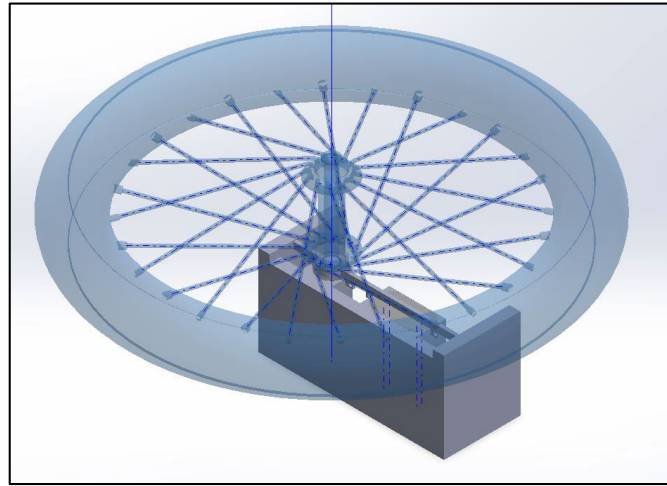
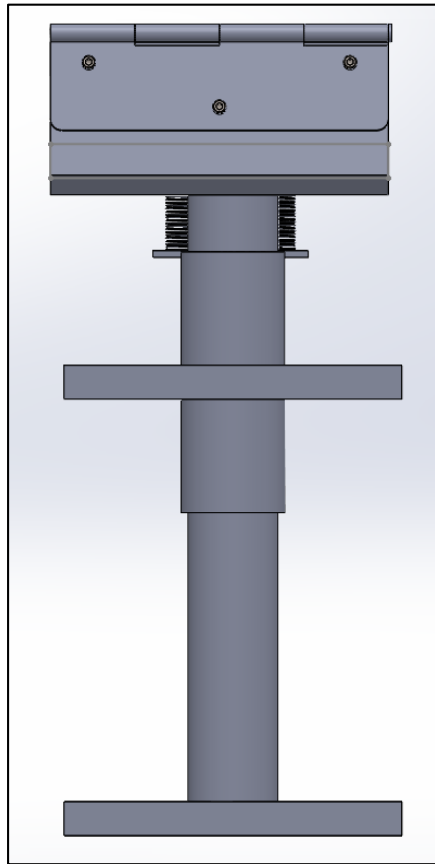
WB20



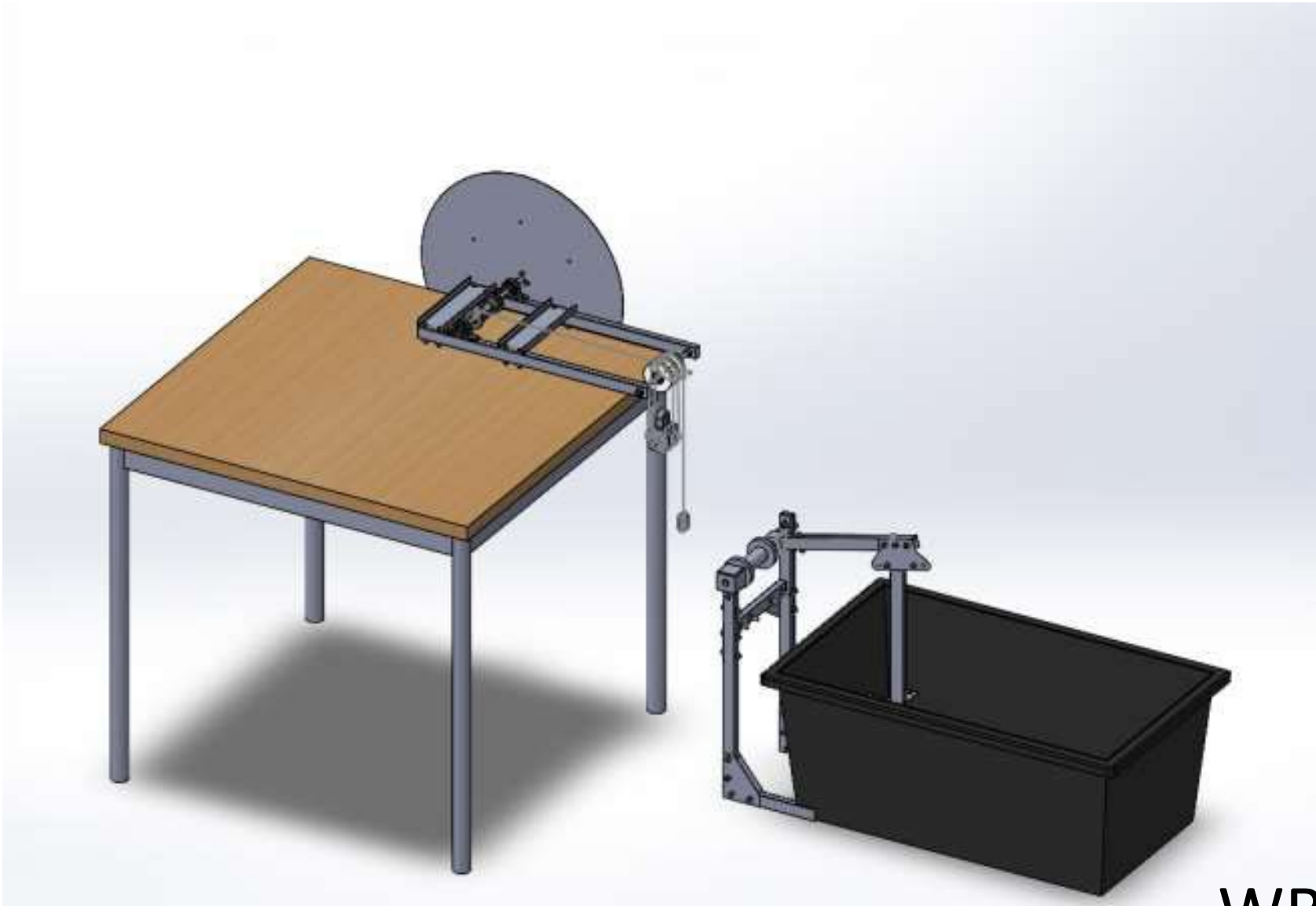
WB20



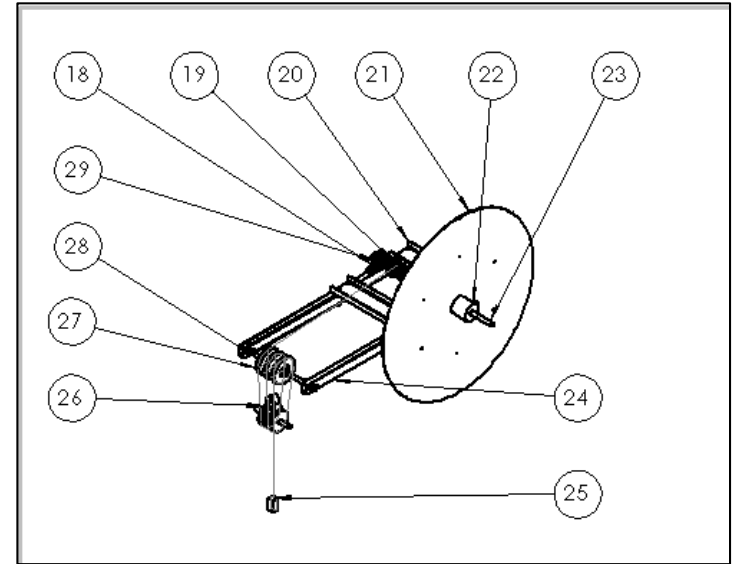
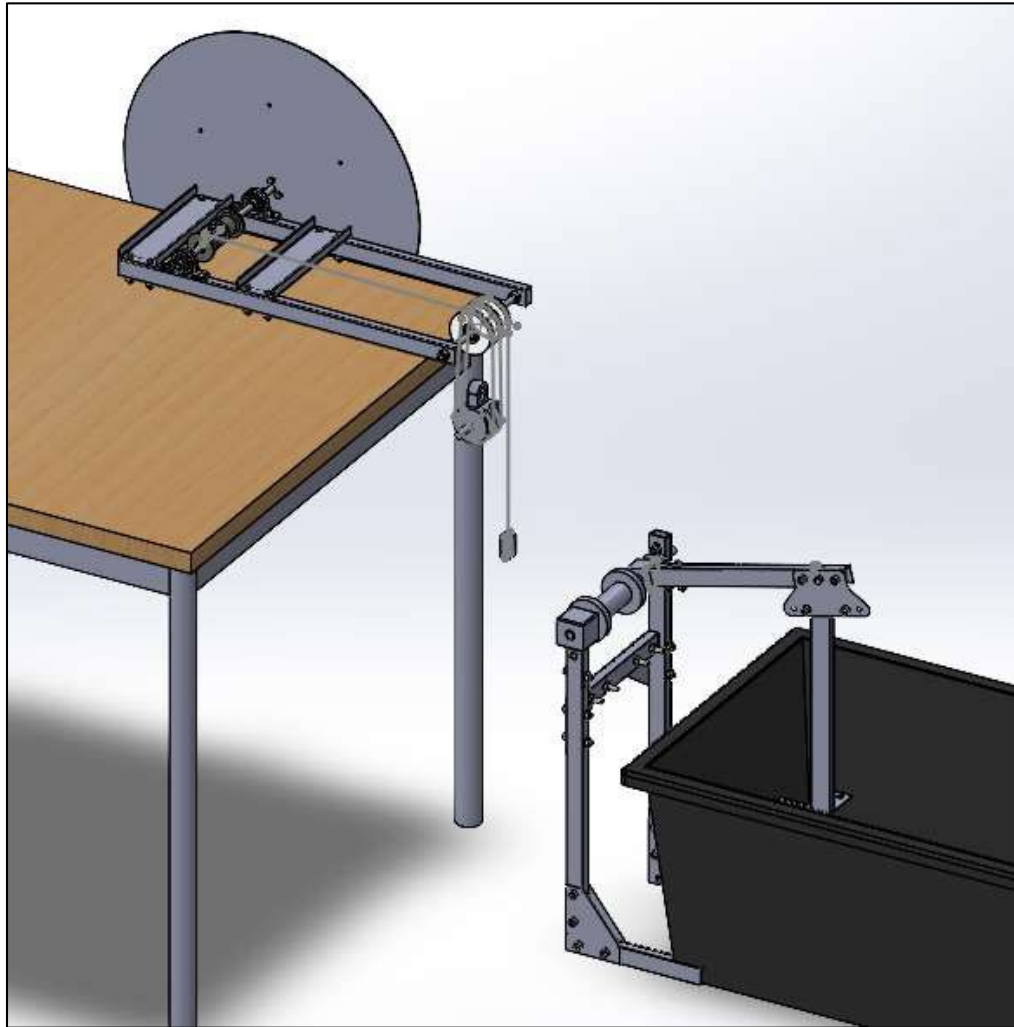
WB21



WB21



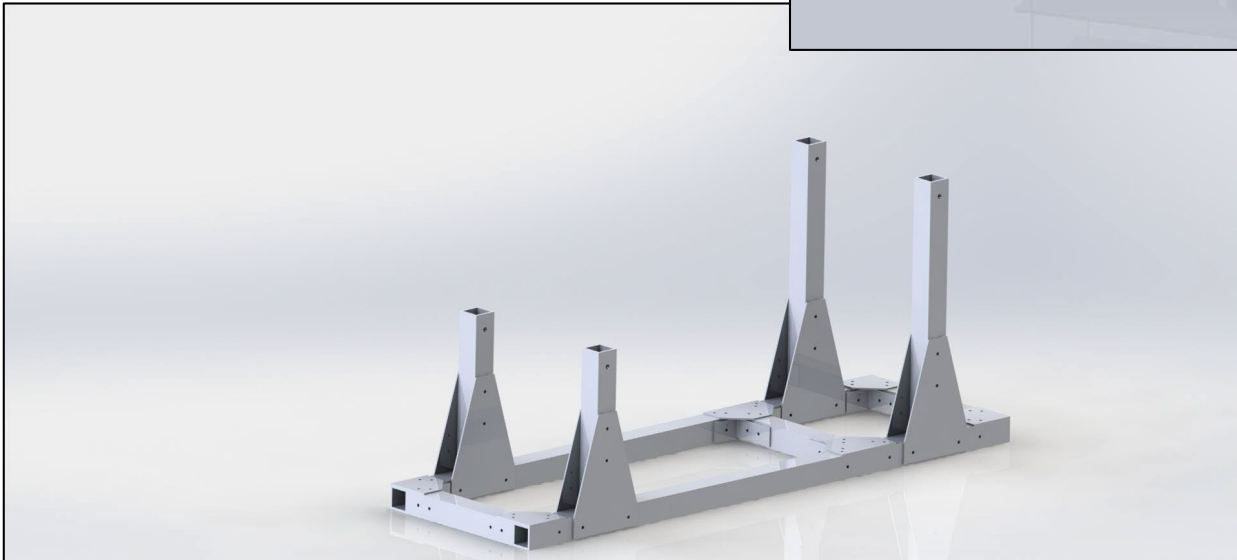
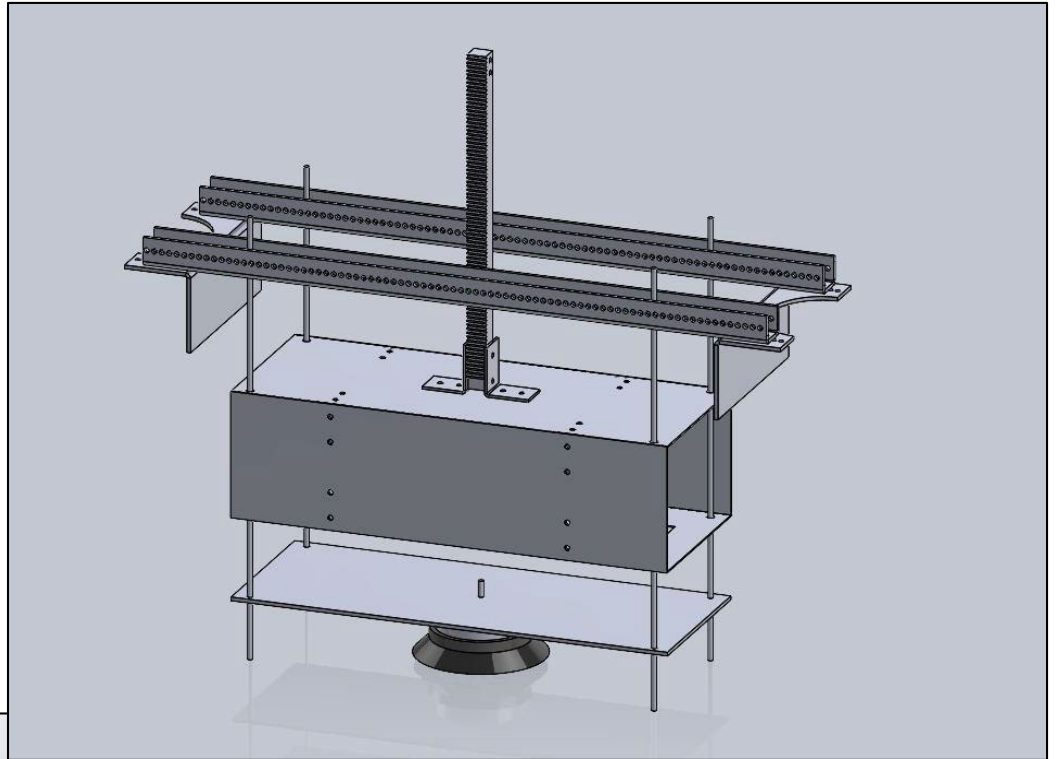
WB22



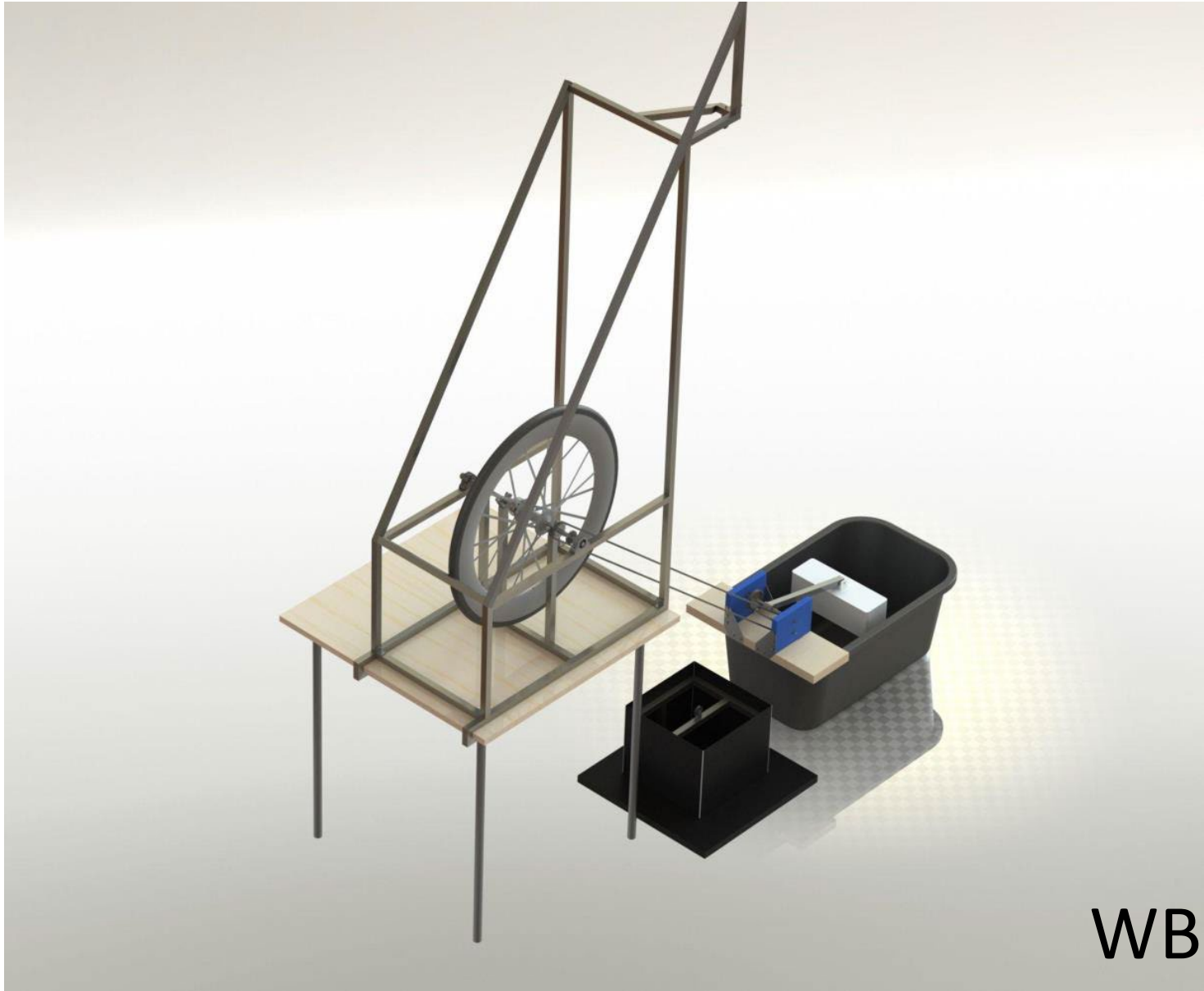
WB22



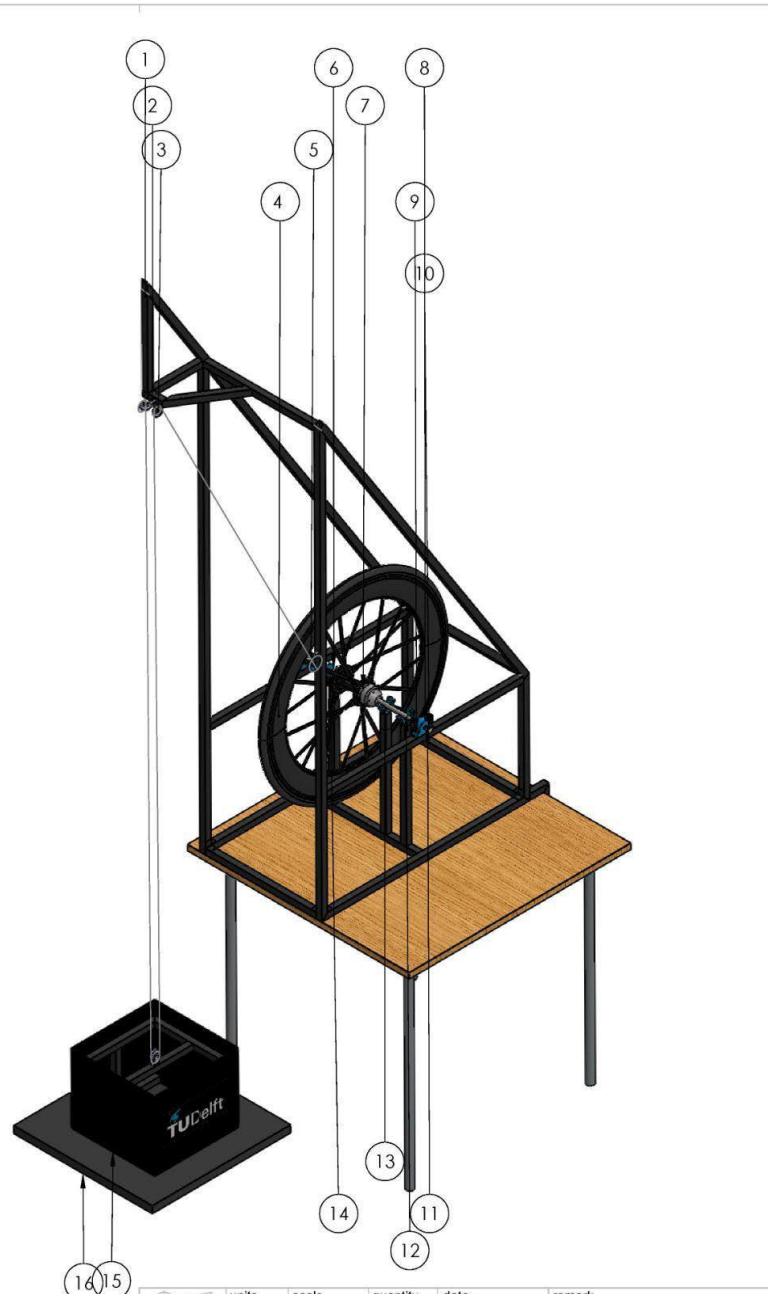
WB23



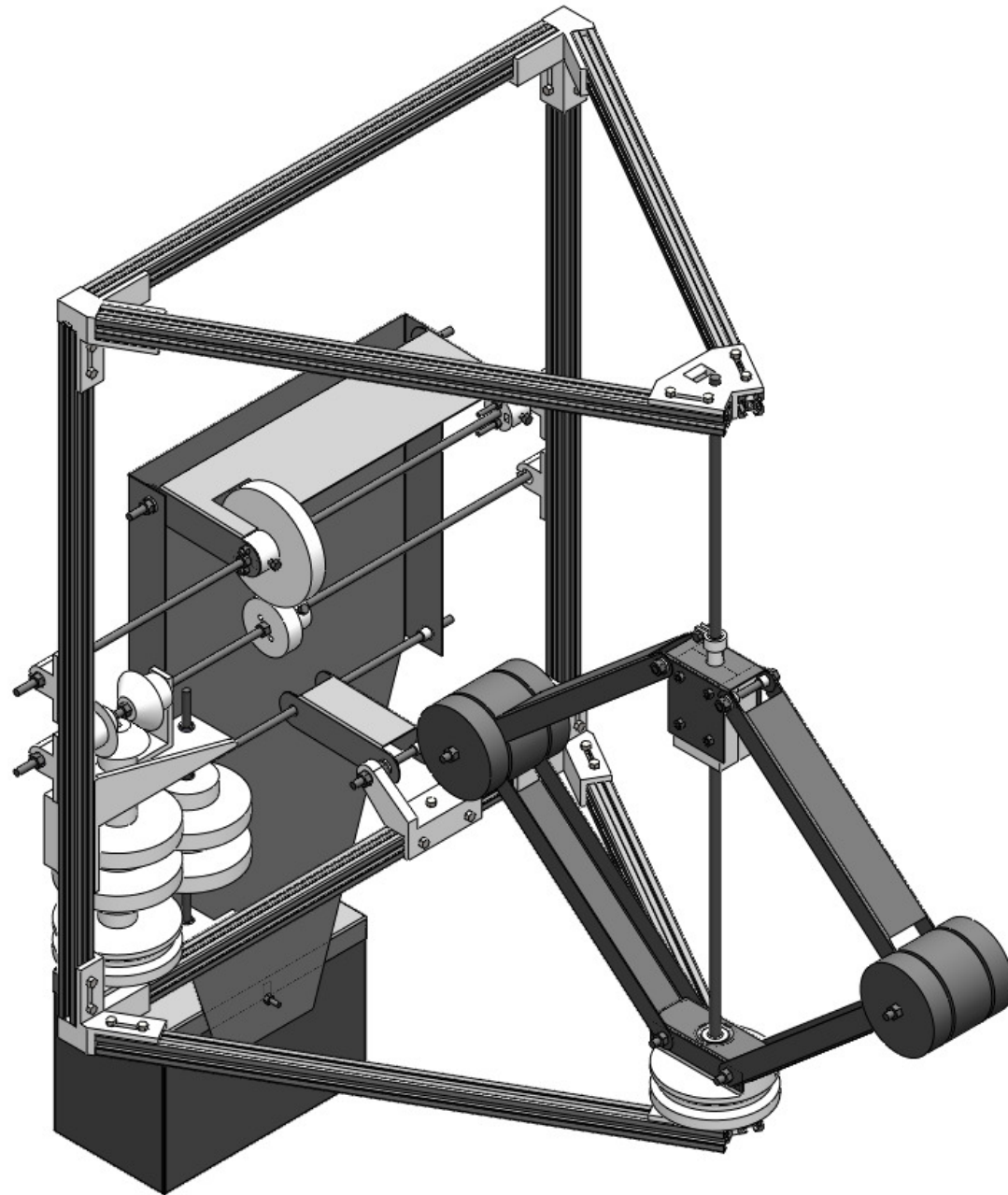
WB23



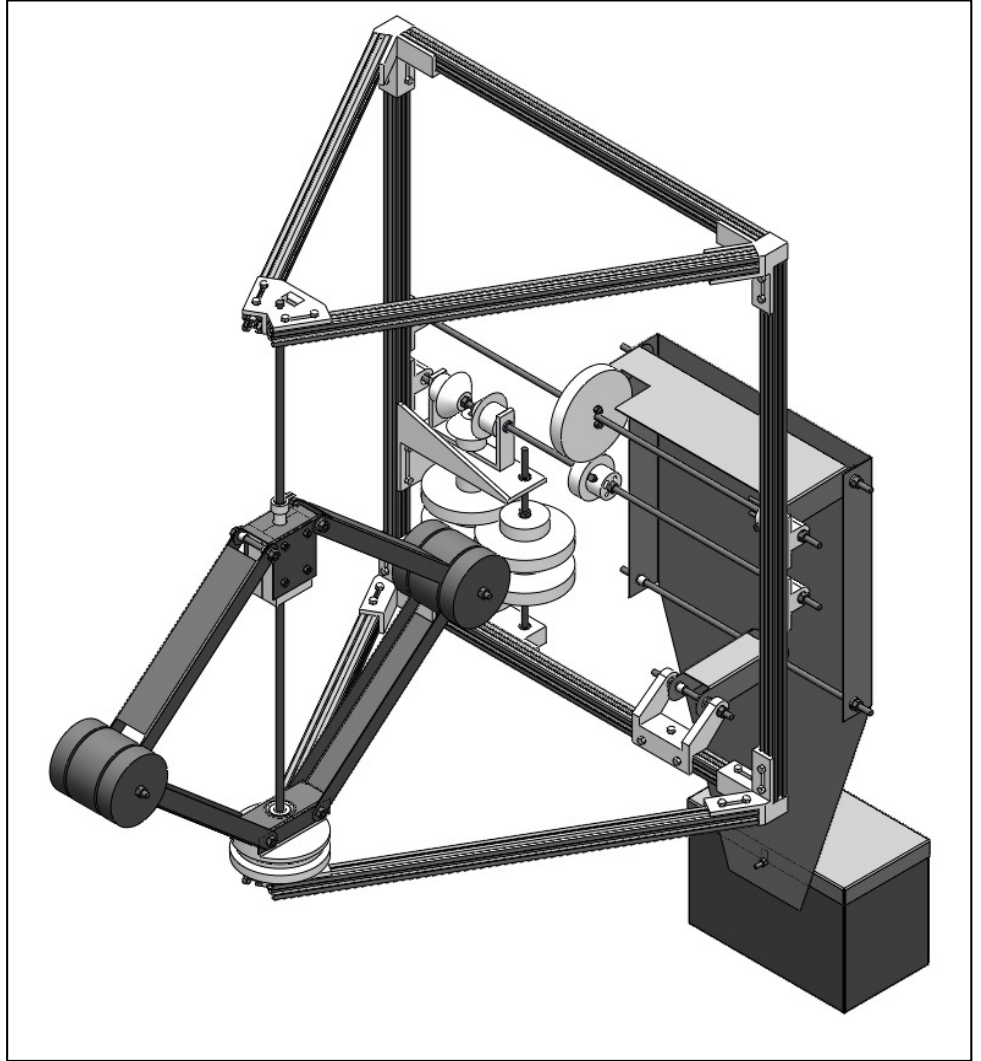
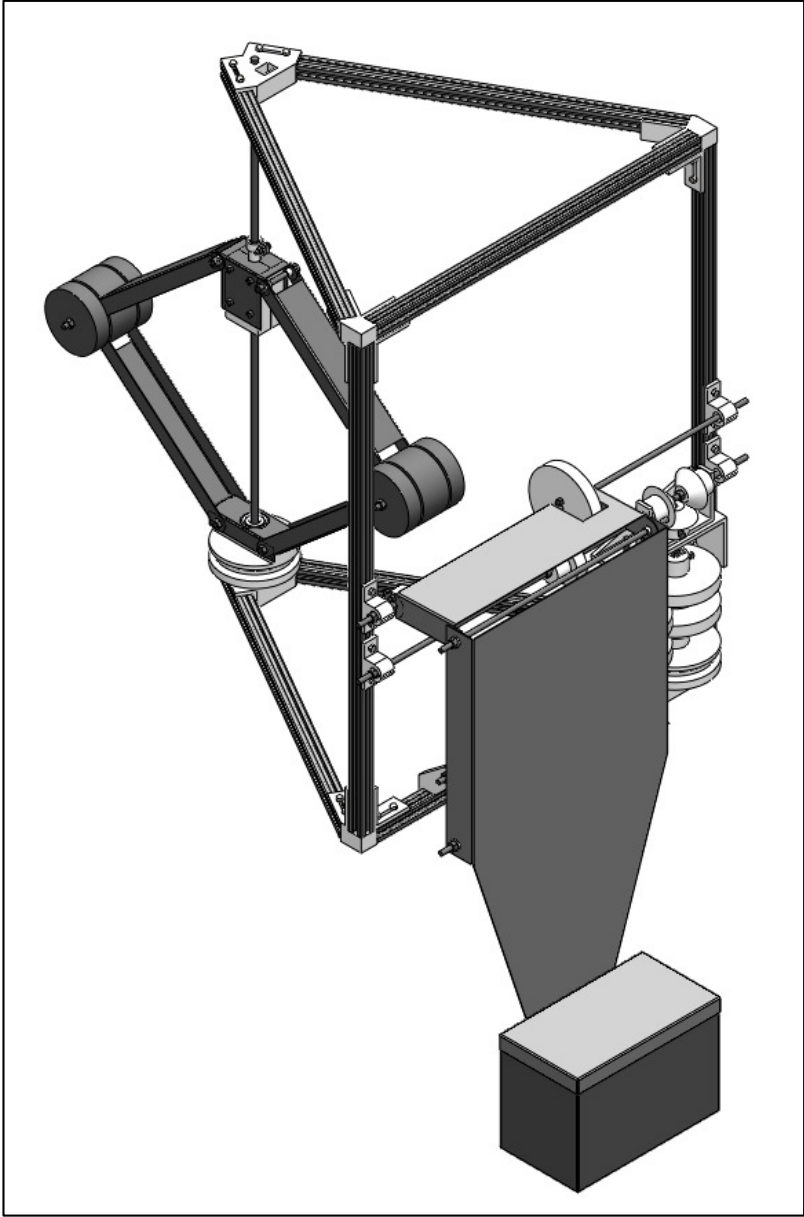
WB24



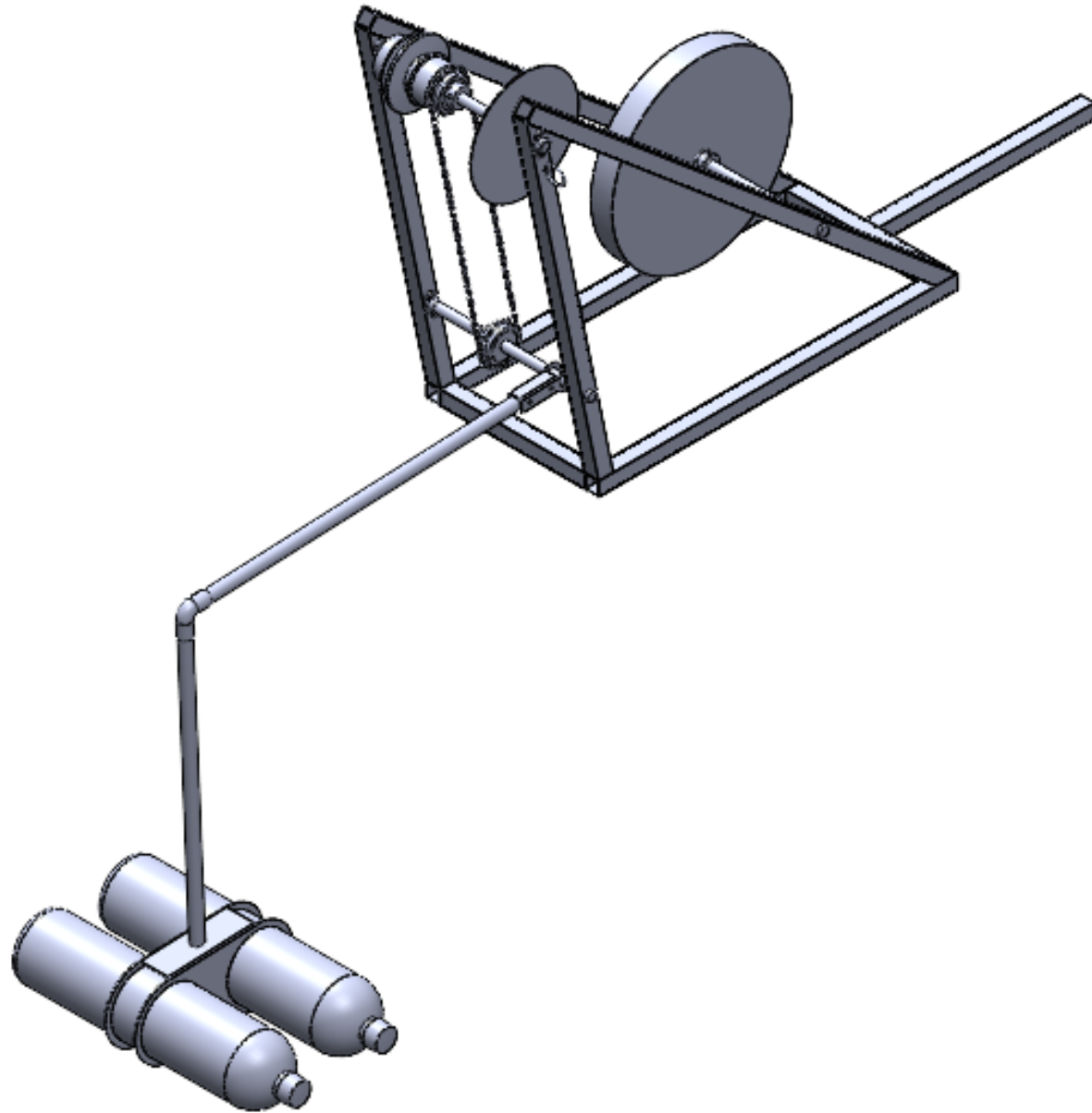
WB24



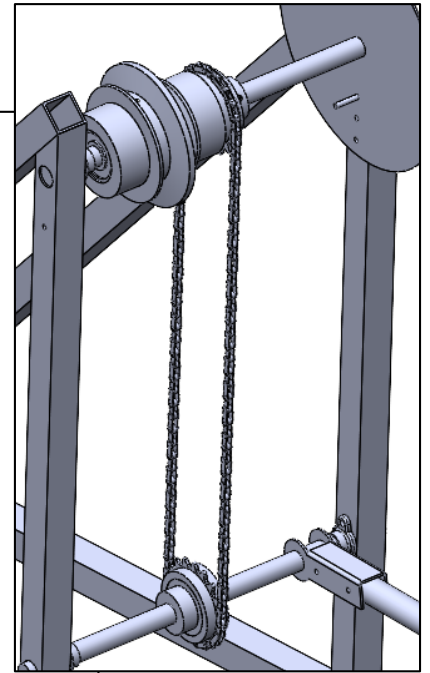
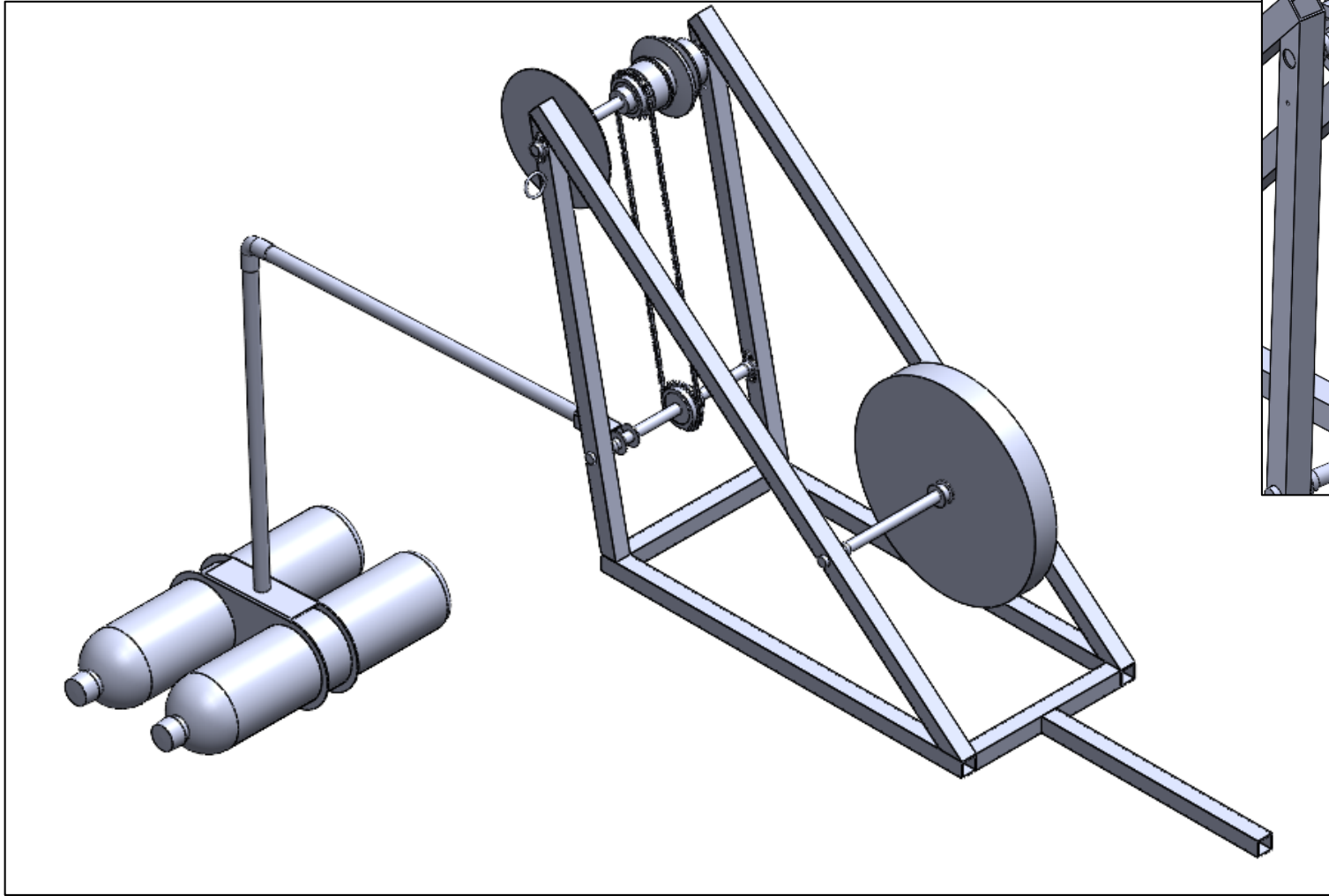
WB25



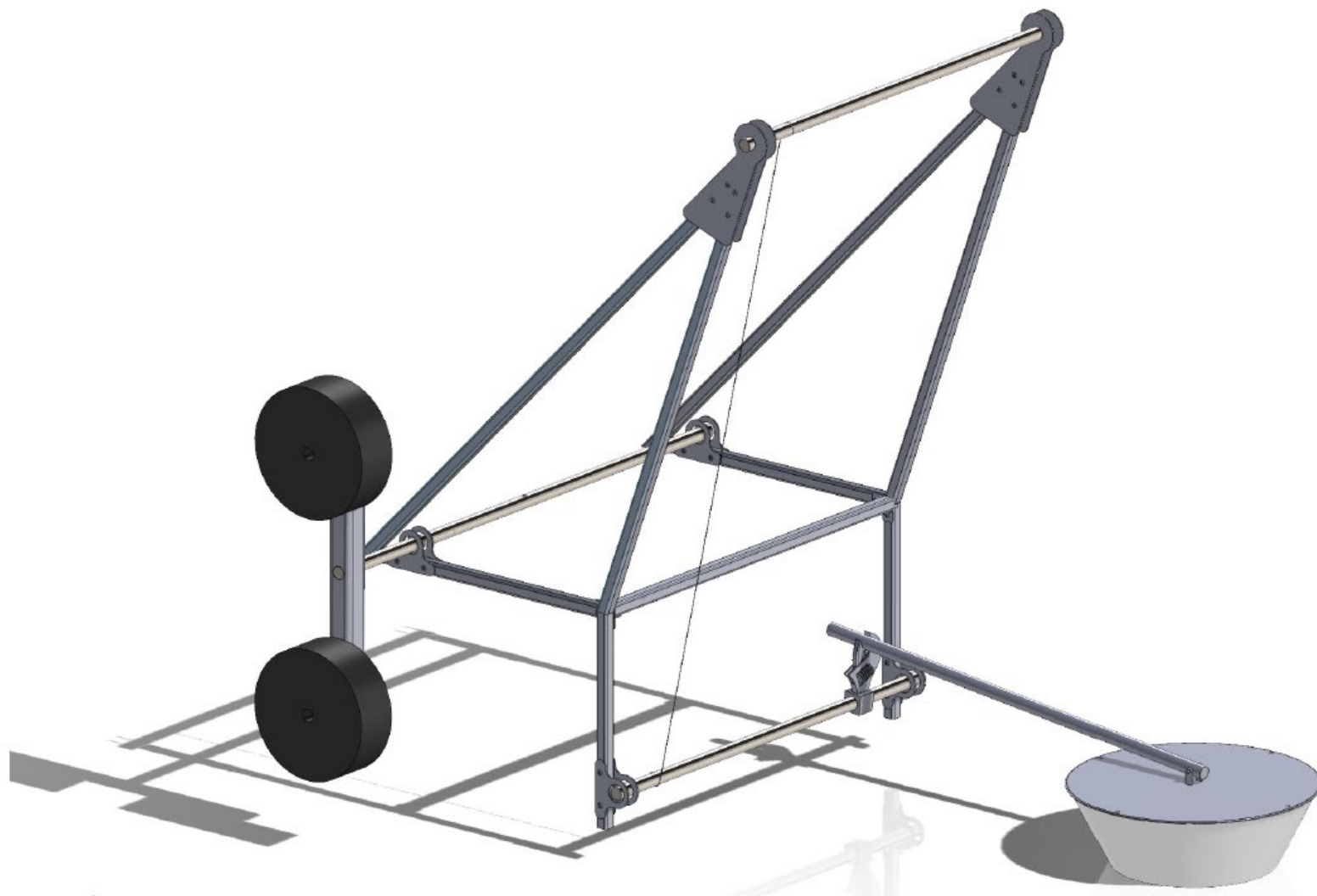
WB25



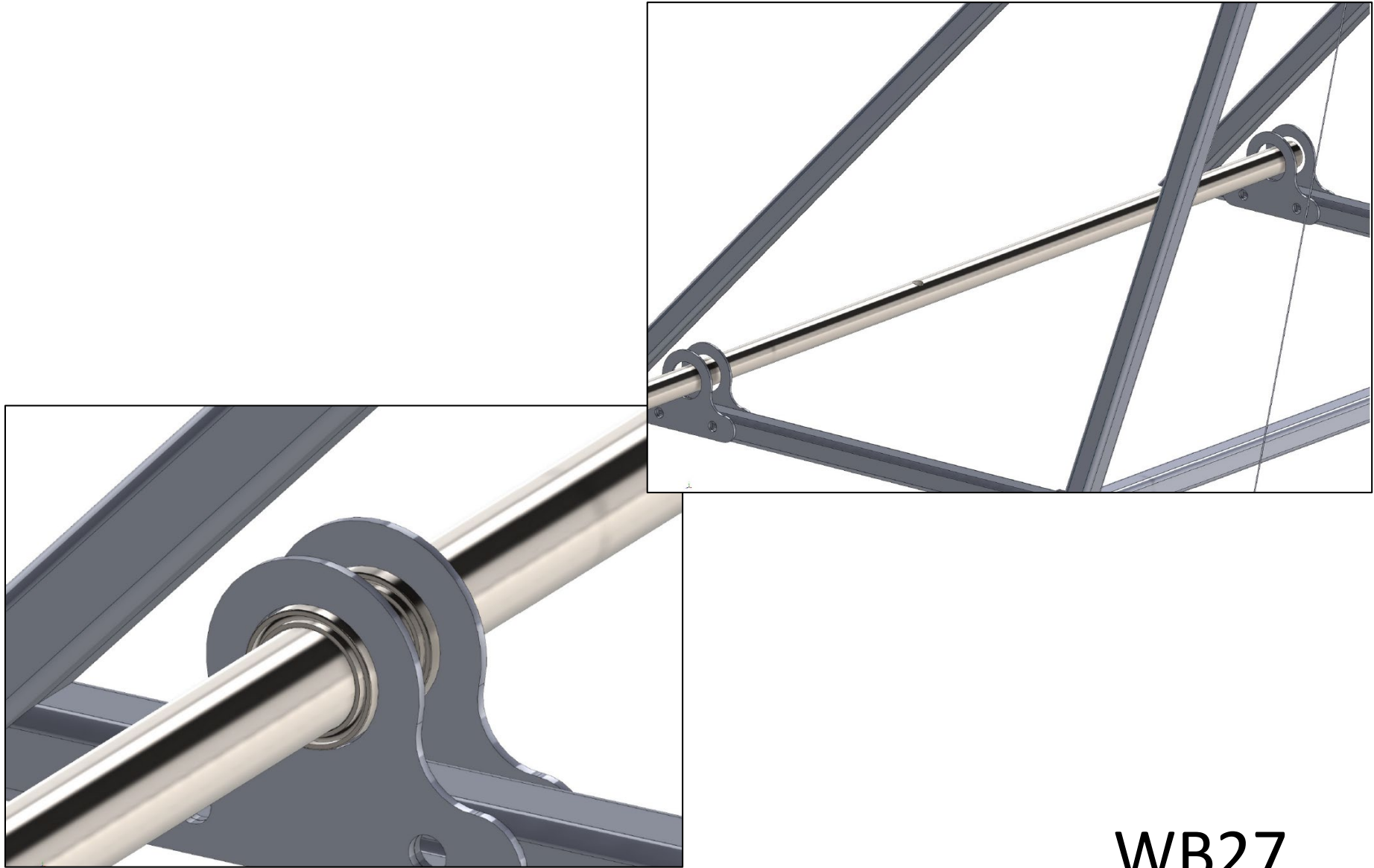
WB26



WB26



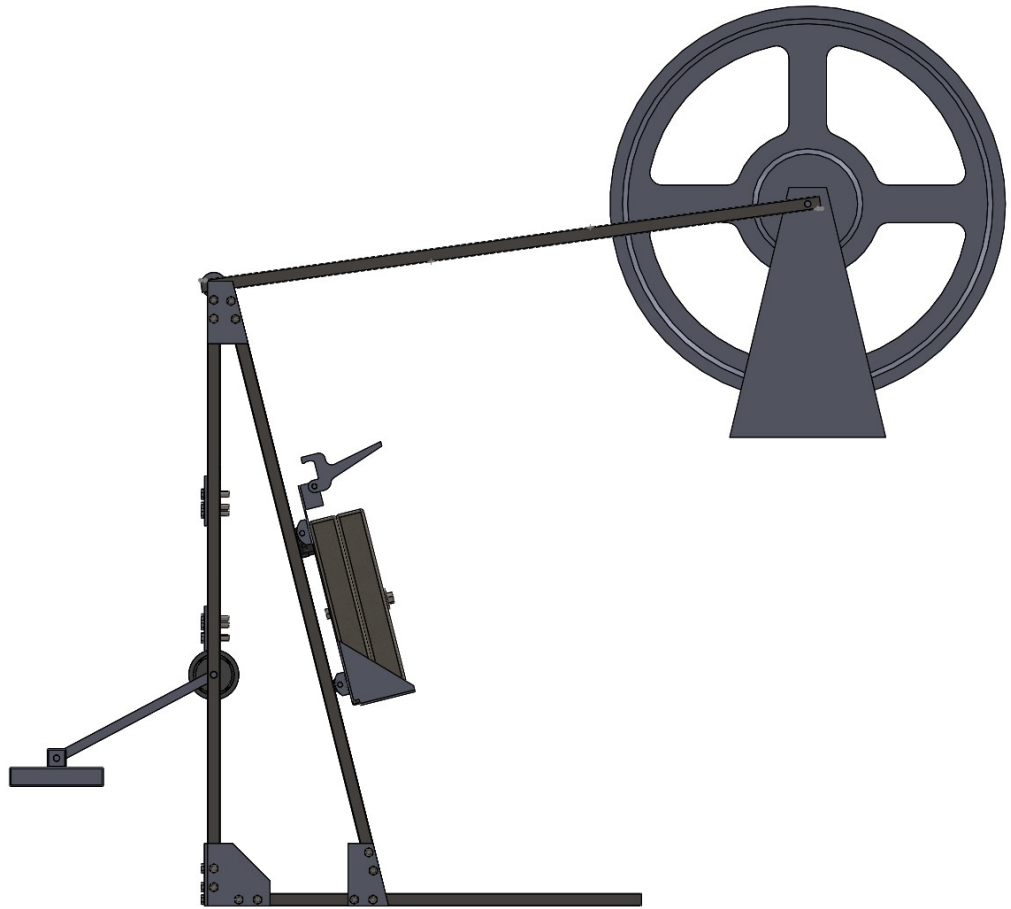
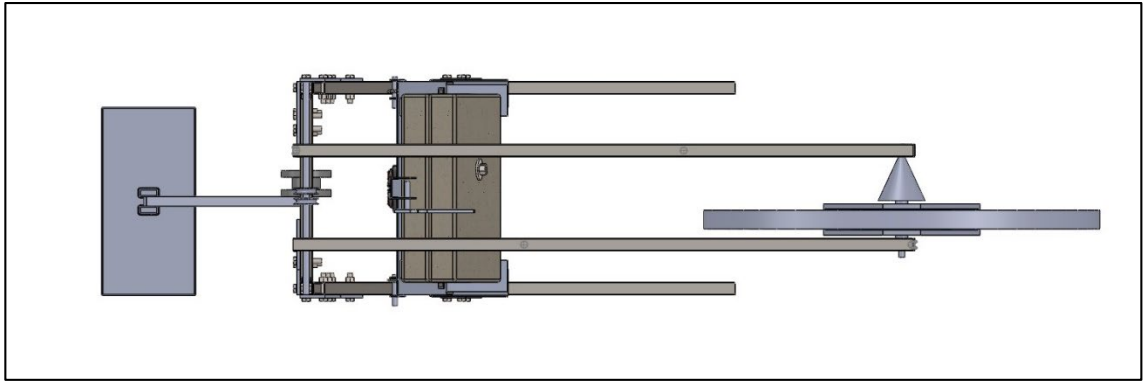
WB27



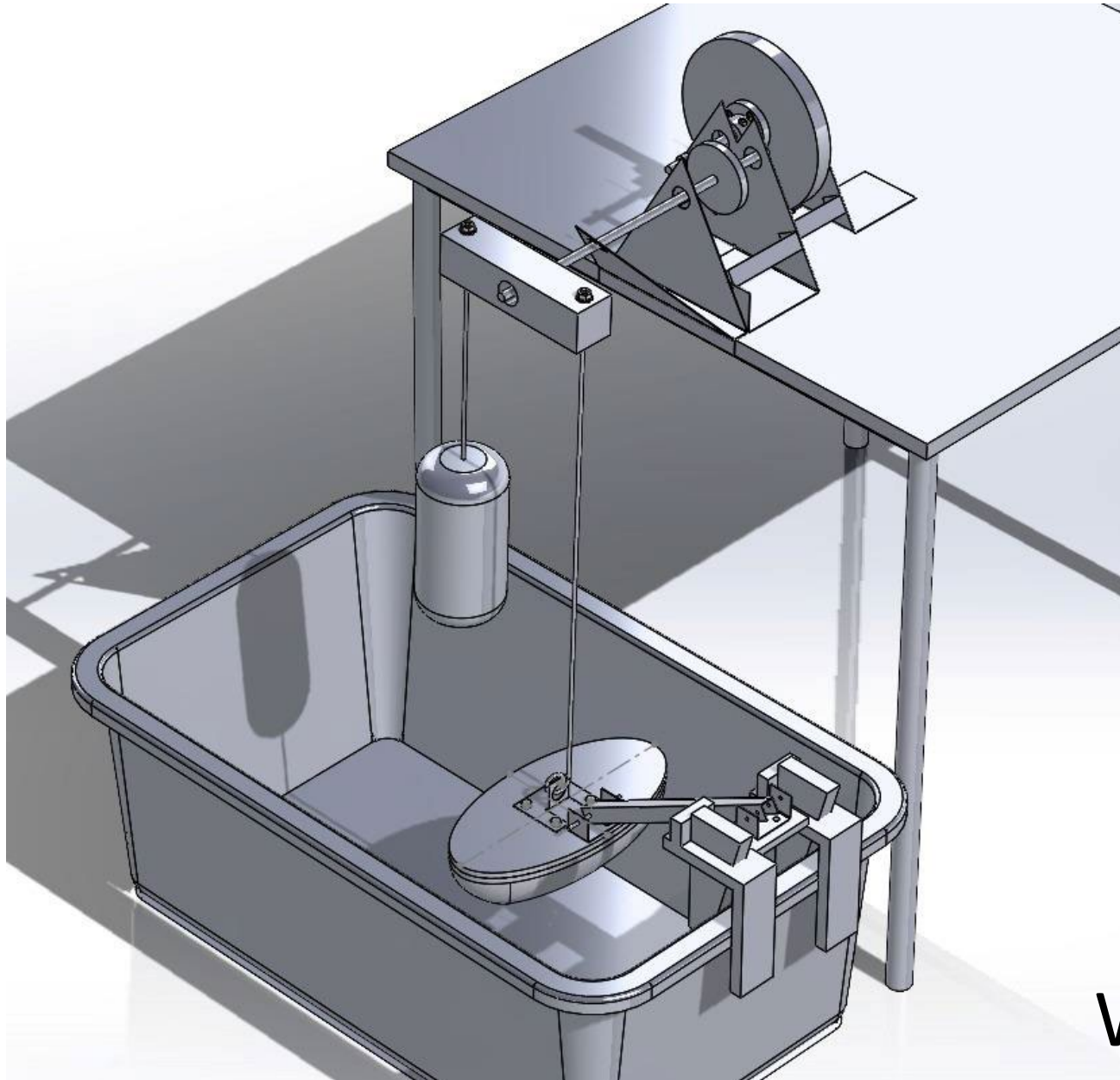
WB27



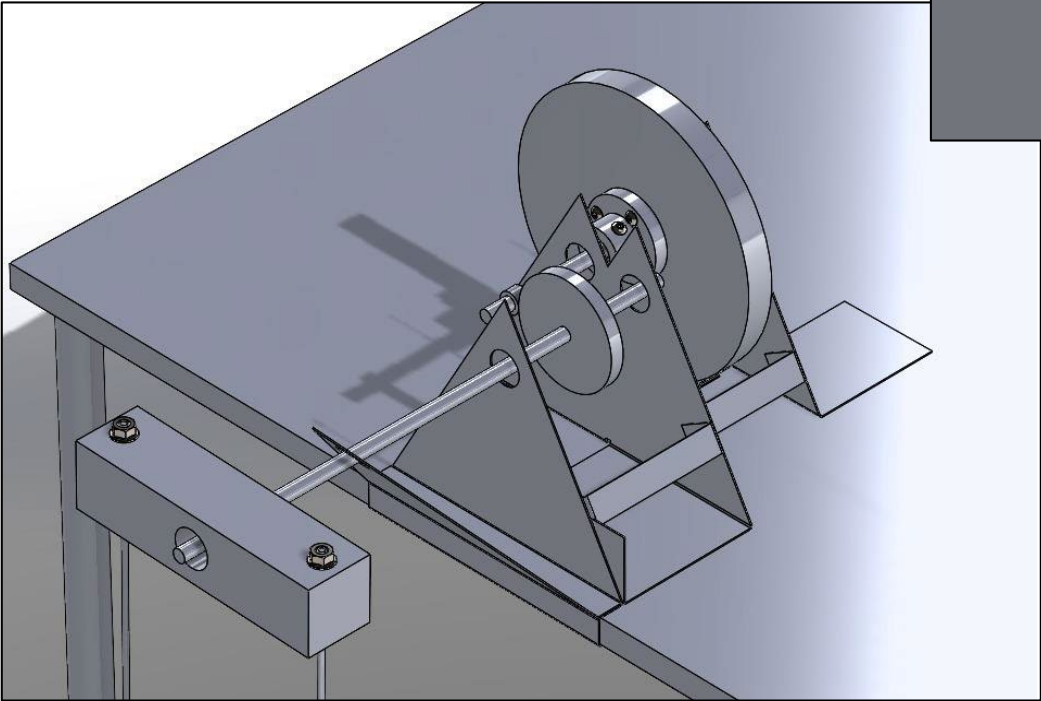
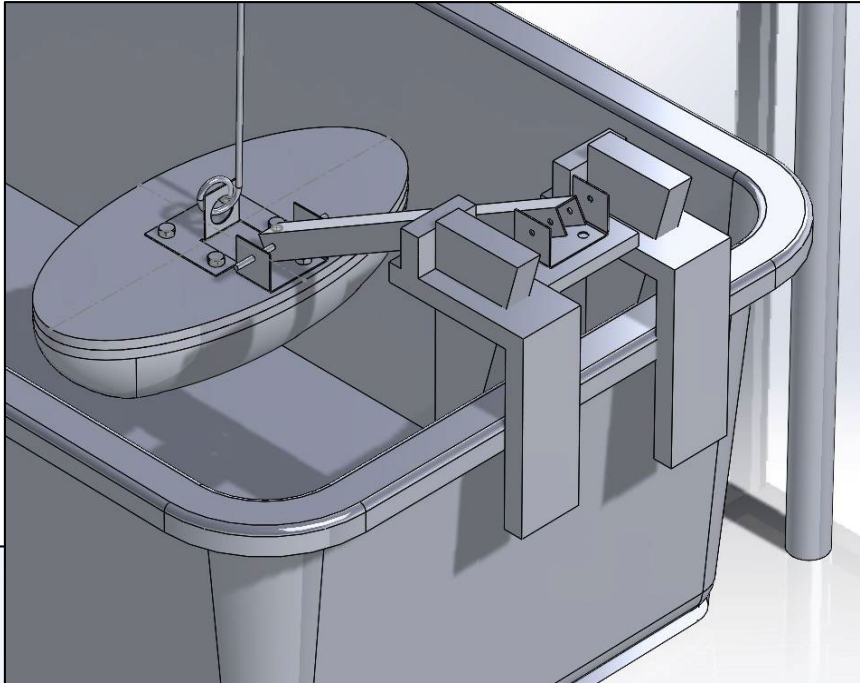
WB28



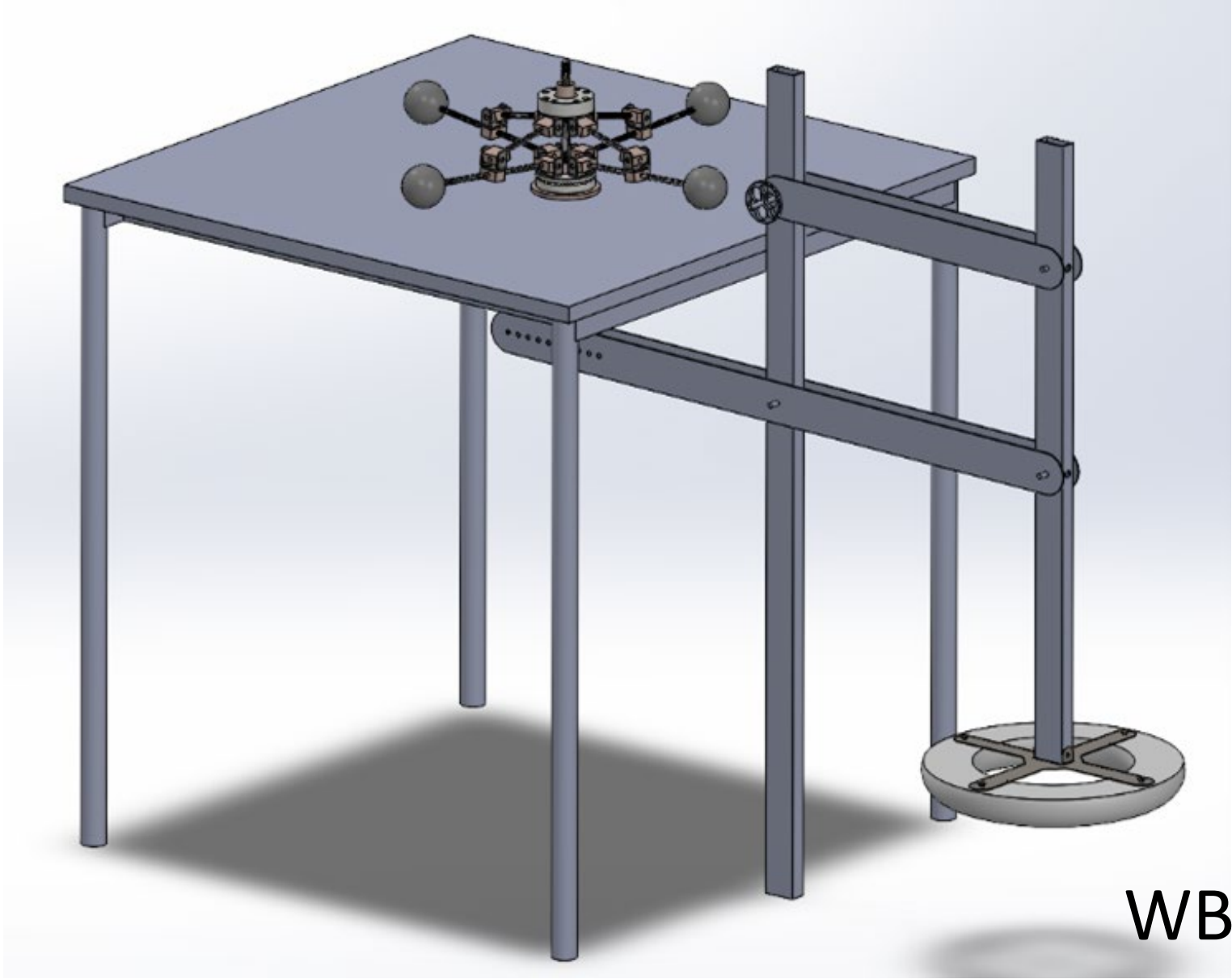
WB28



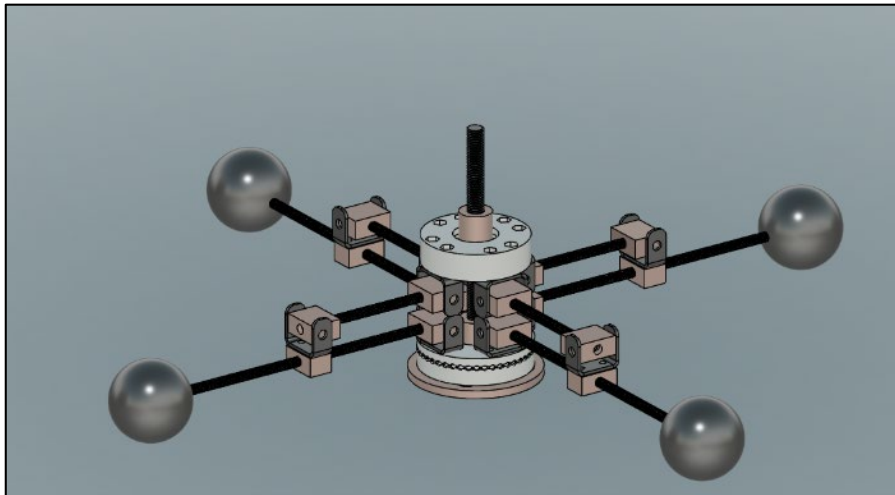
WB29



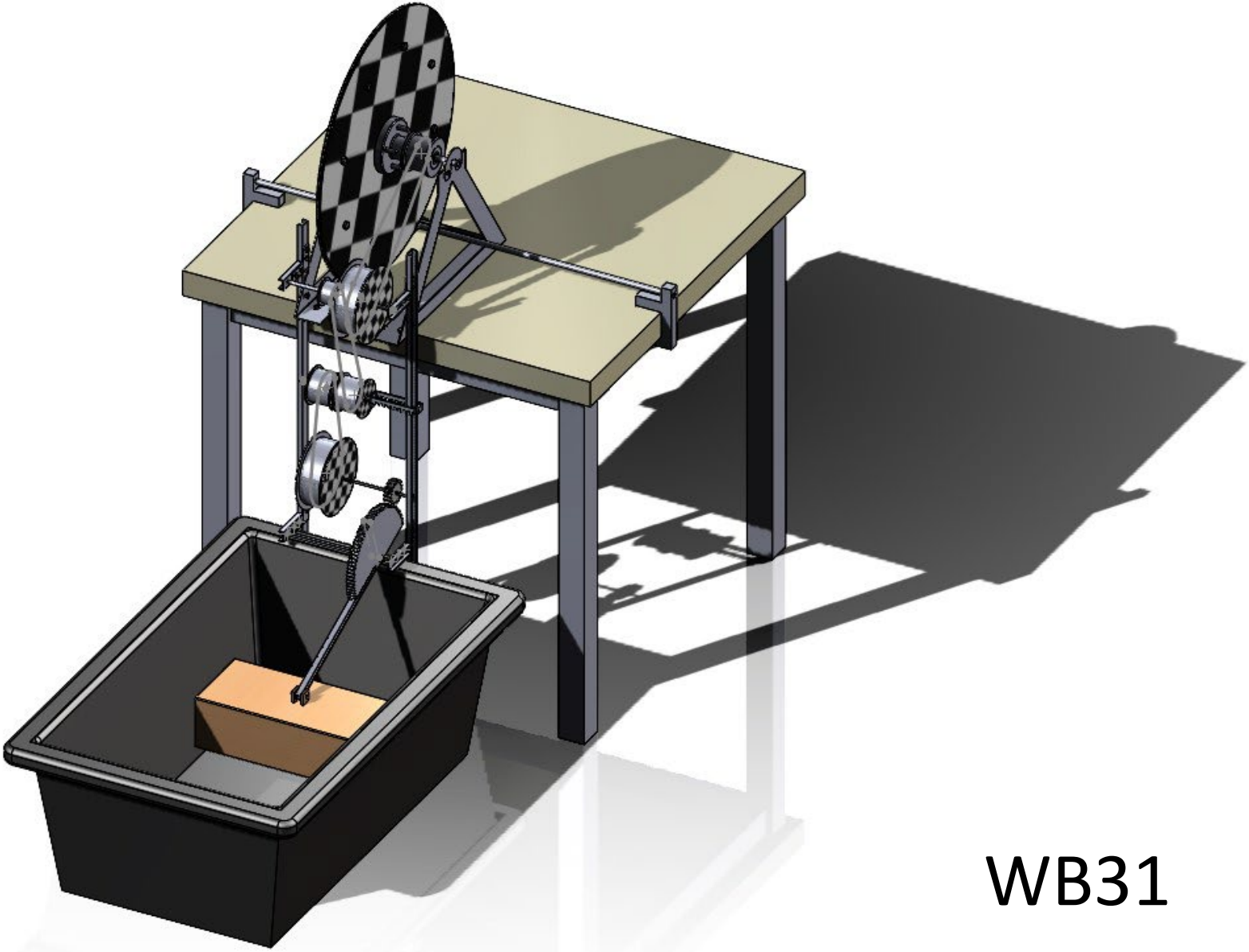
WB29



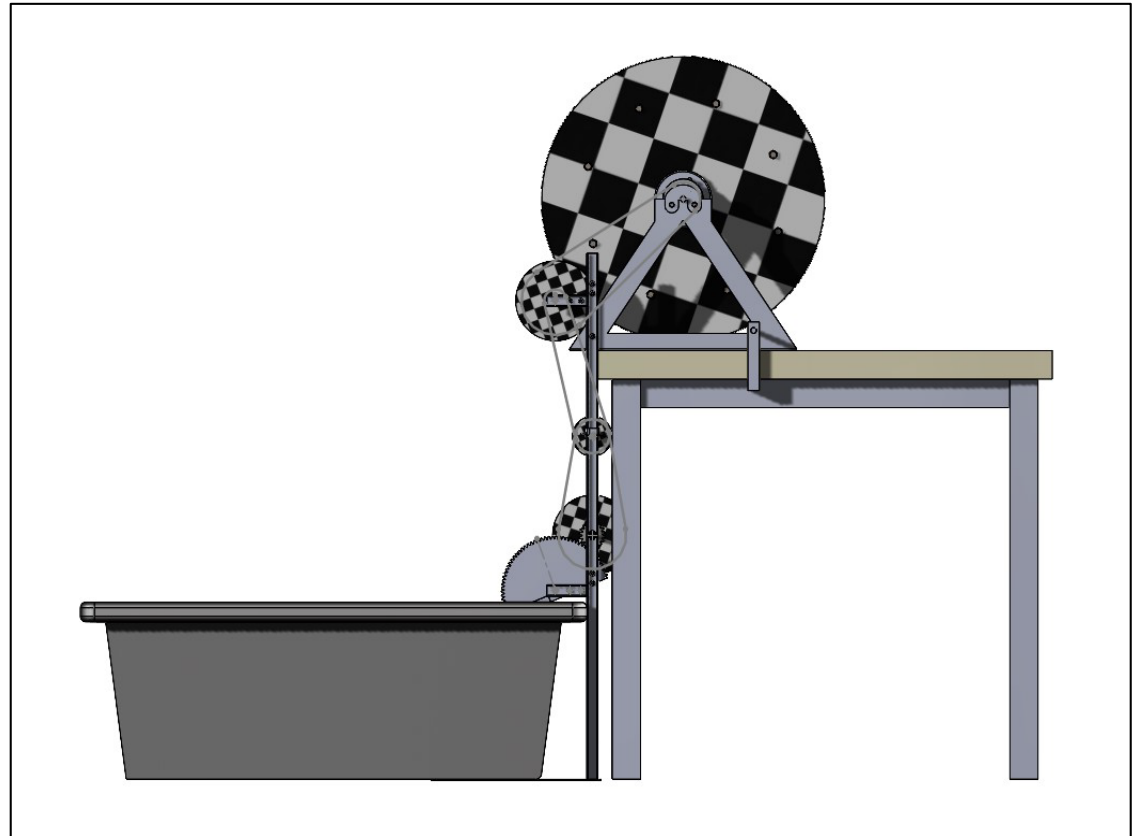
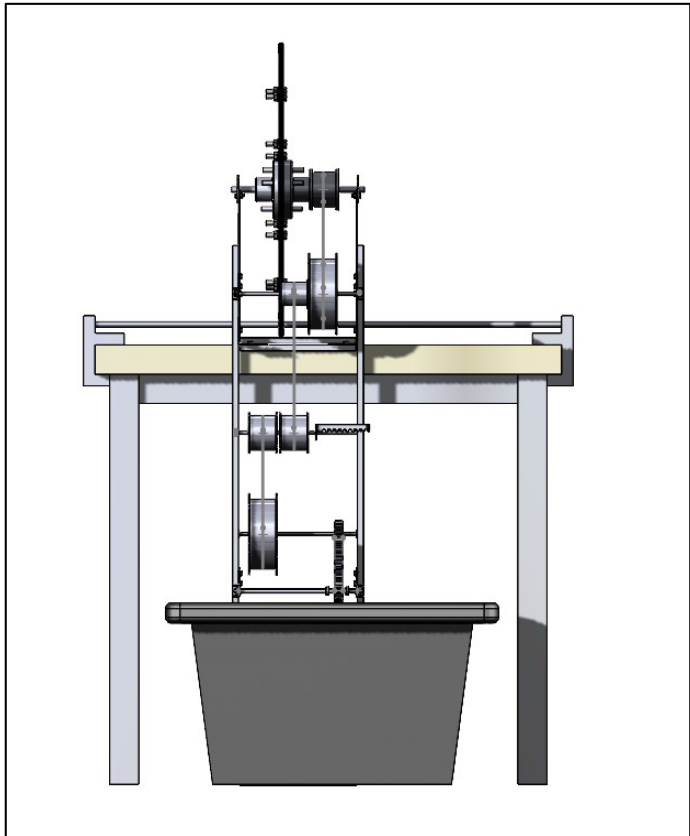
WB30



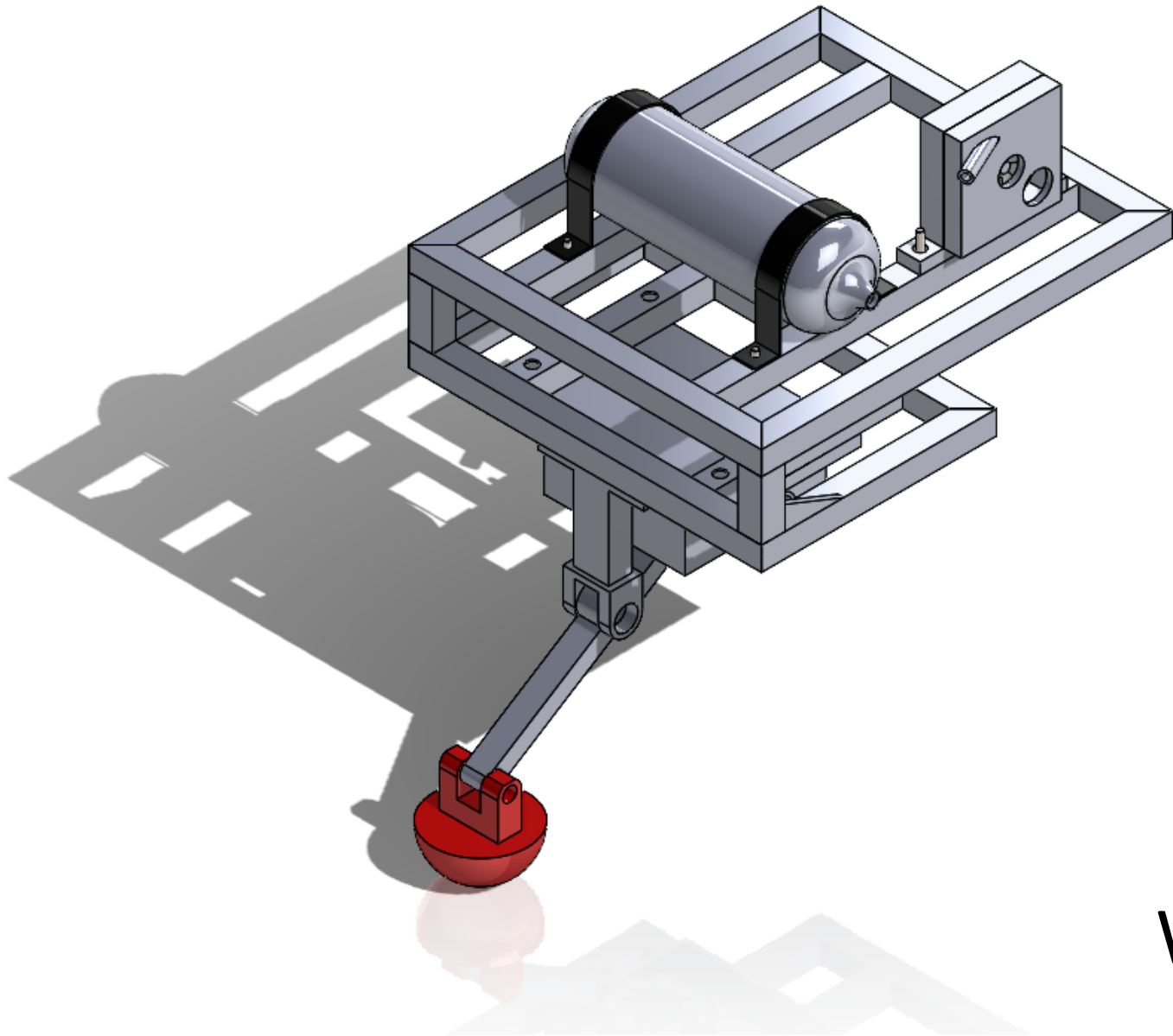
WB30



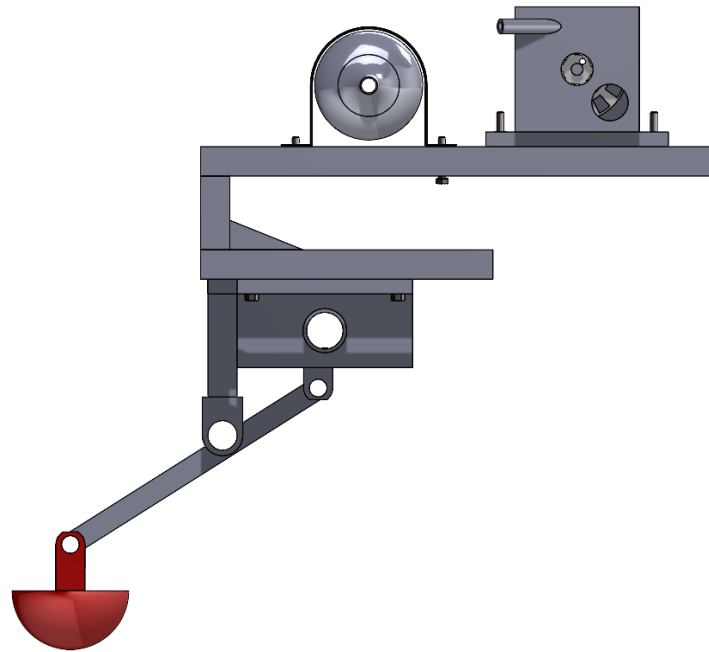
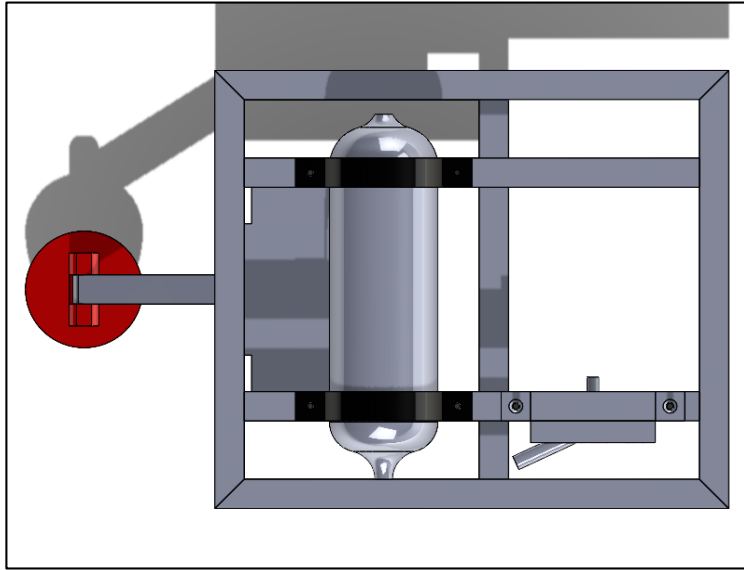
WB31



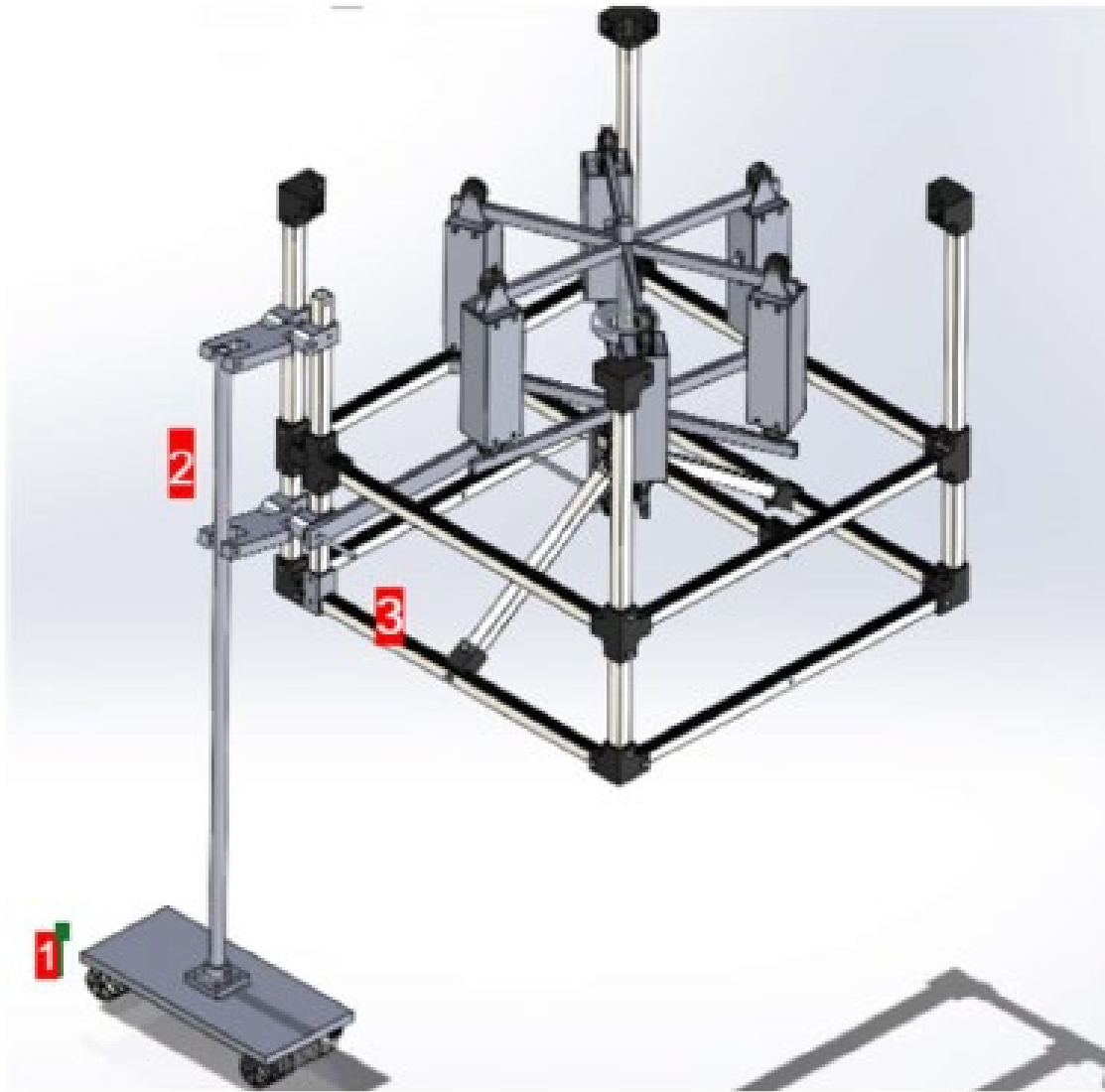
WB31



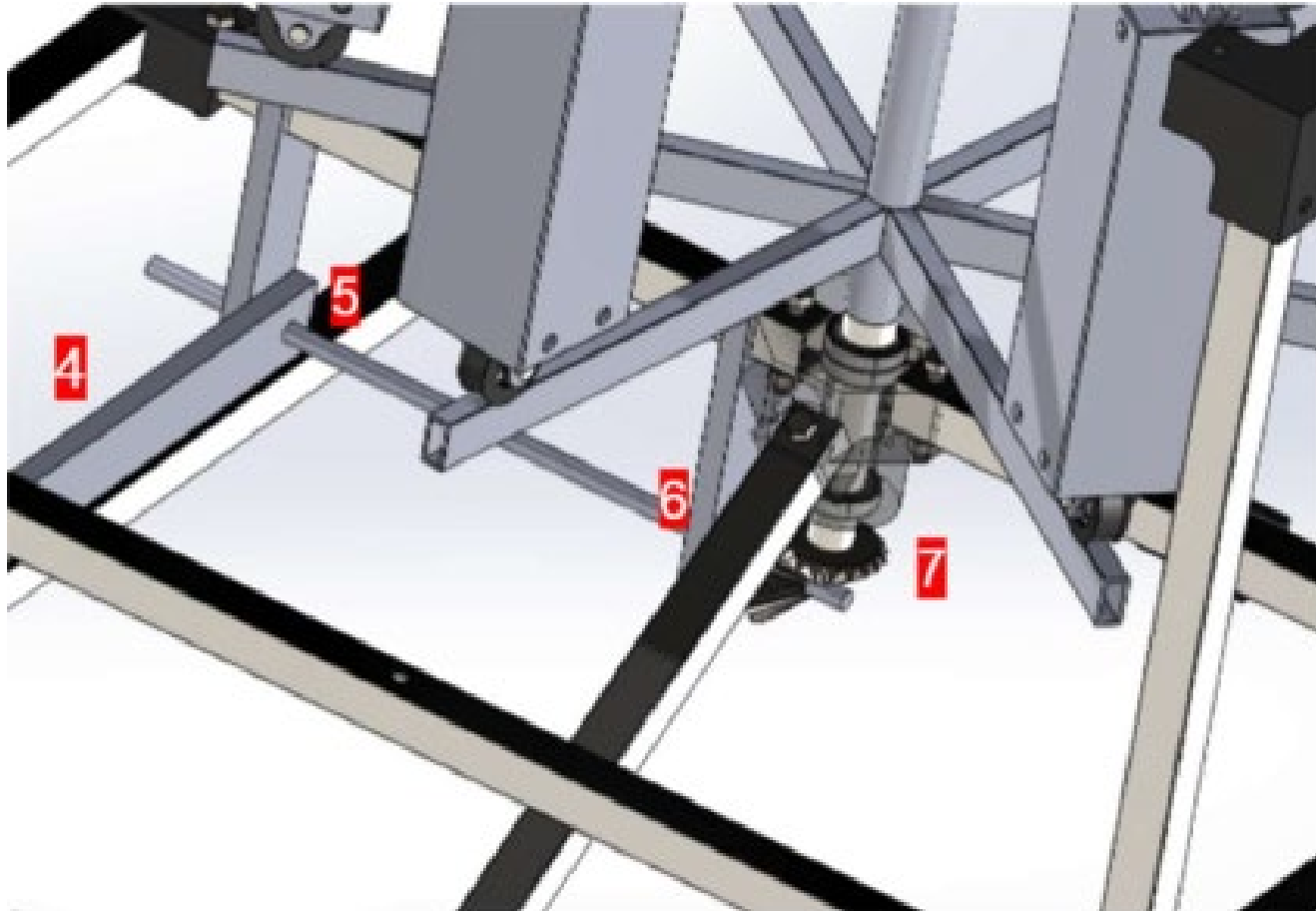
WB32



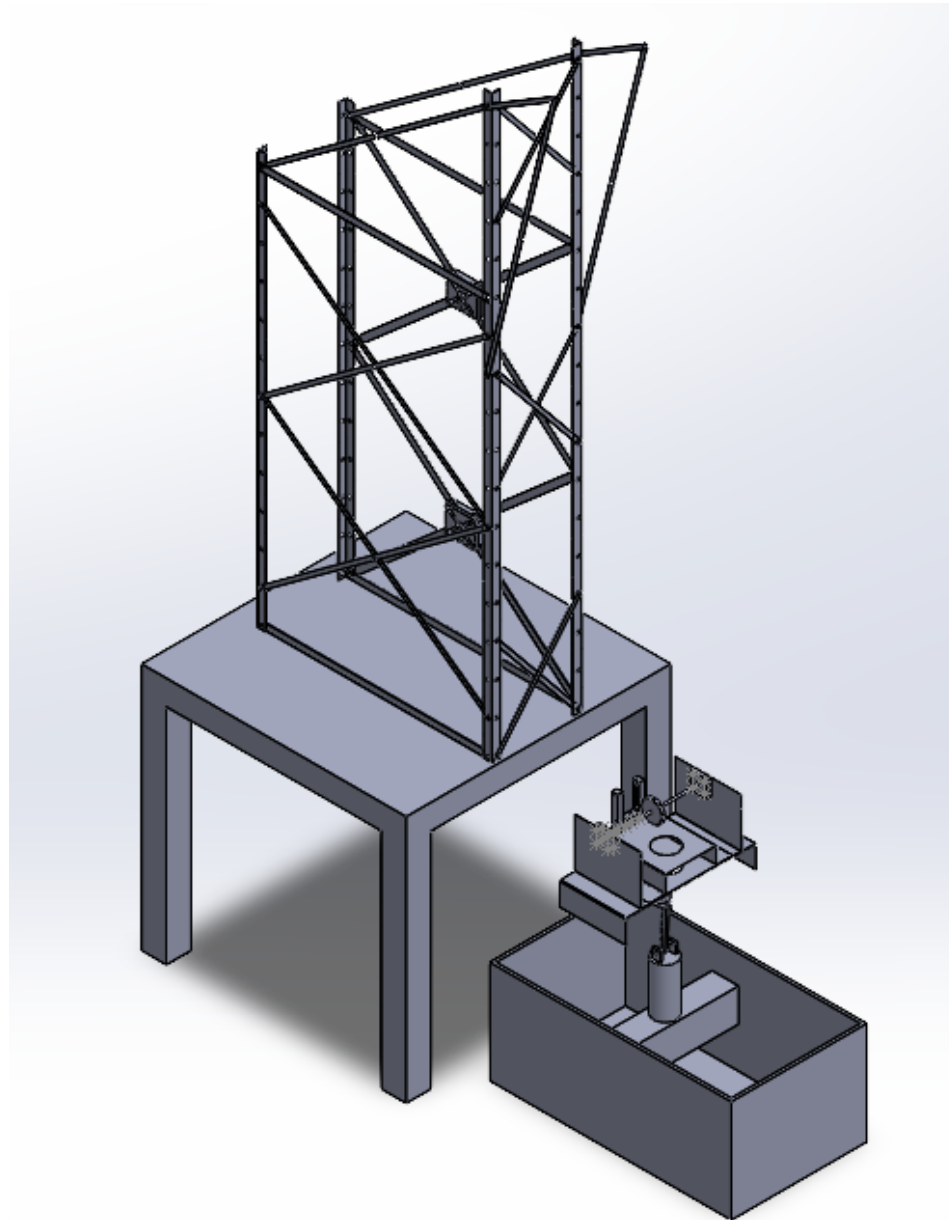
WB32



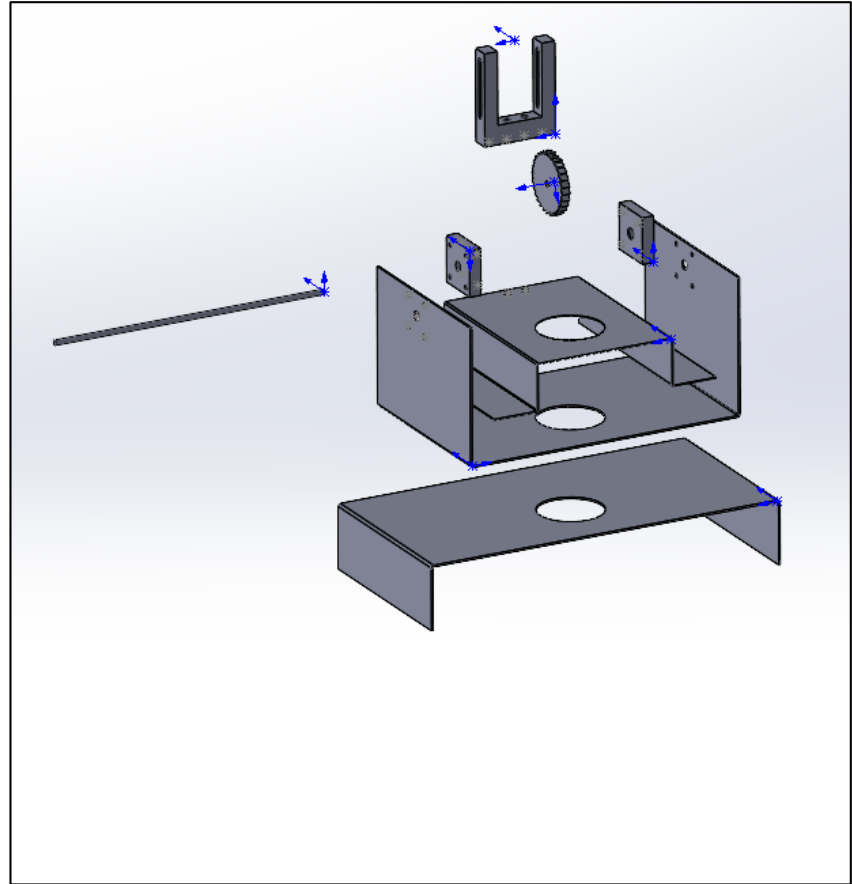
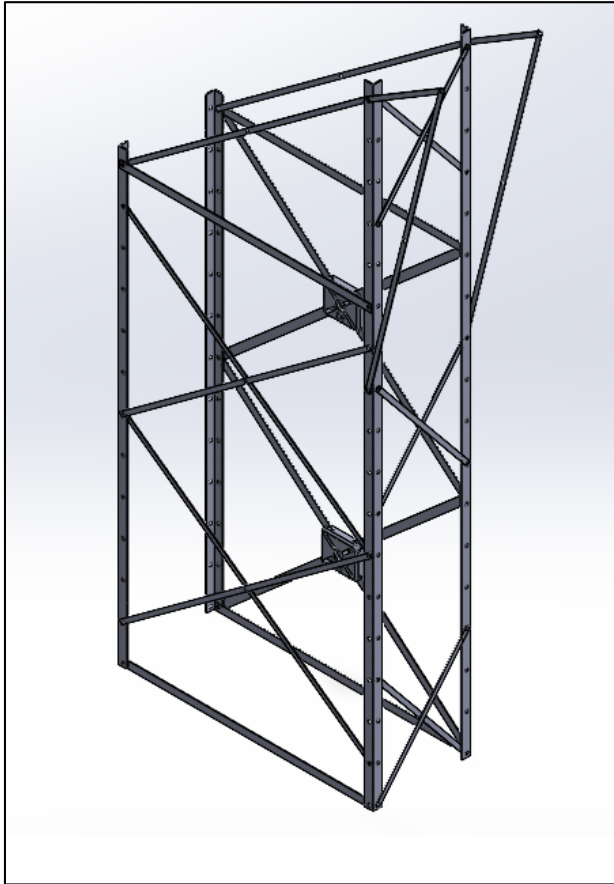
WB33



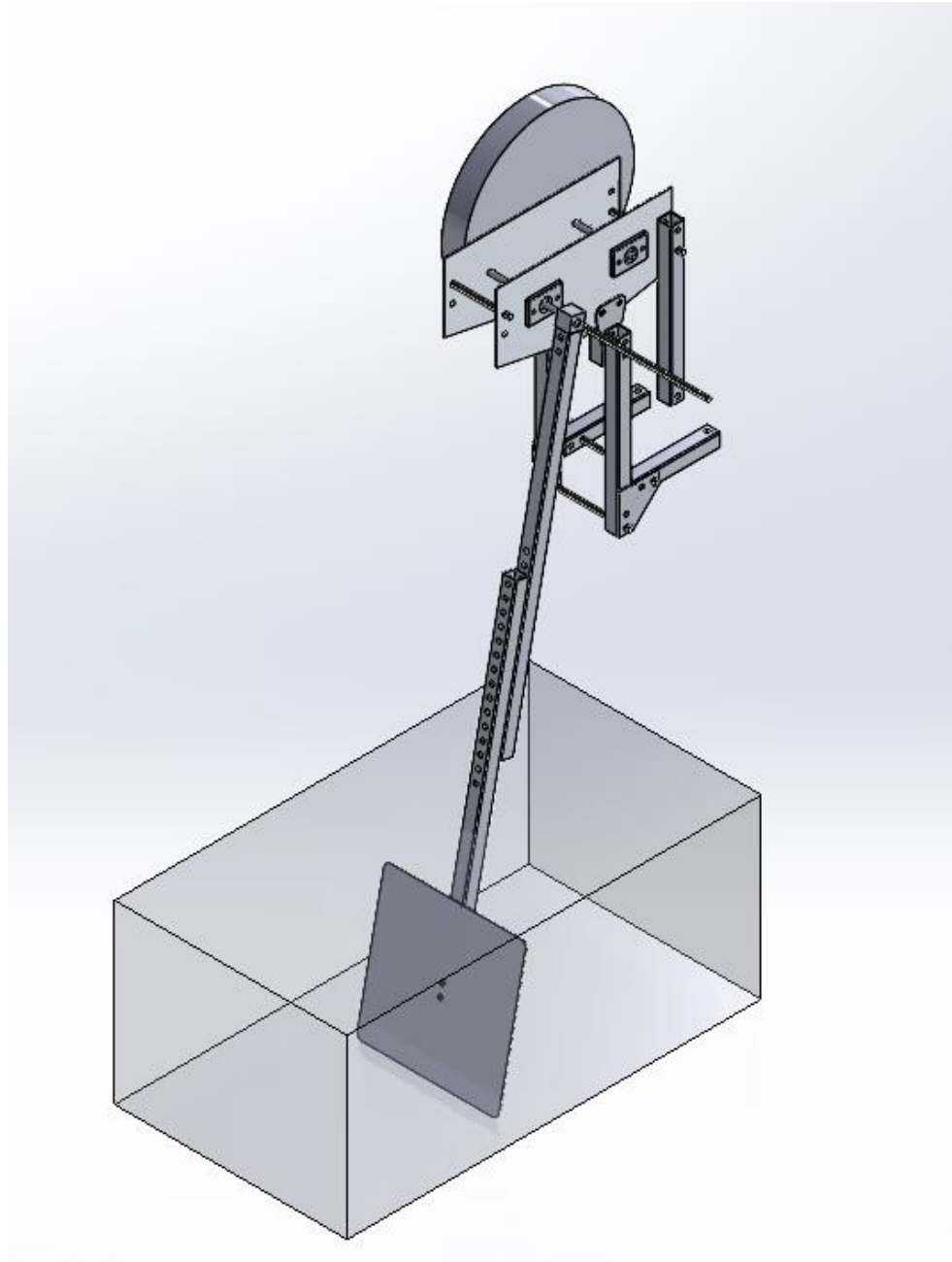
WB33



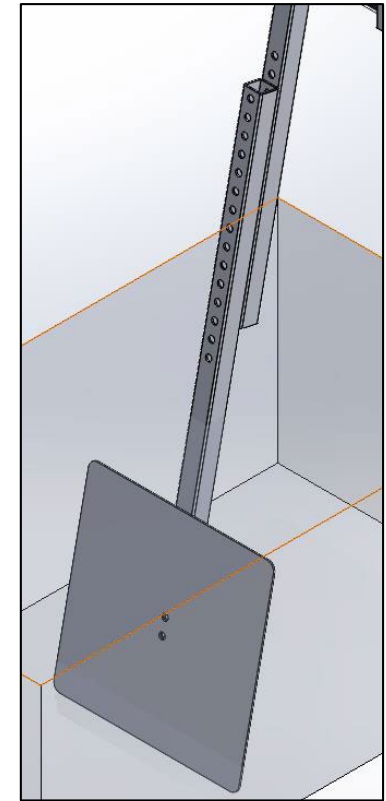
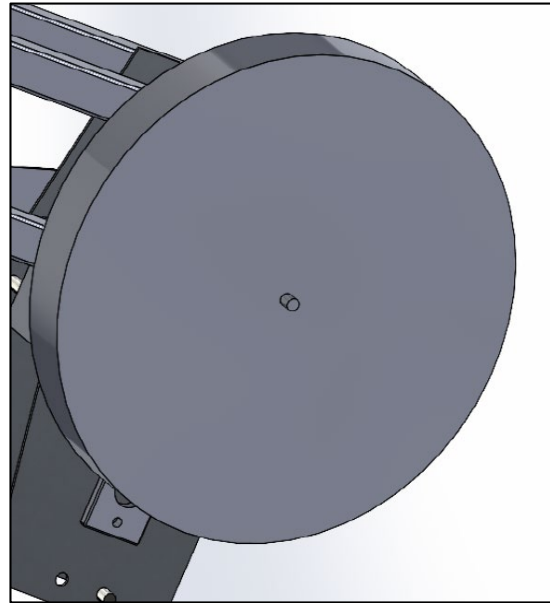
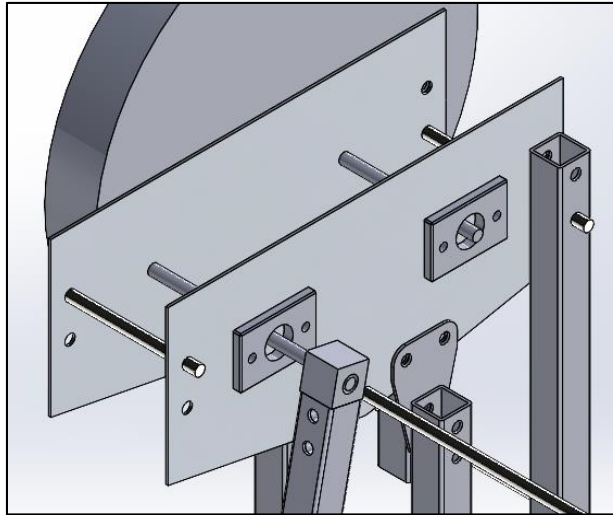
WB34



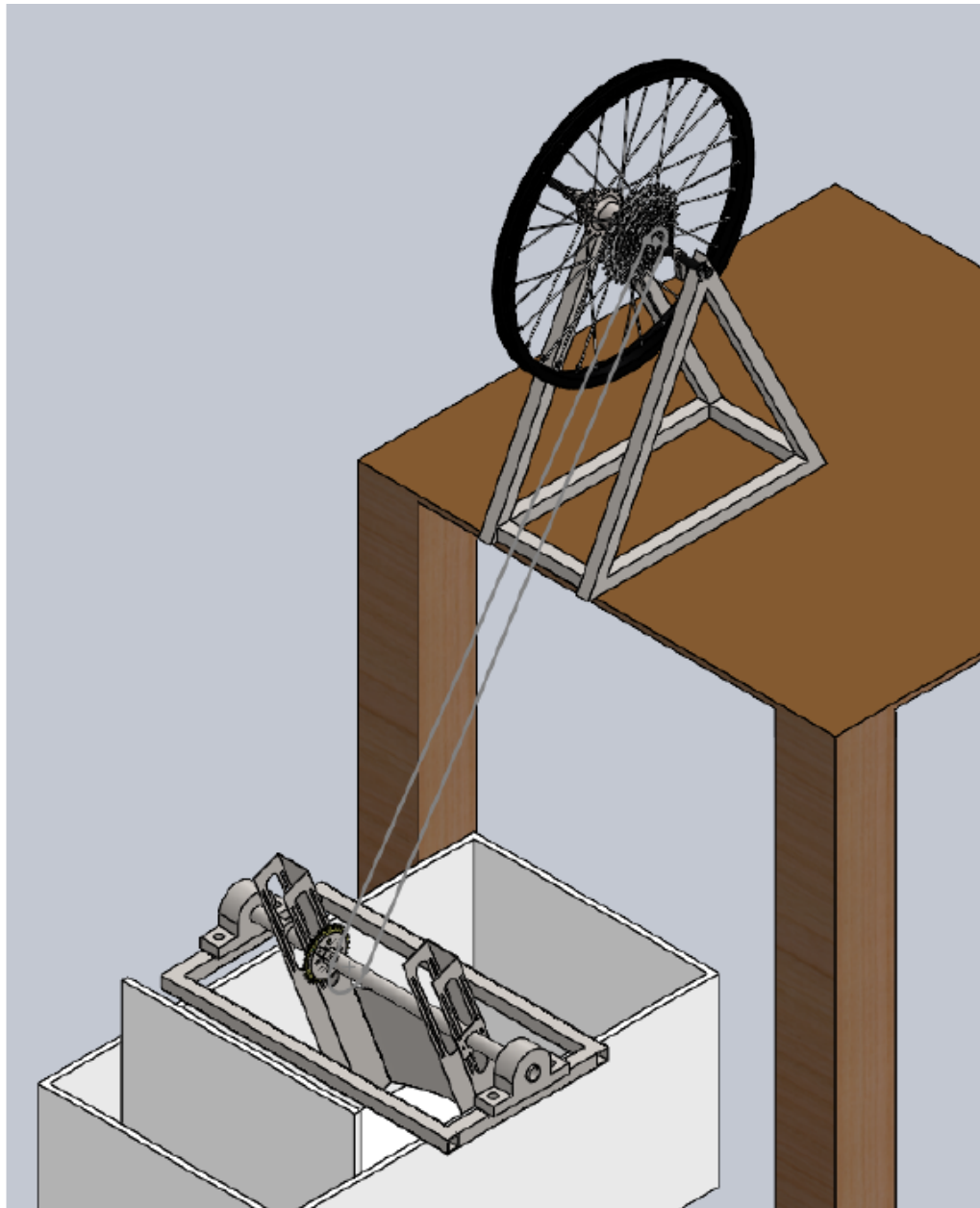
WB34



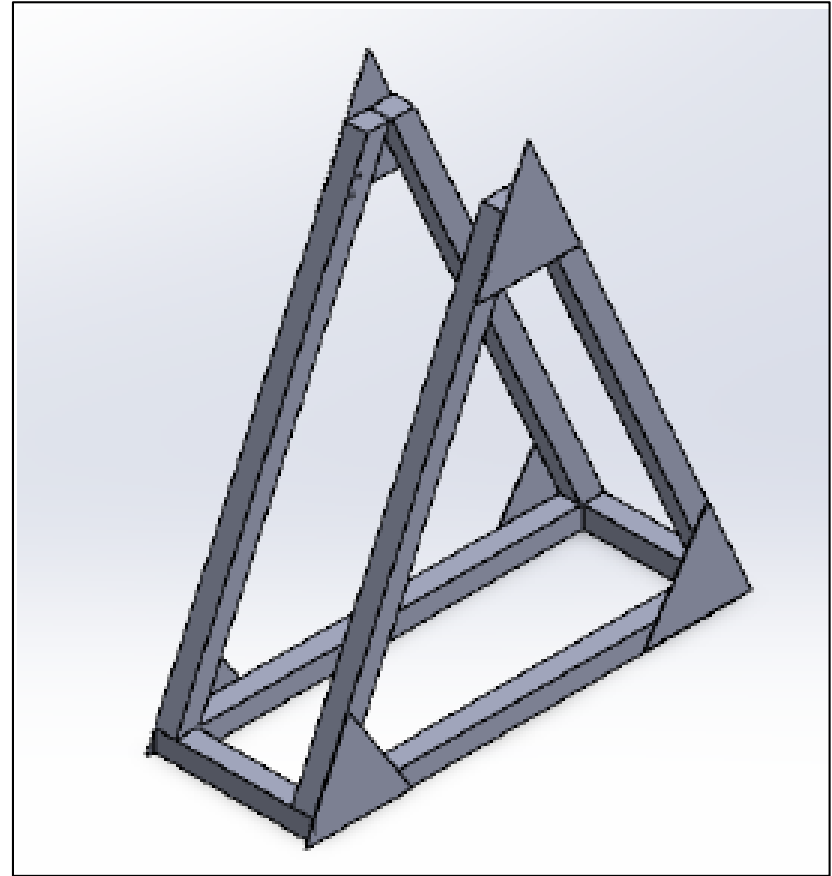
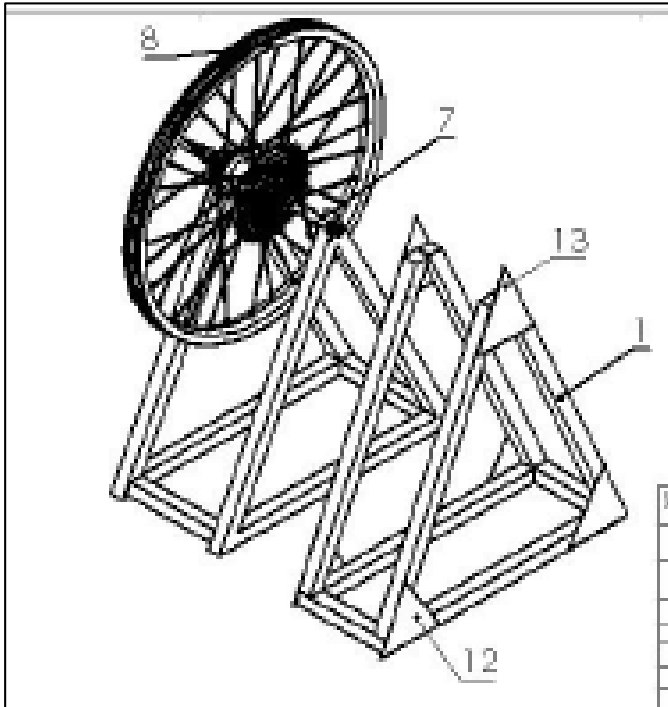
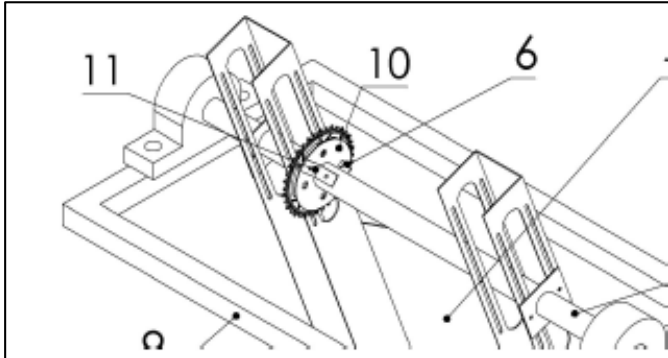
WB35



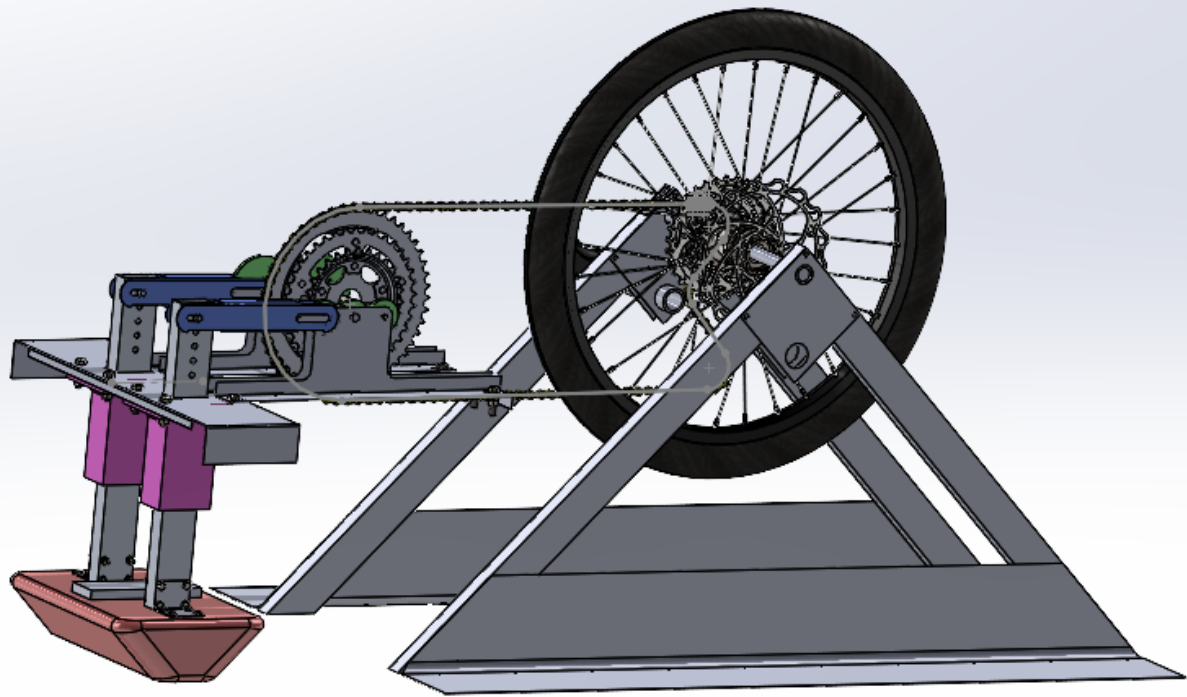
WB35



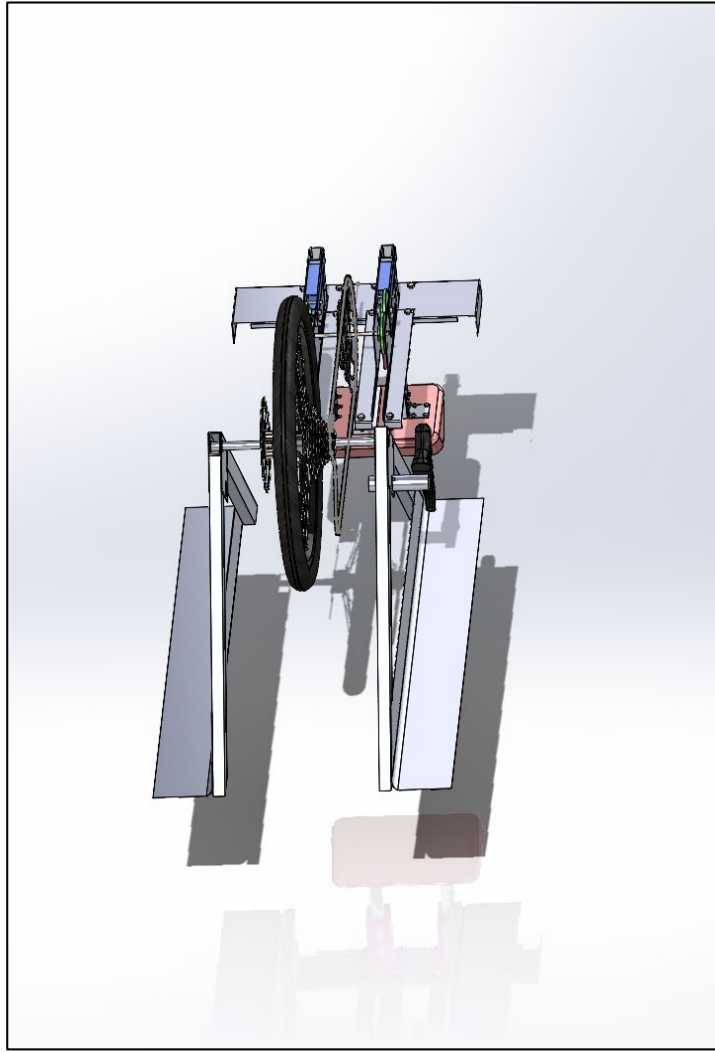
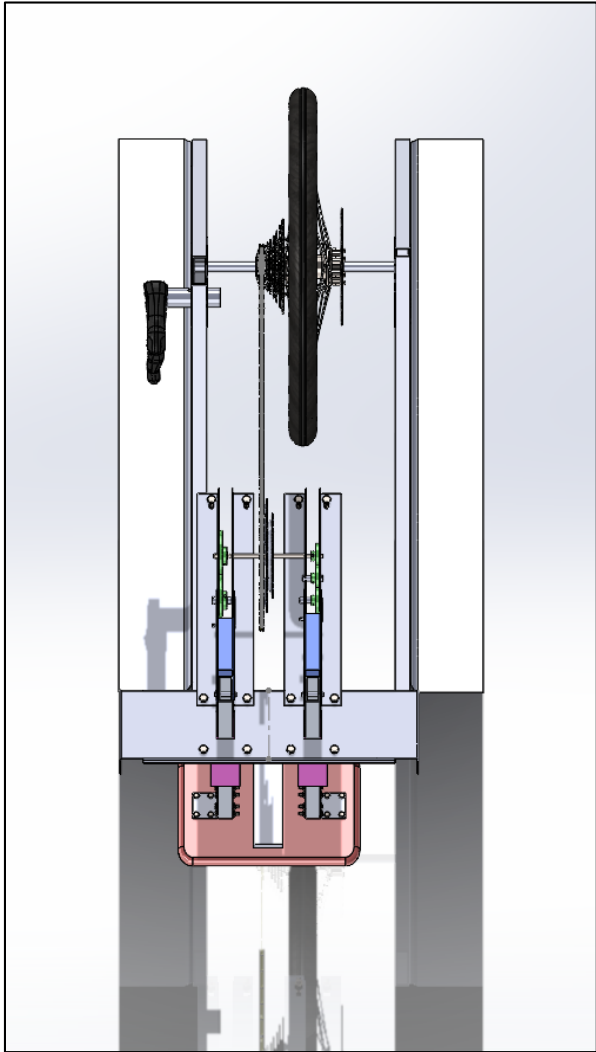
WB36



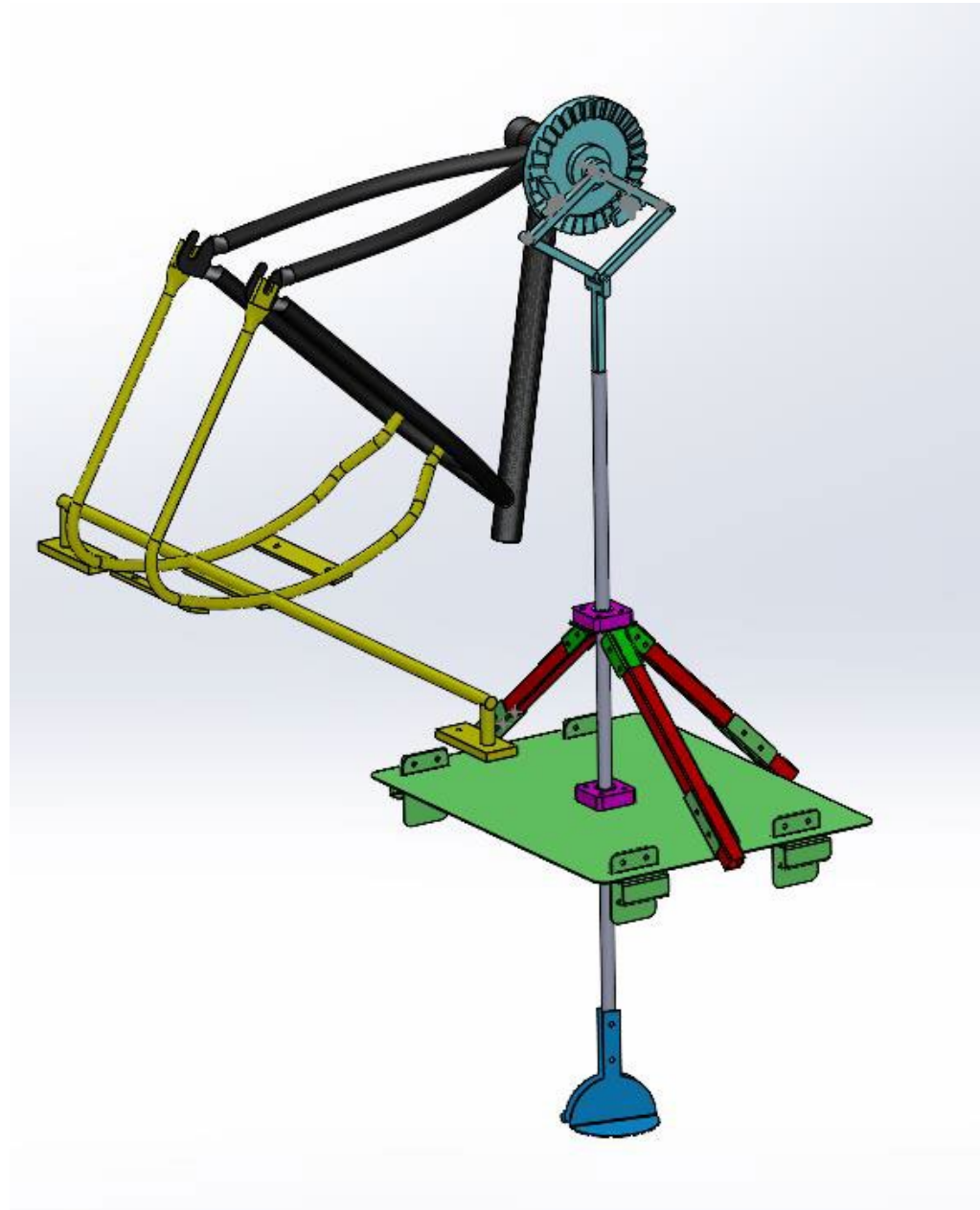
WB36



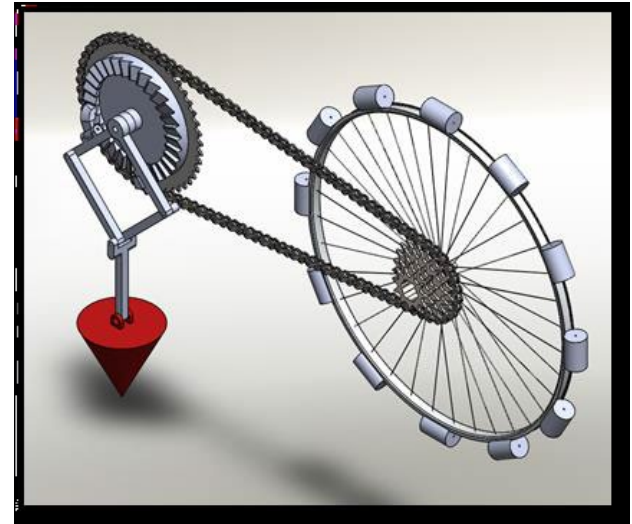
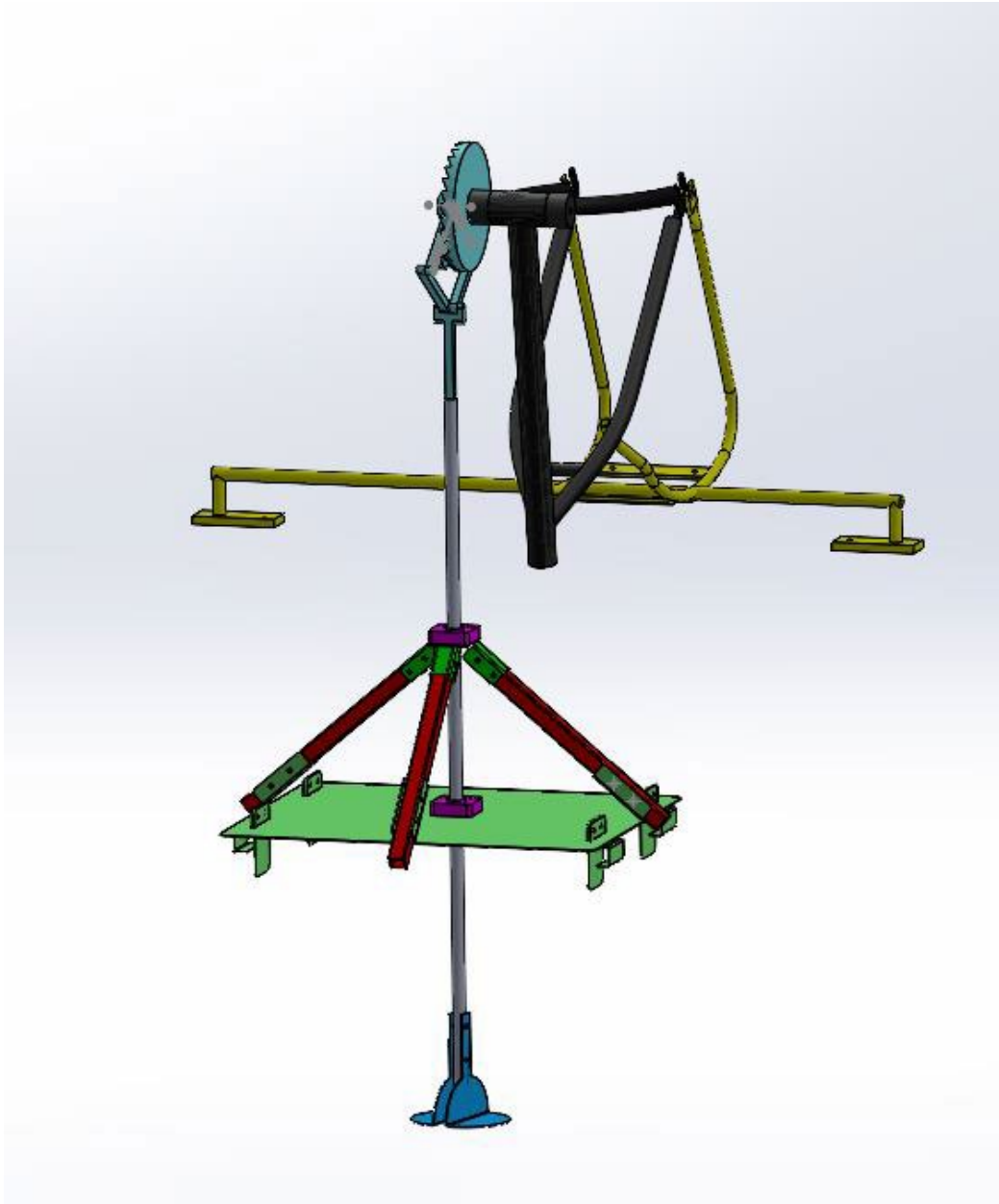
WB37



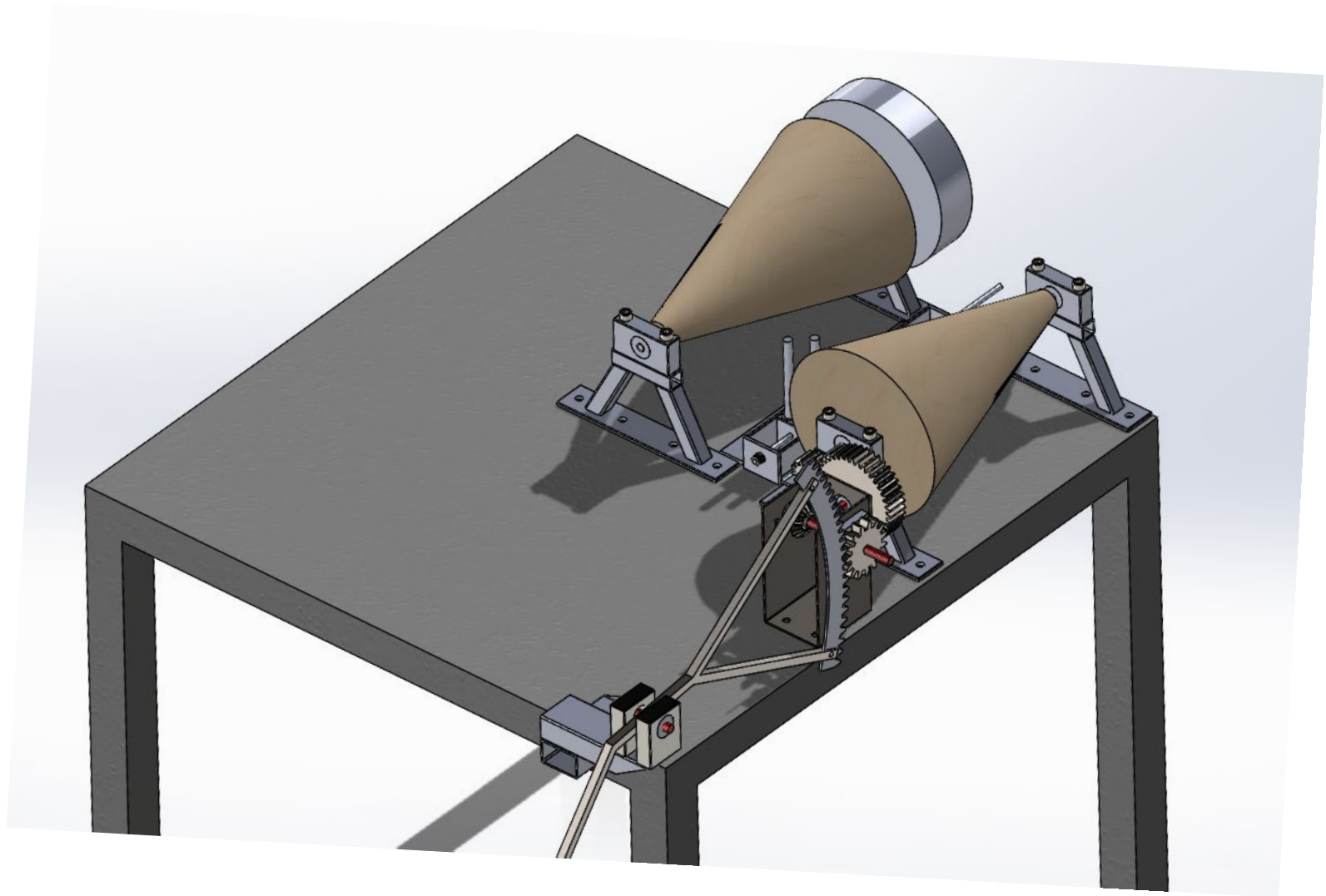
WB37



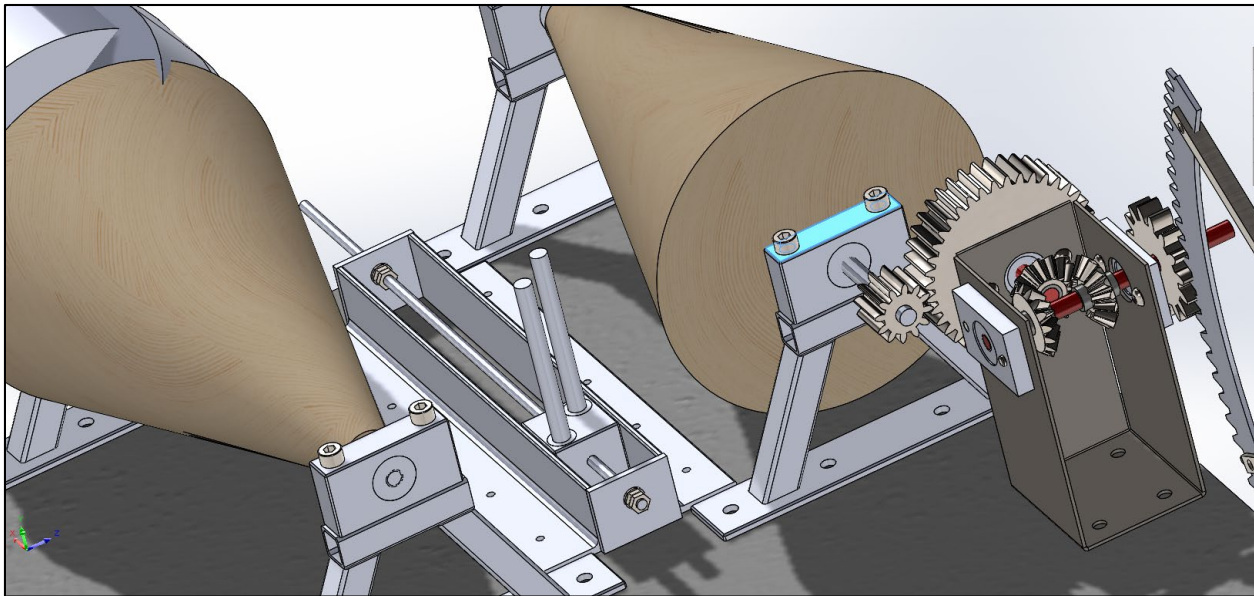
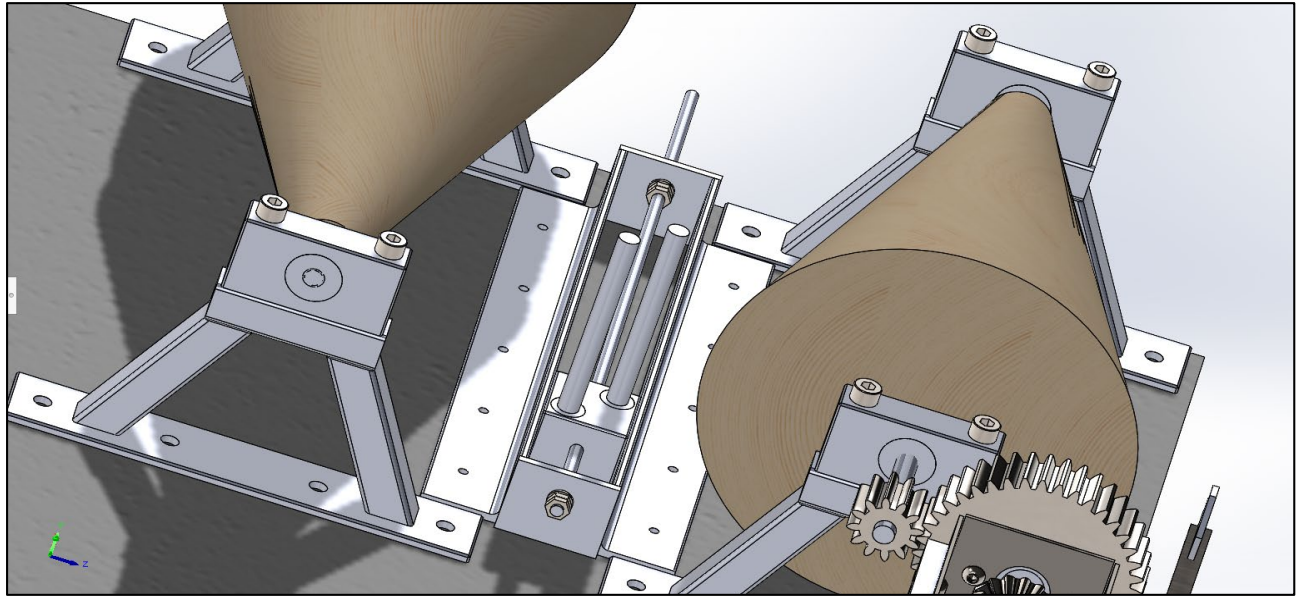
WB38



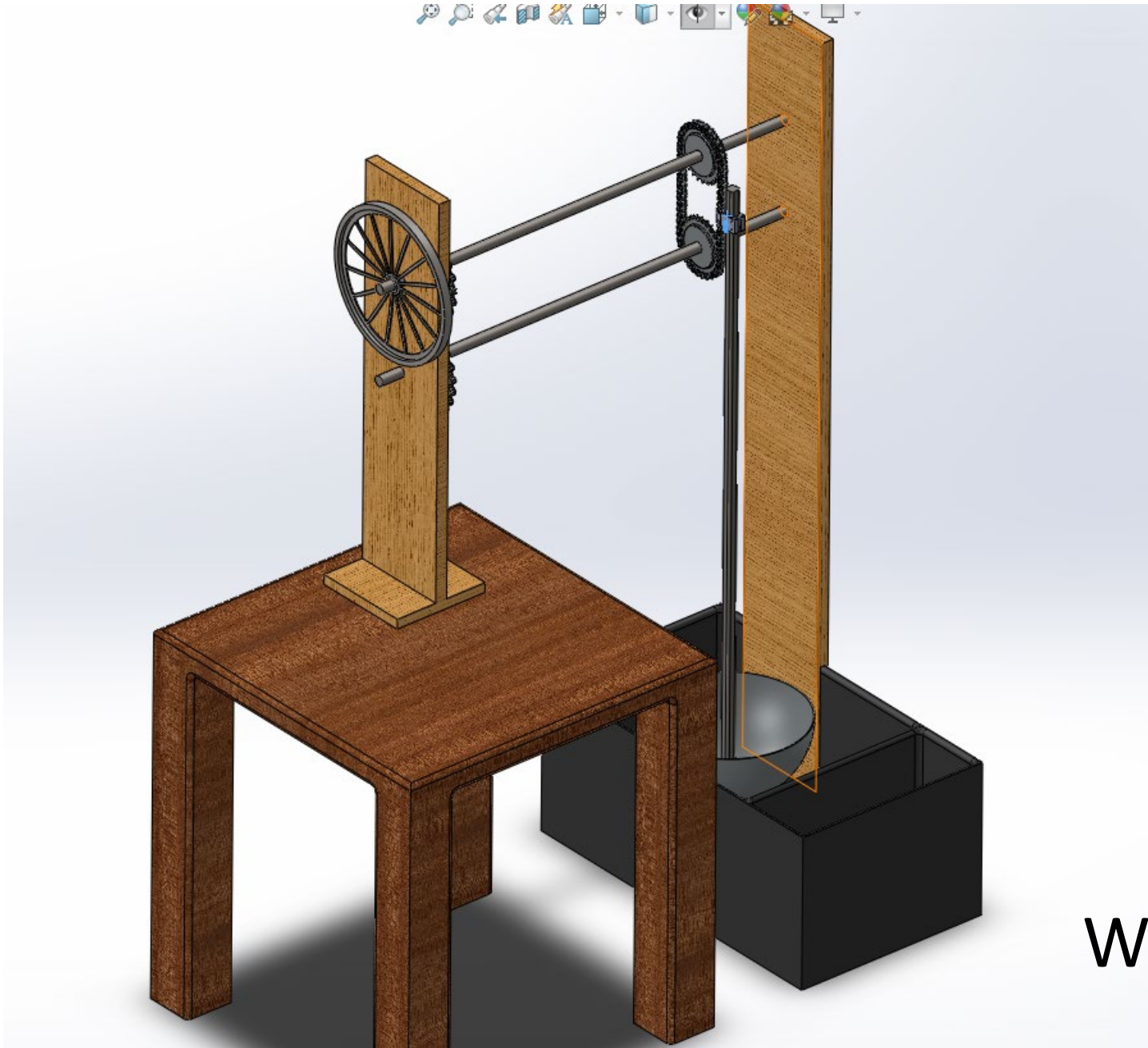
WB38



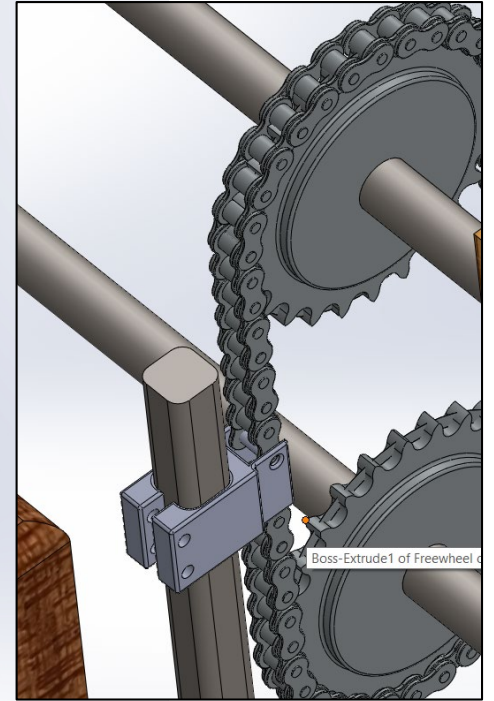
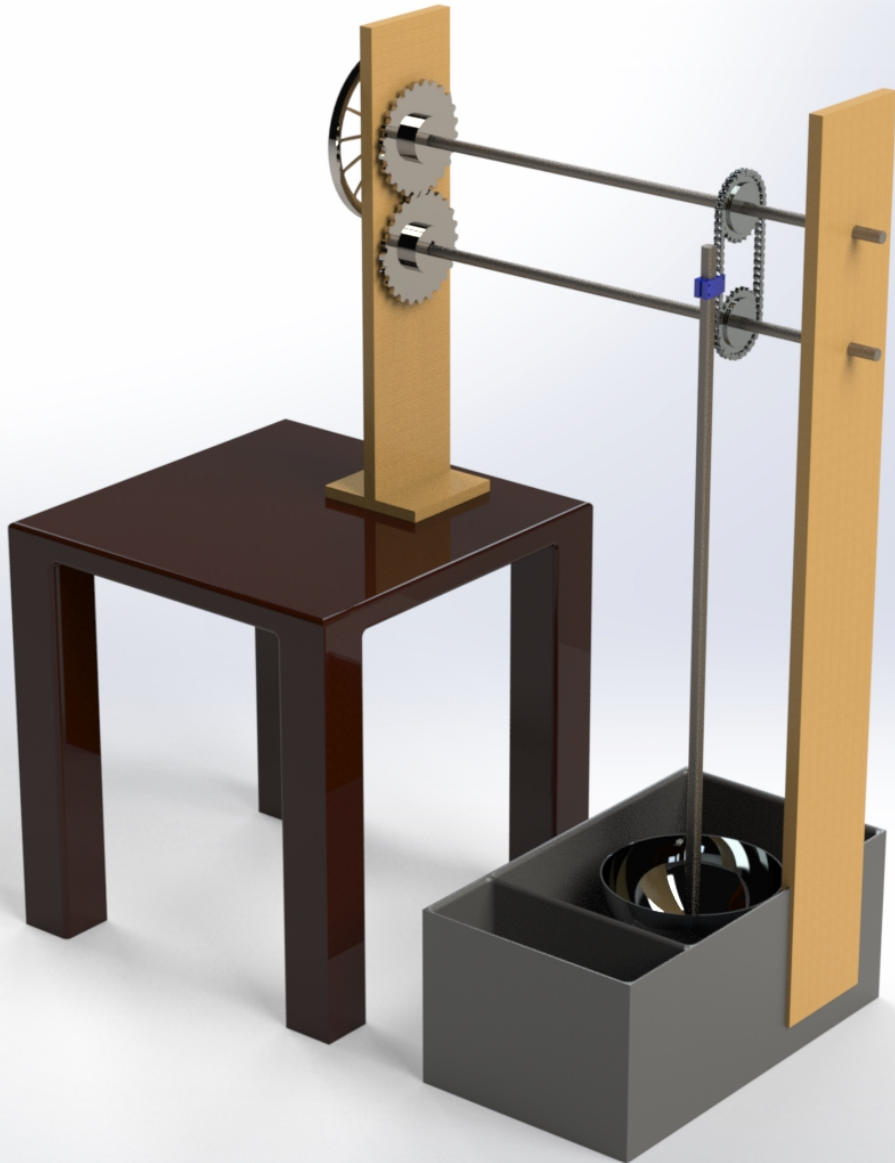
WB39



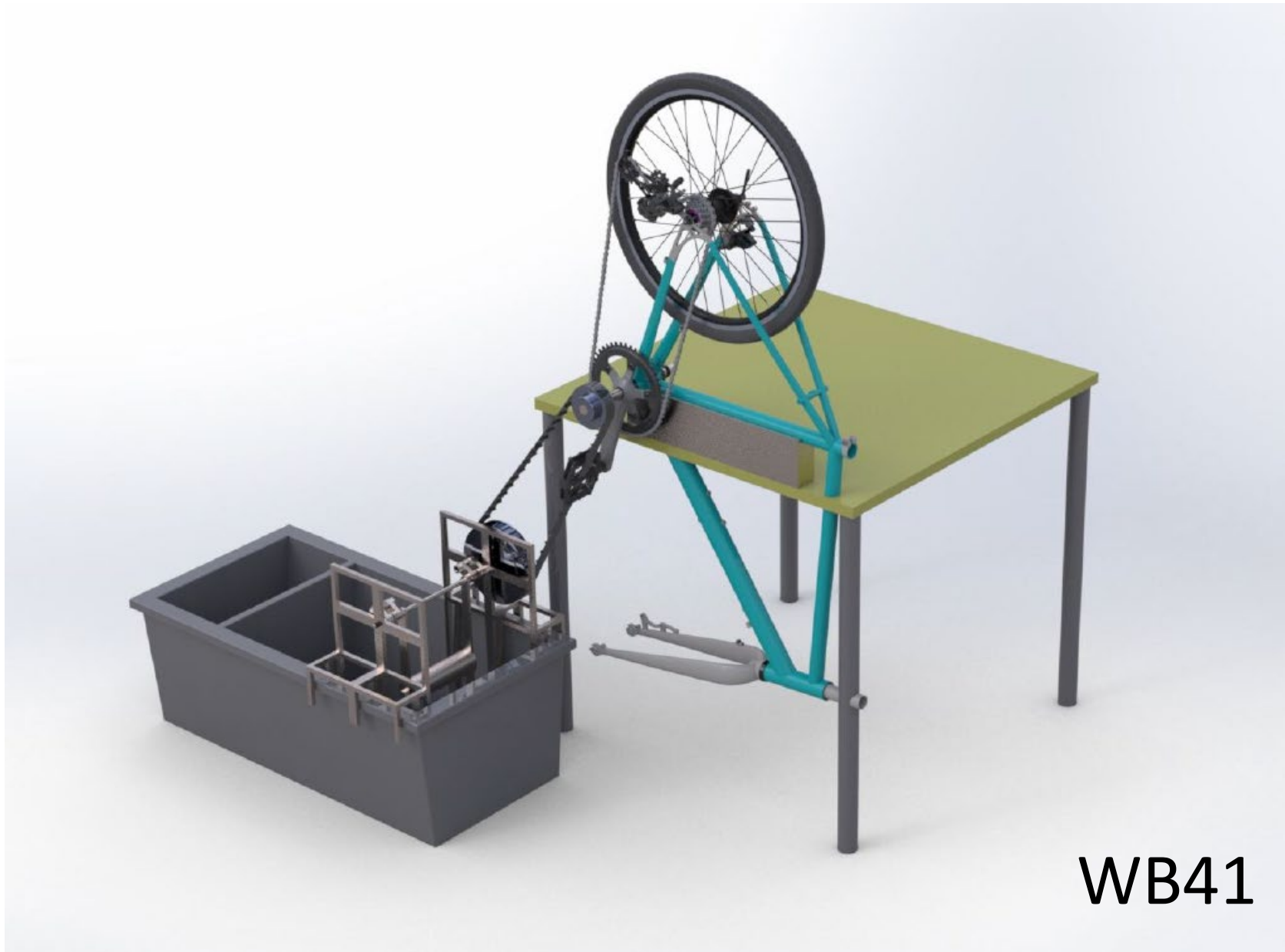
WB39



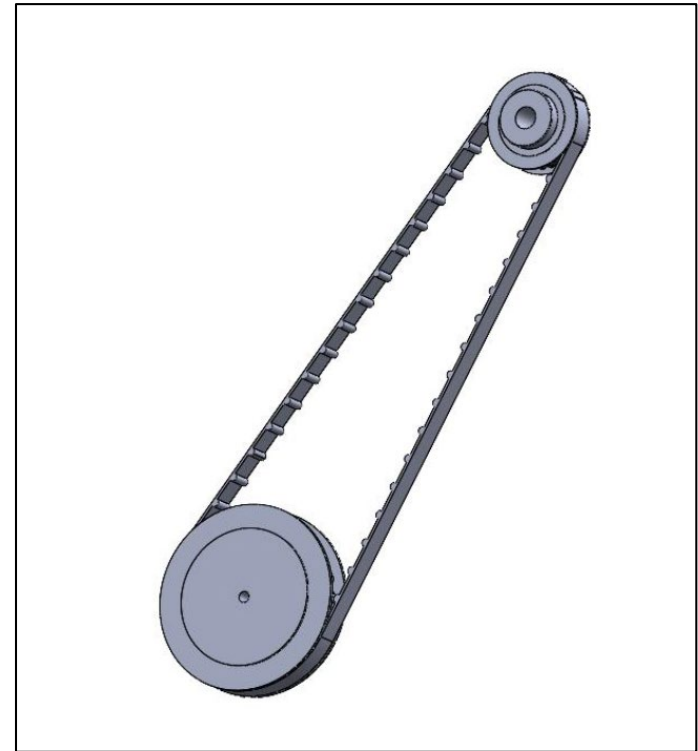
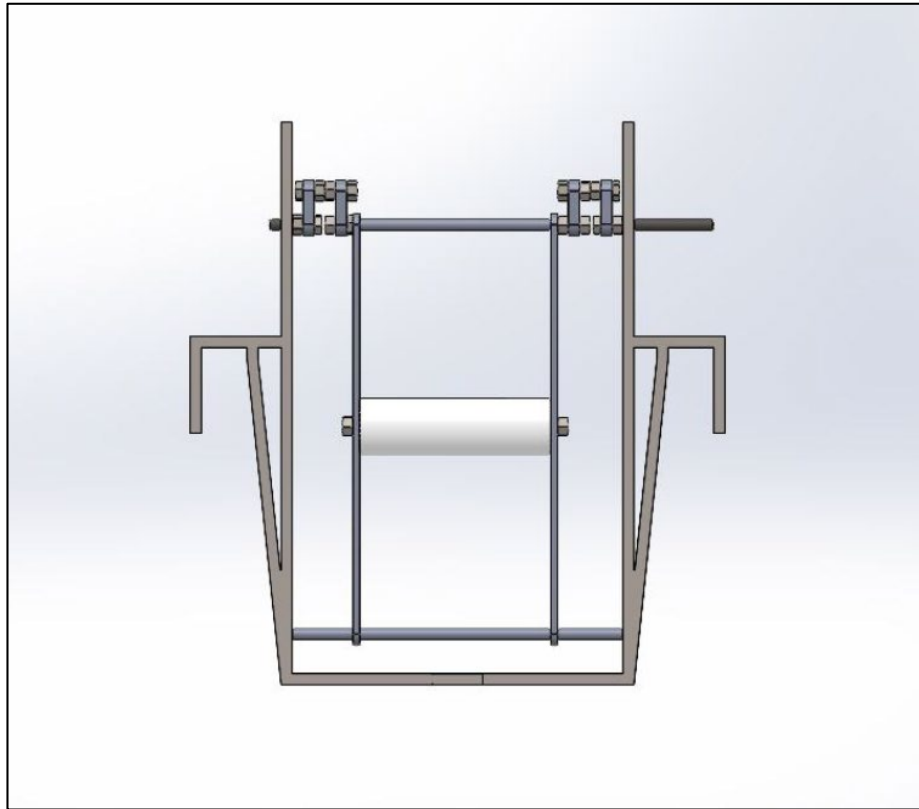
WB40



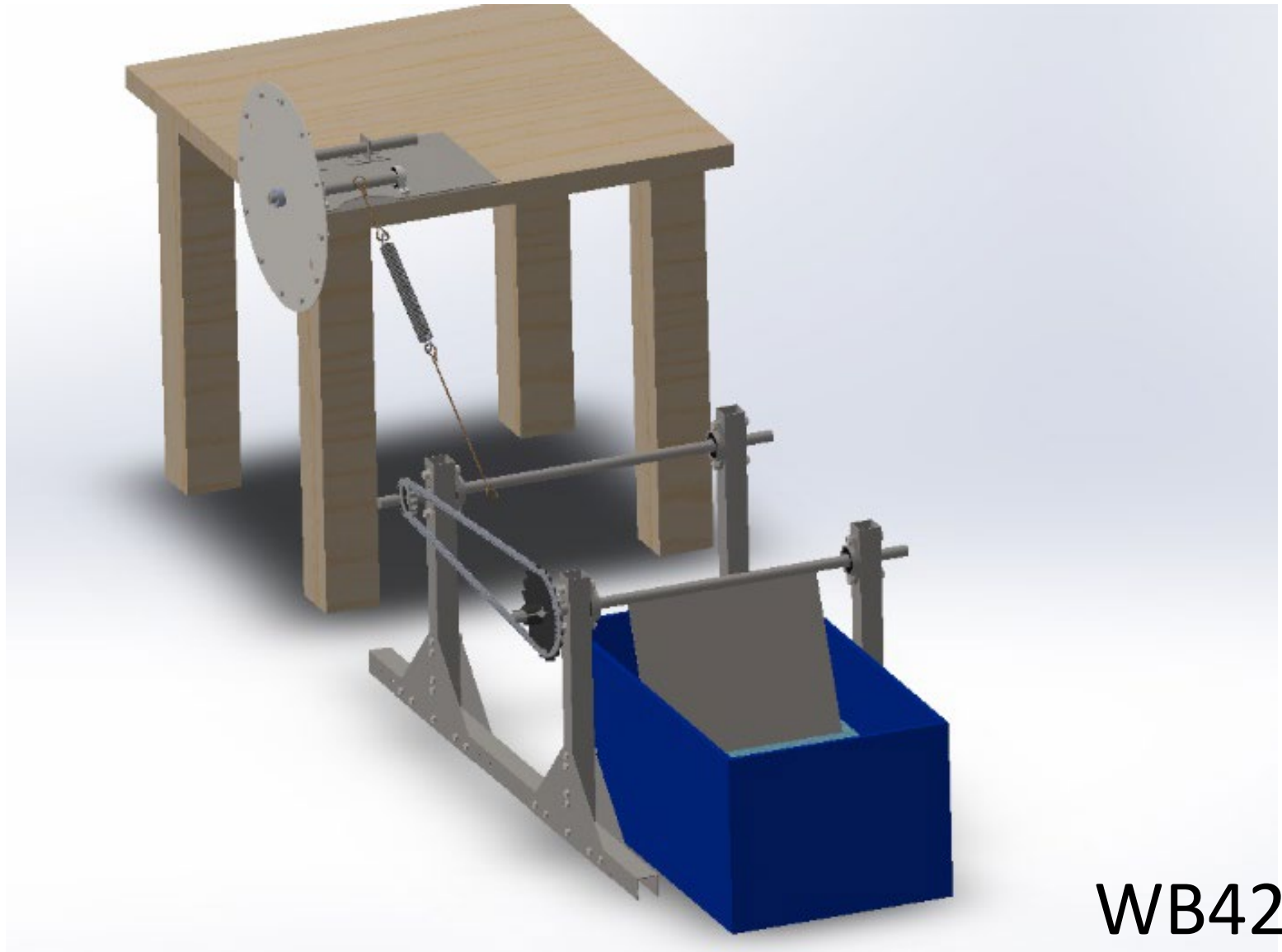
WB40



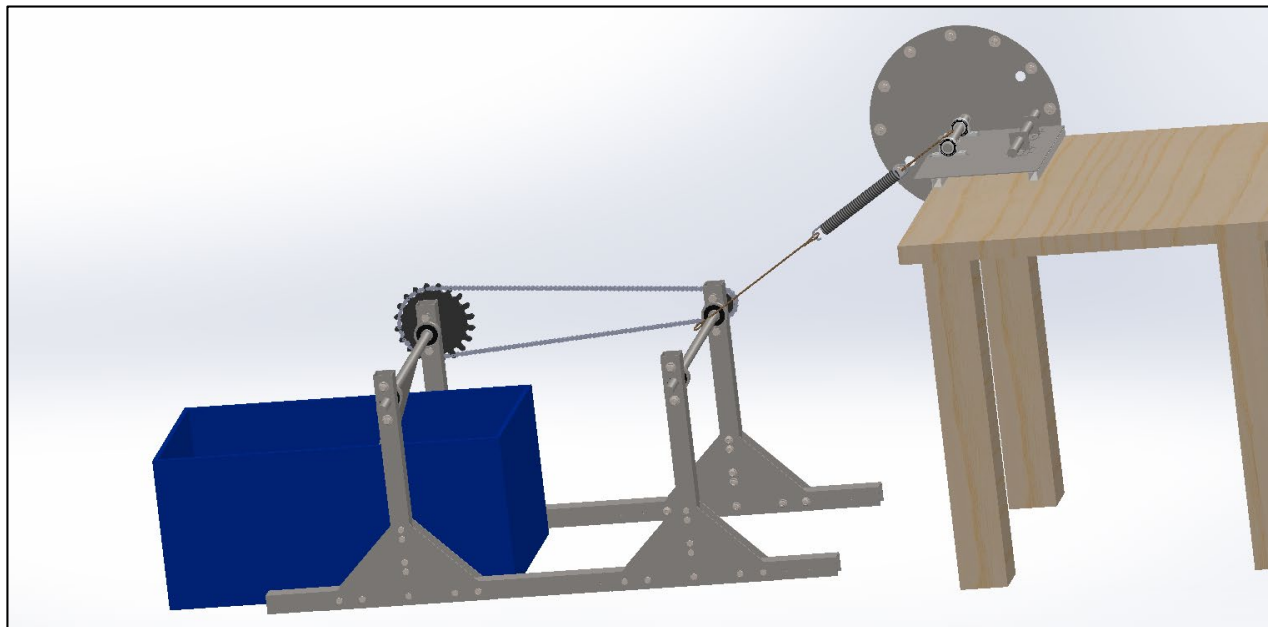
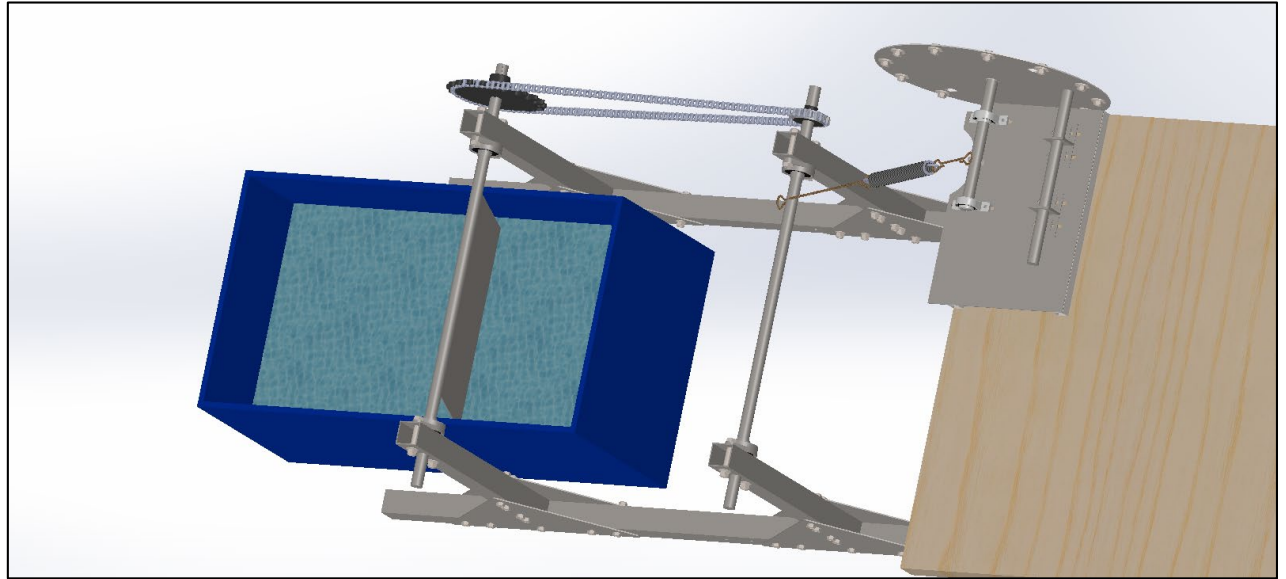
WB41



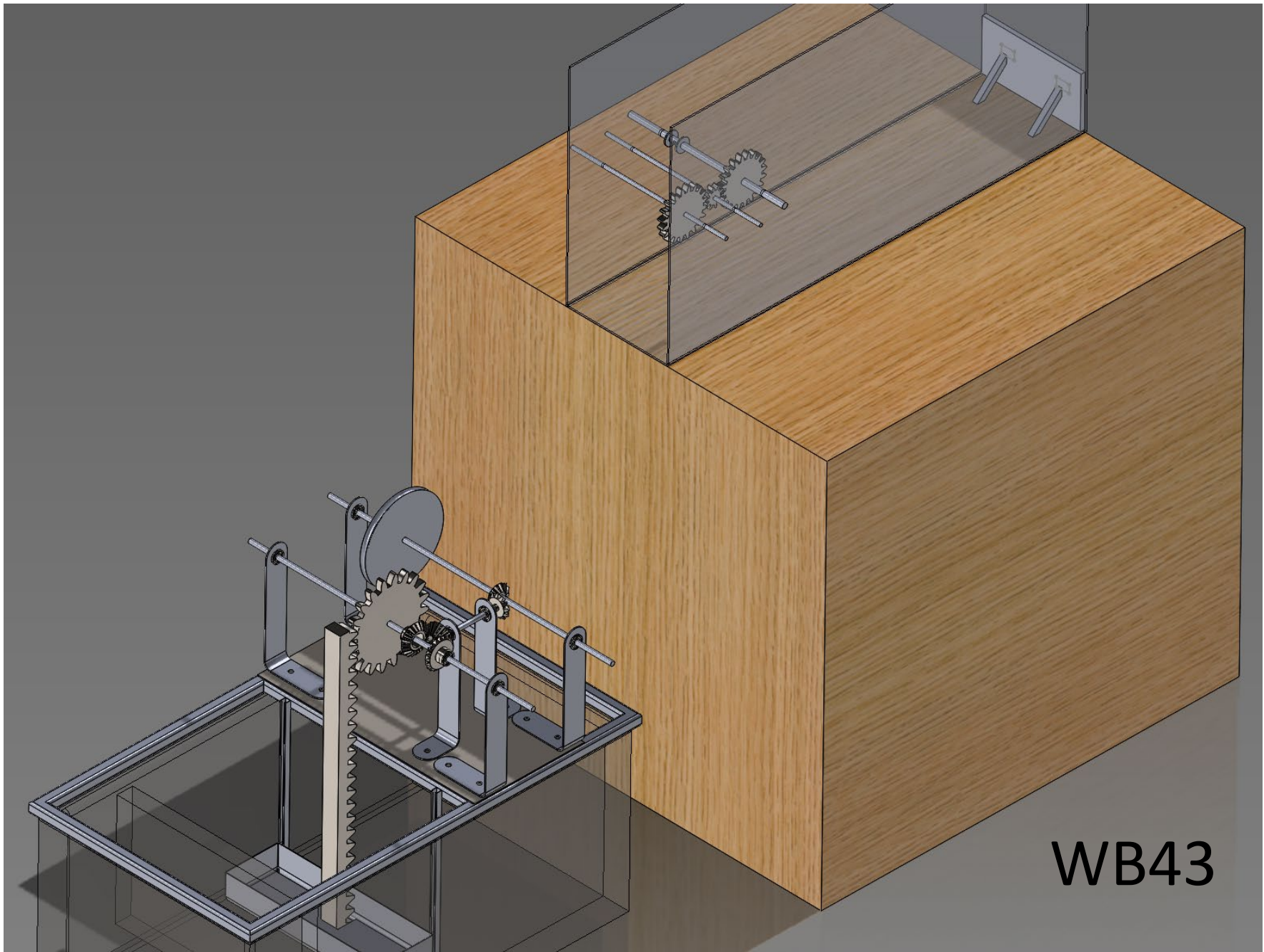
WB41



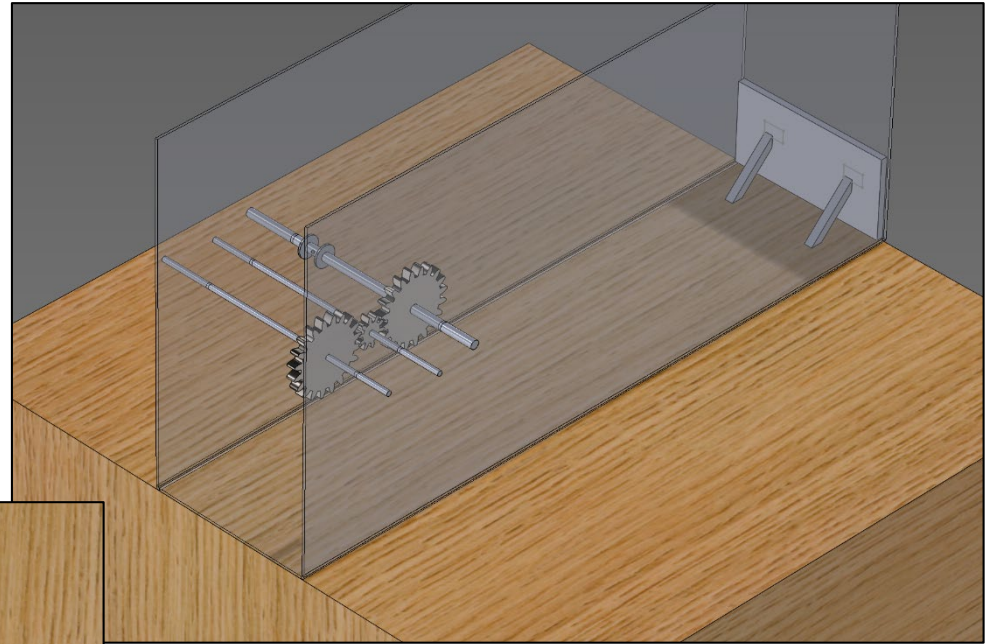
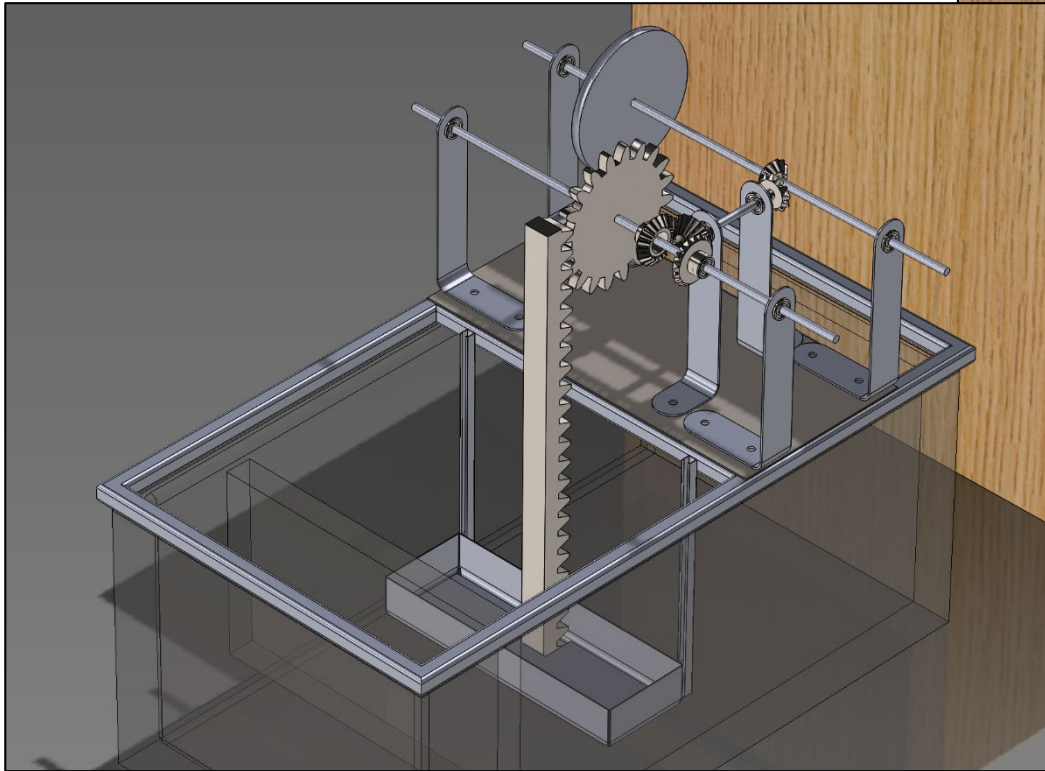
WB42



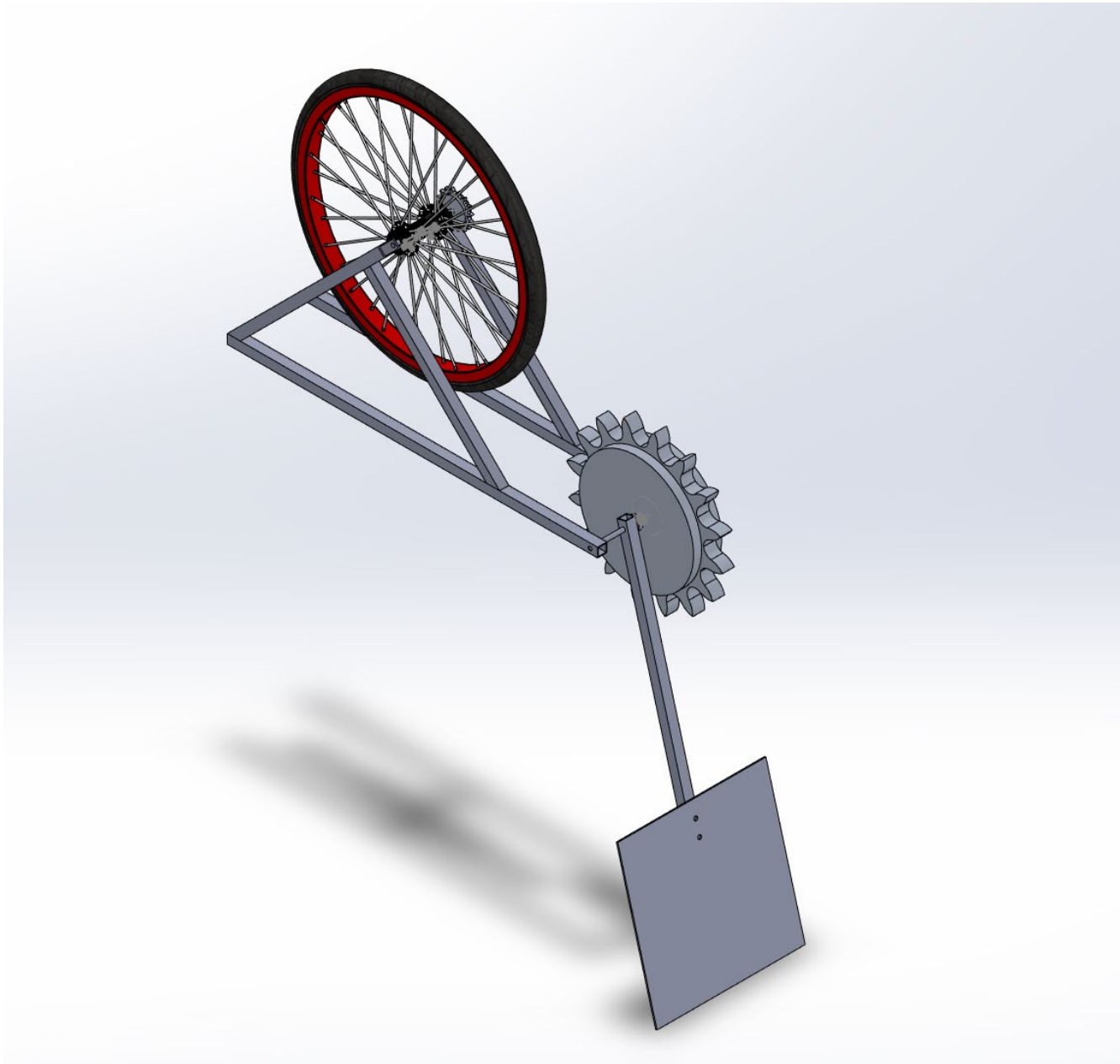
WB42



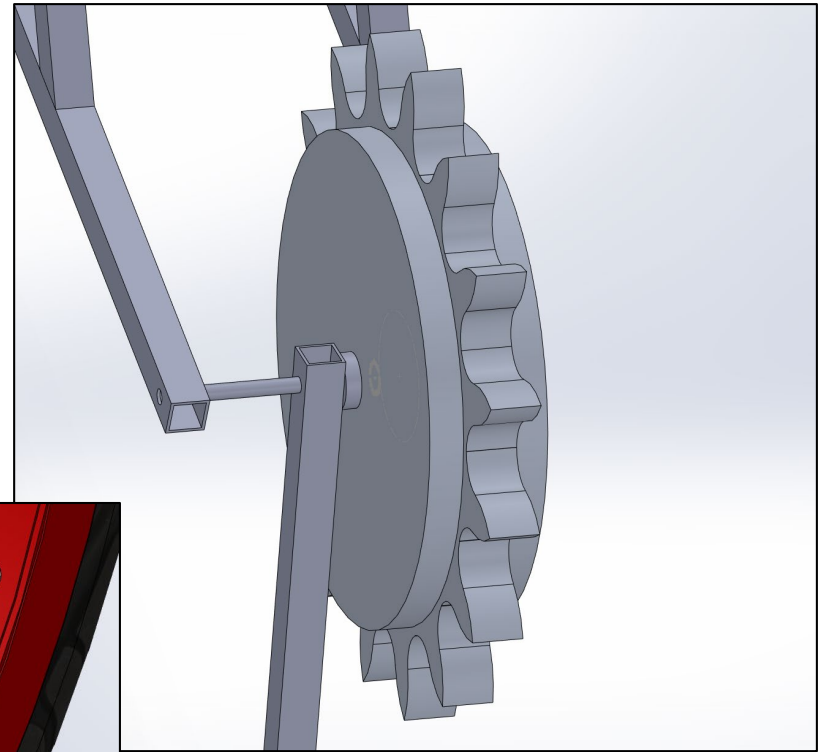
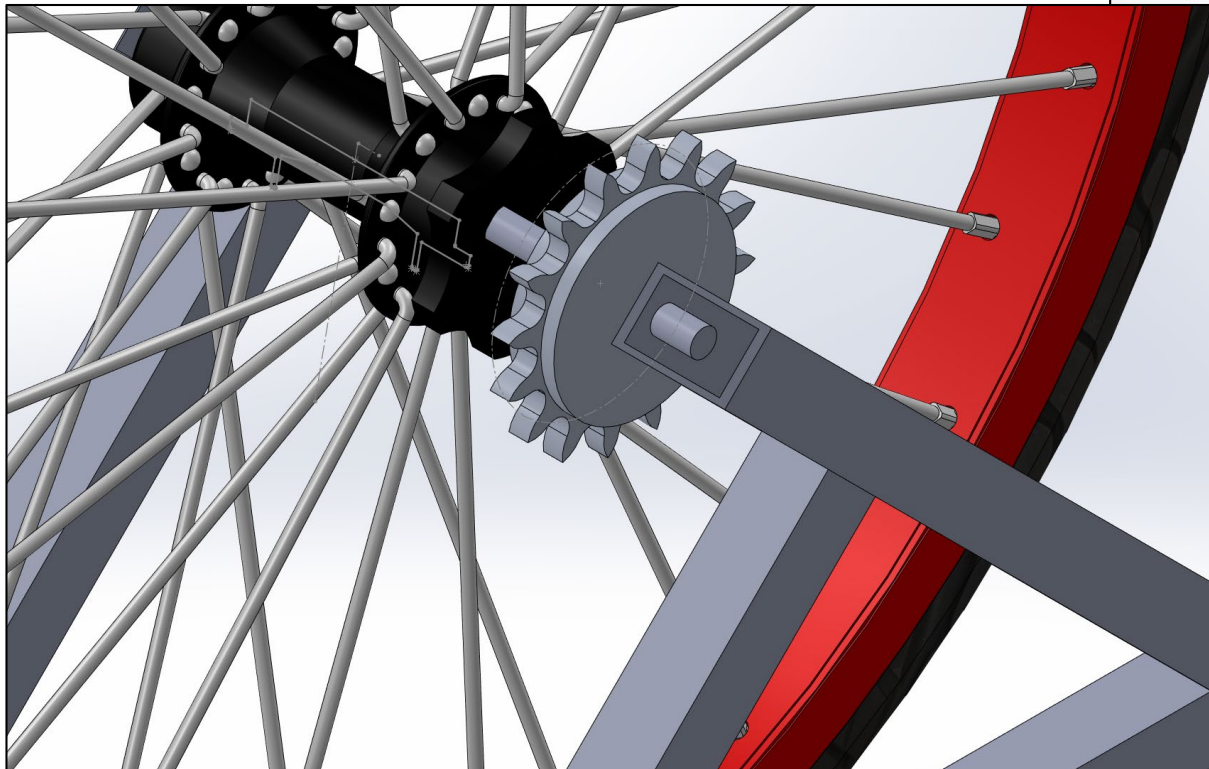
WB43



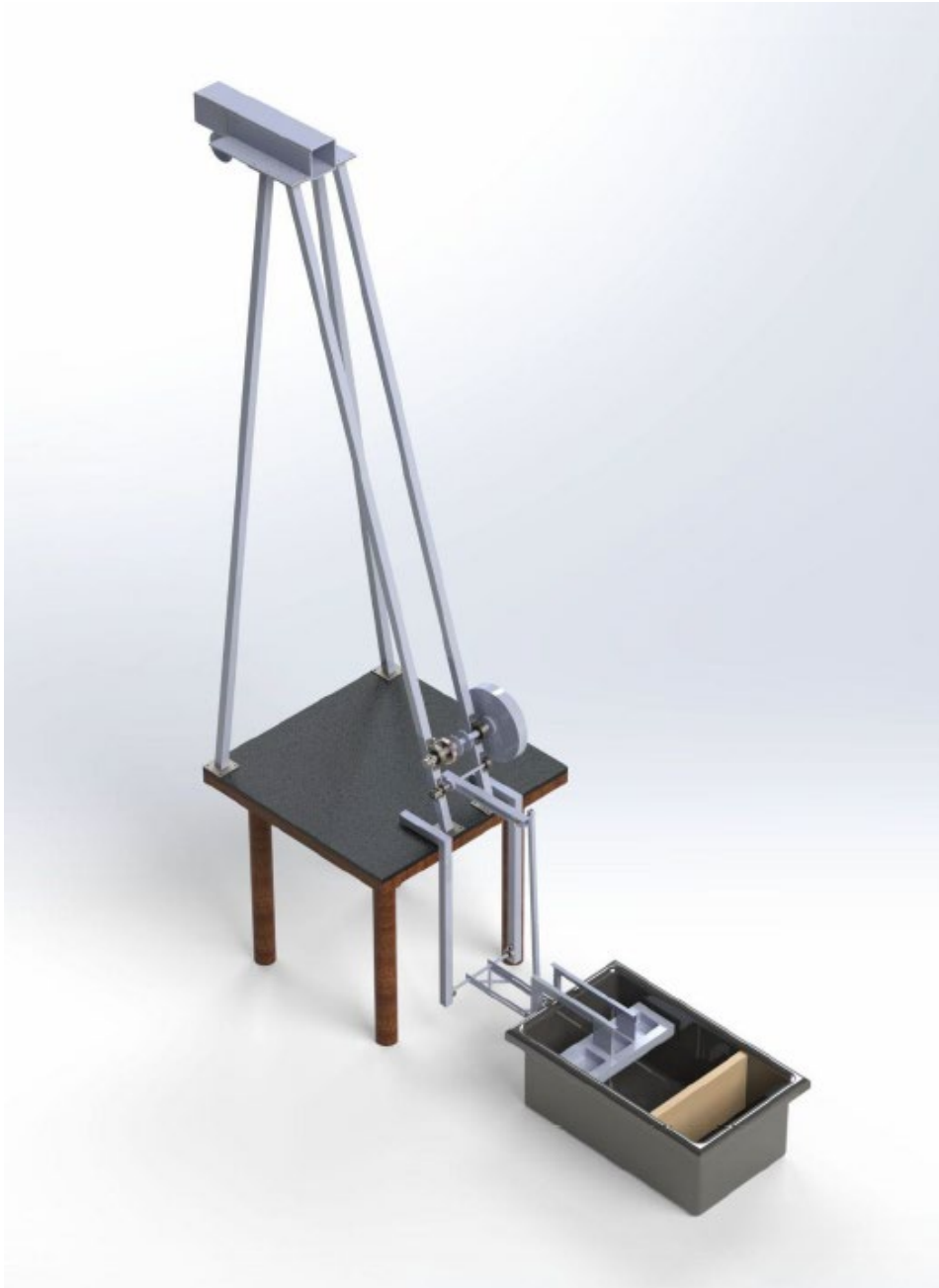
WB43



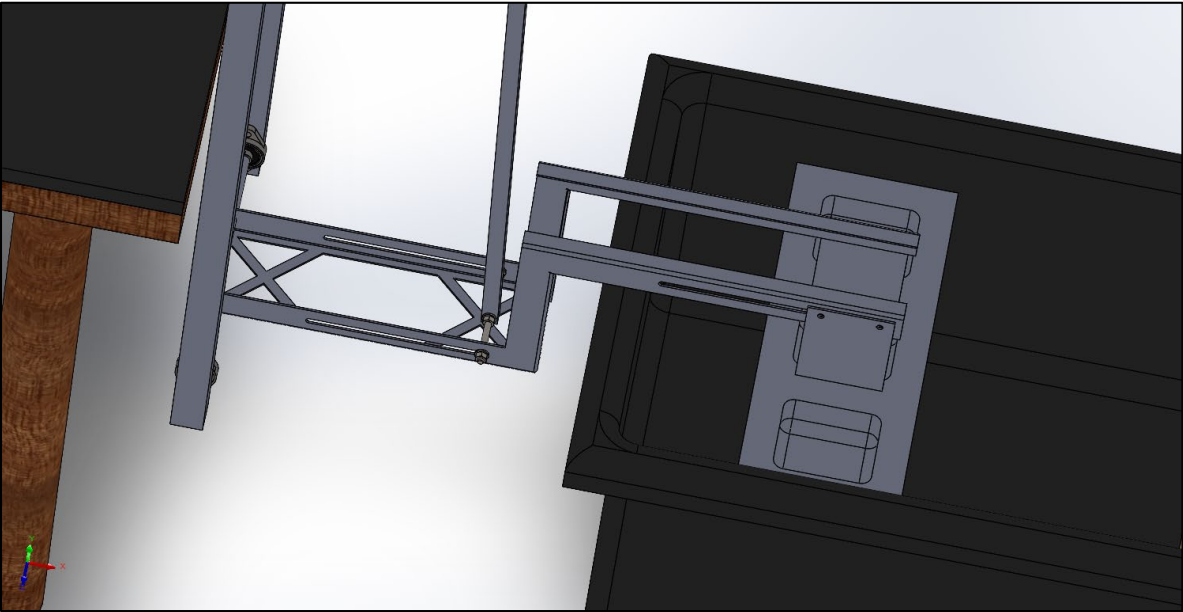
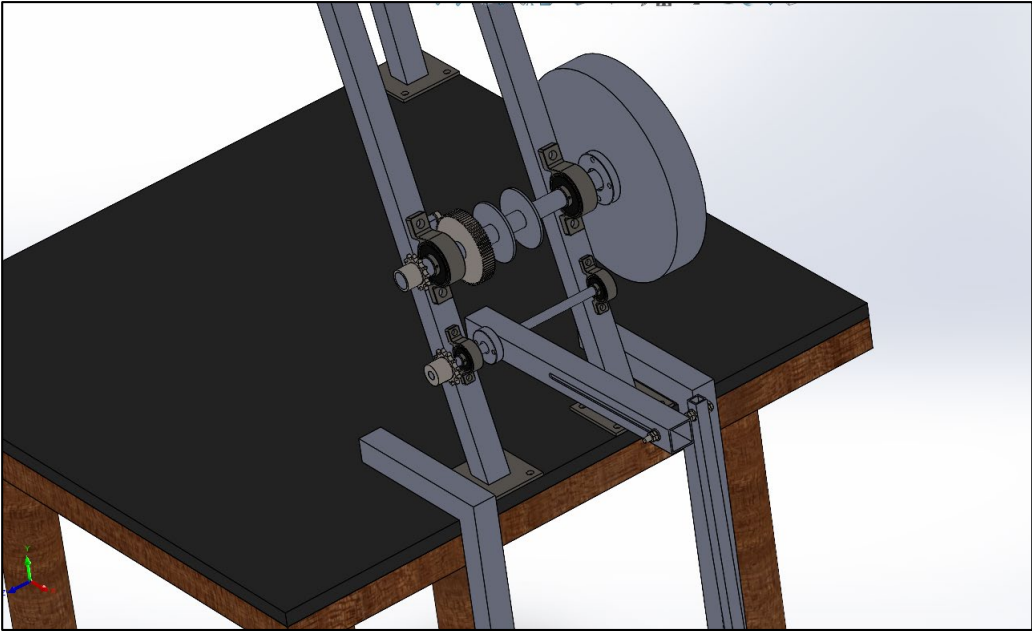
WB44



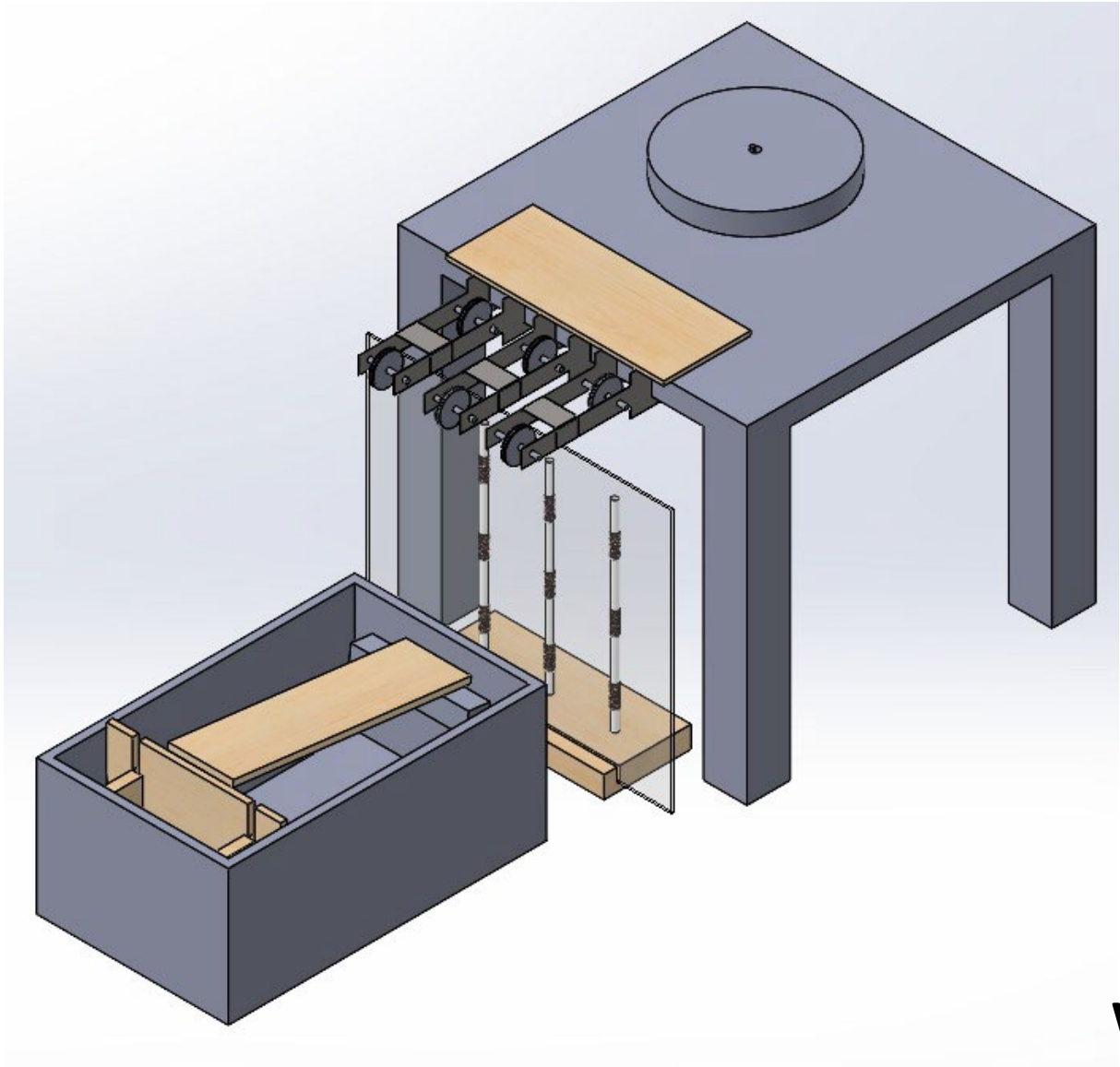
WB44



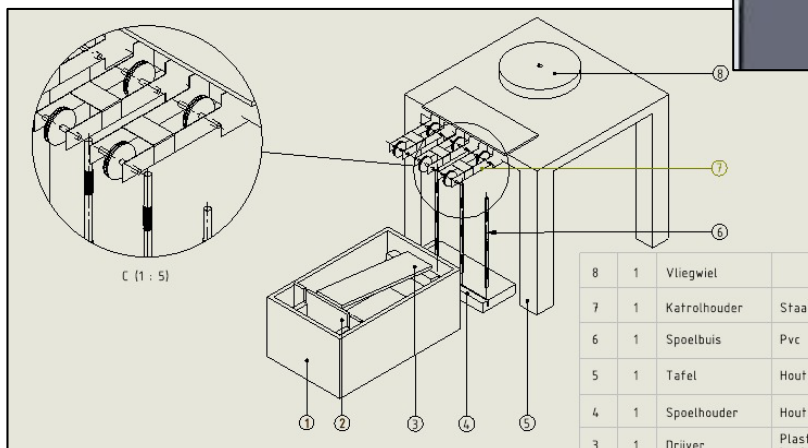
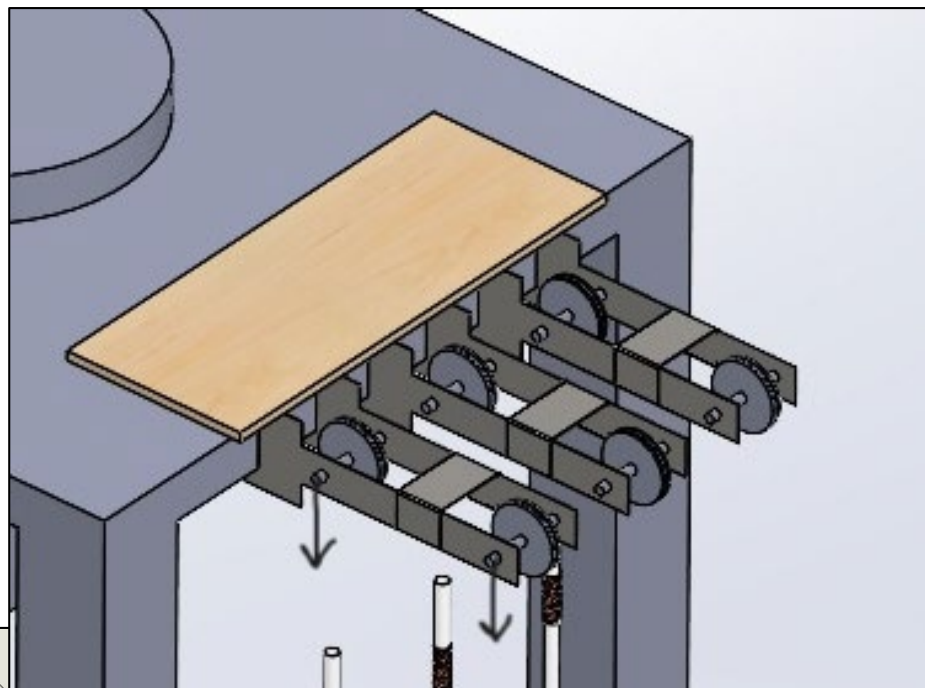
WB45



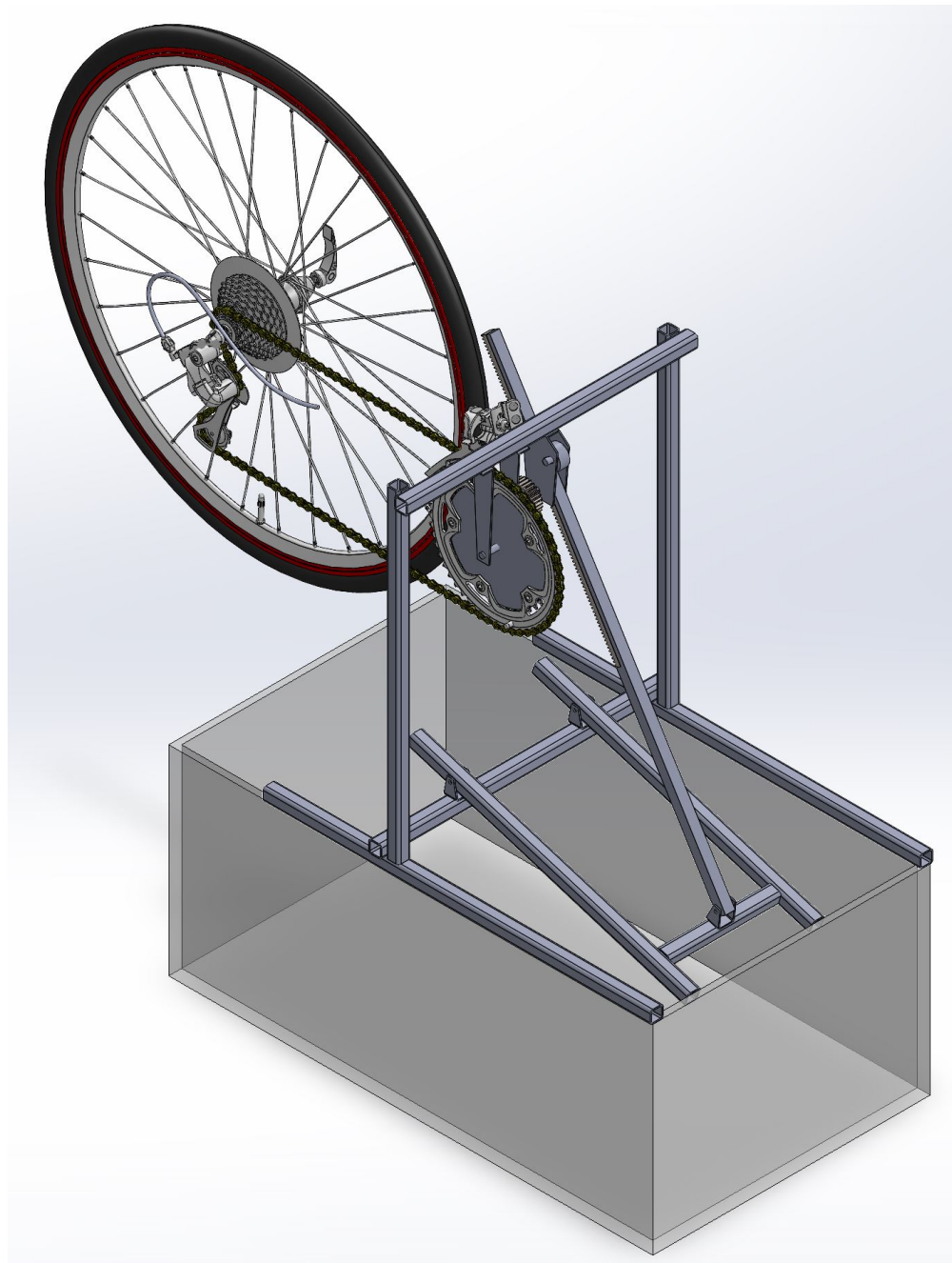
WB45



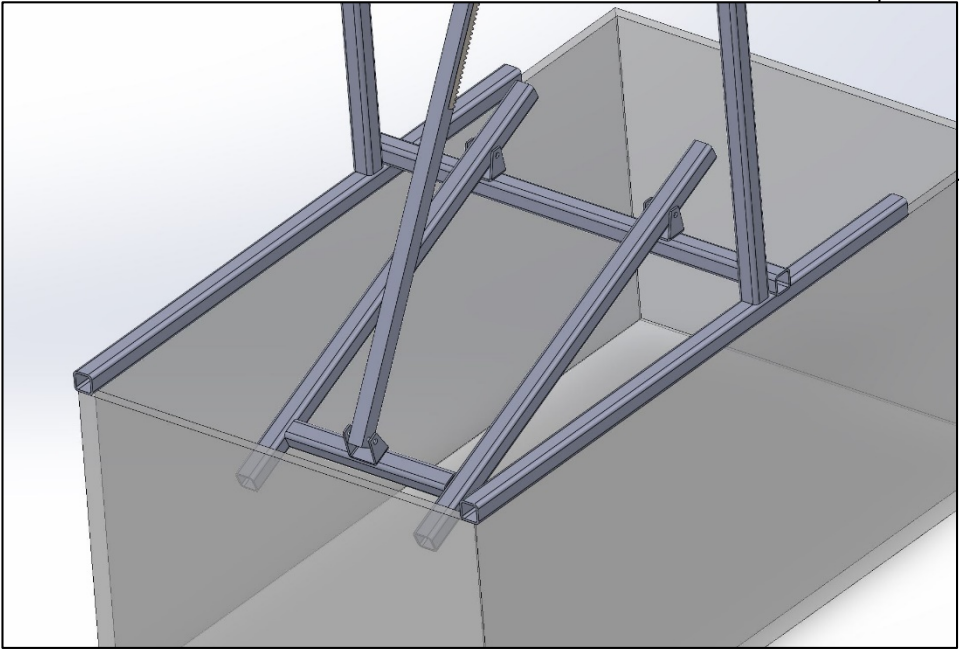
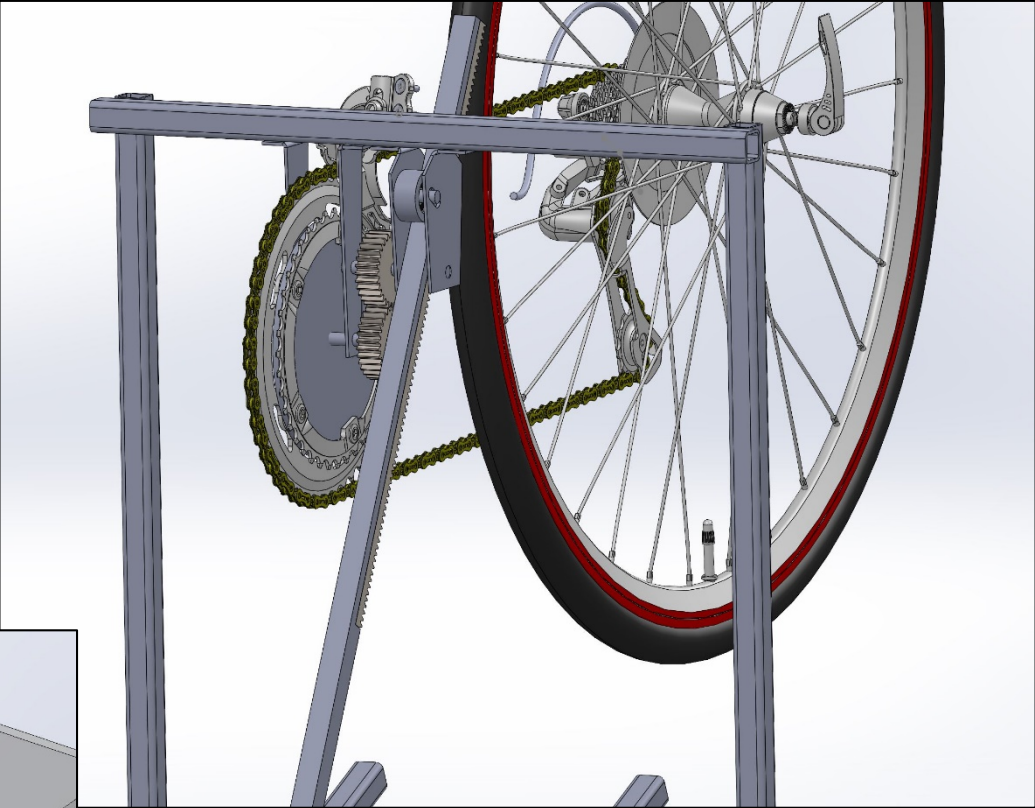
WB46



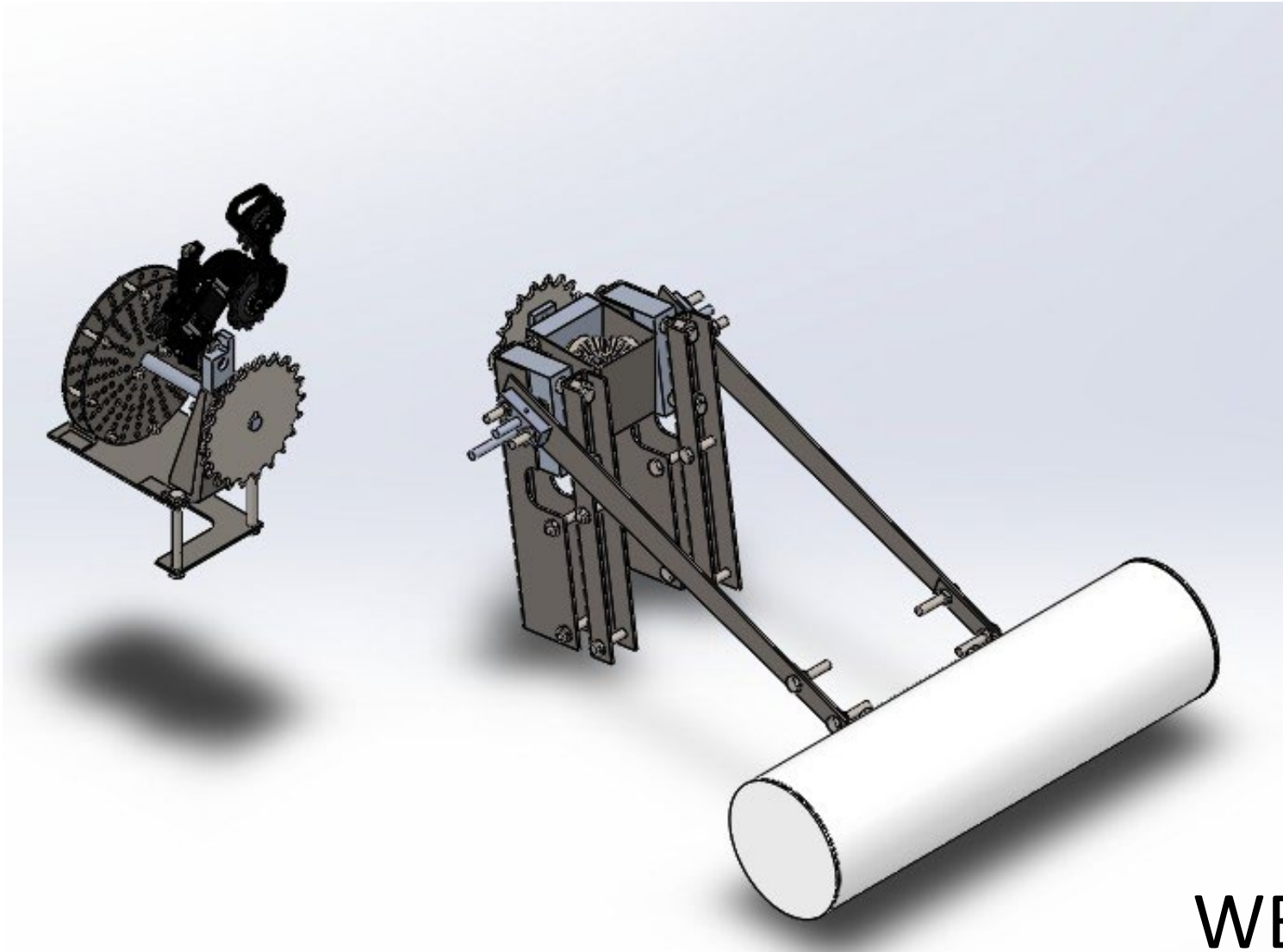
WB46



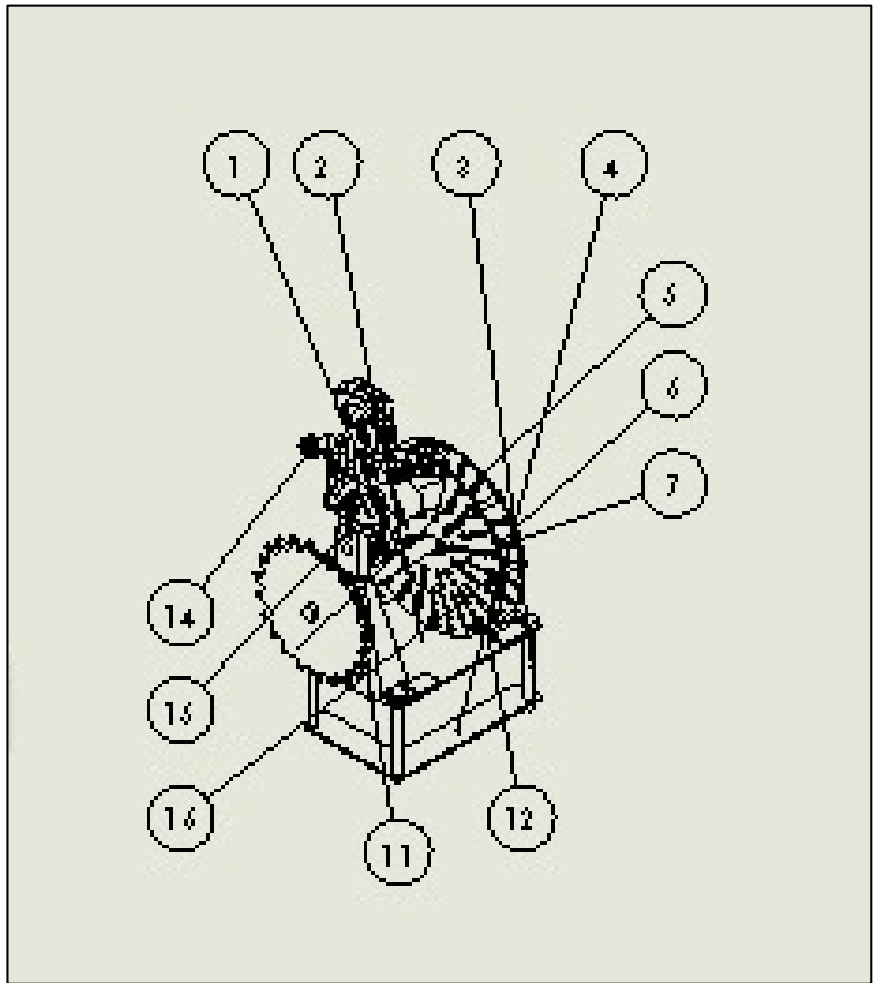
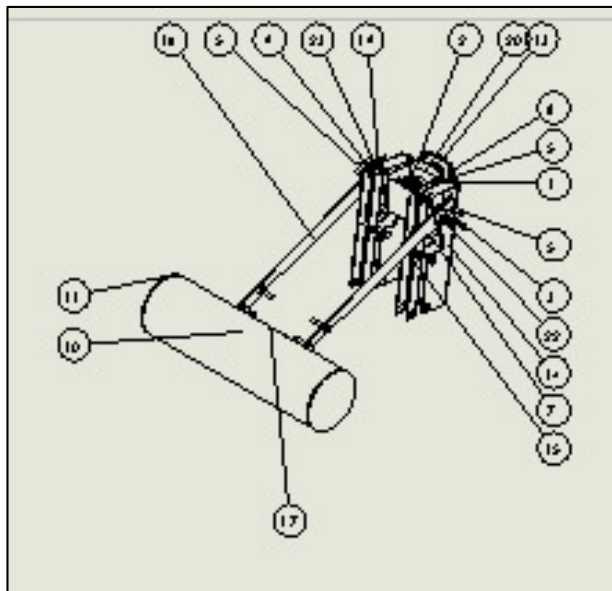
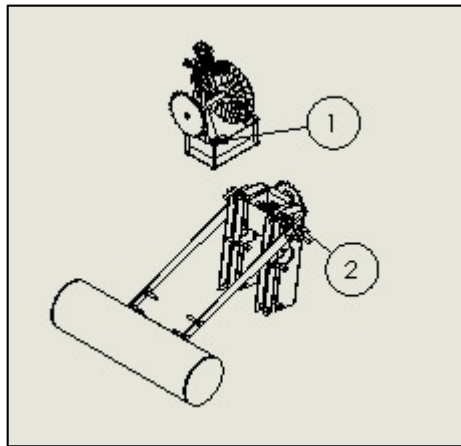
WB47



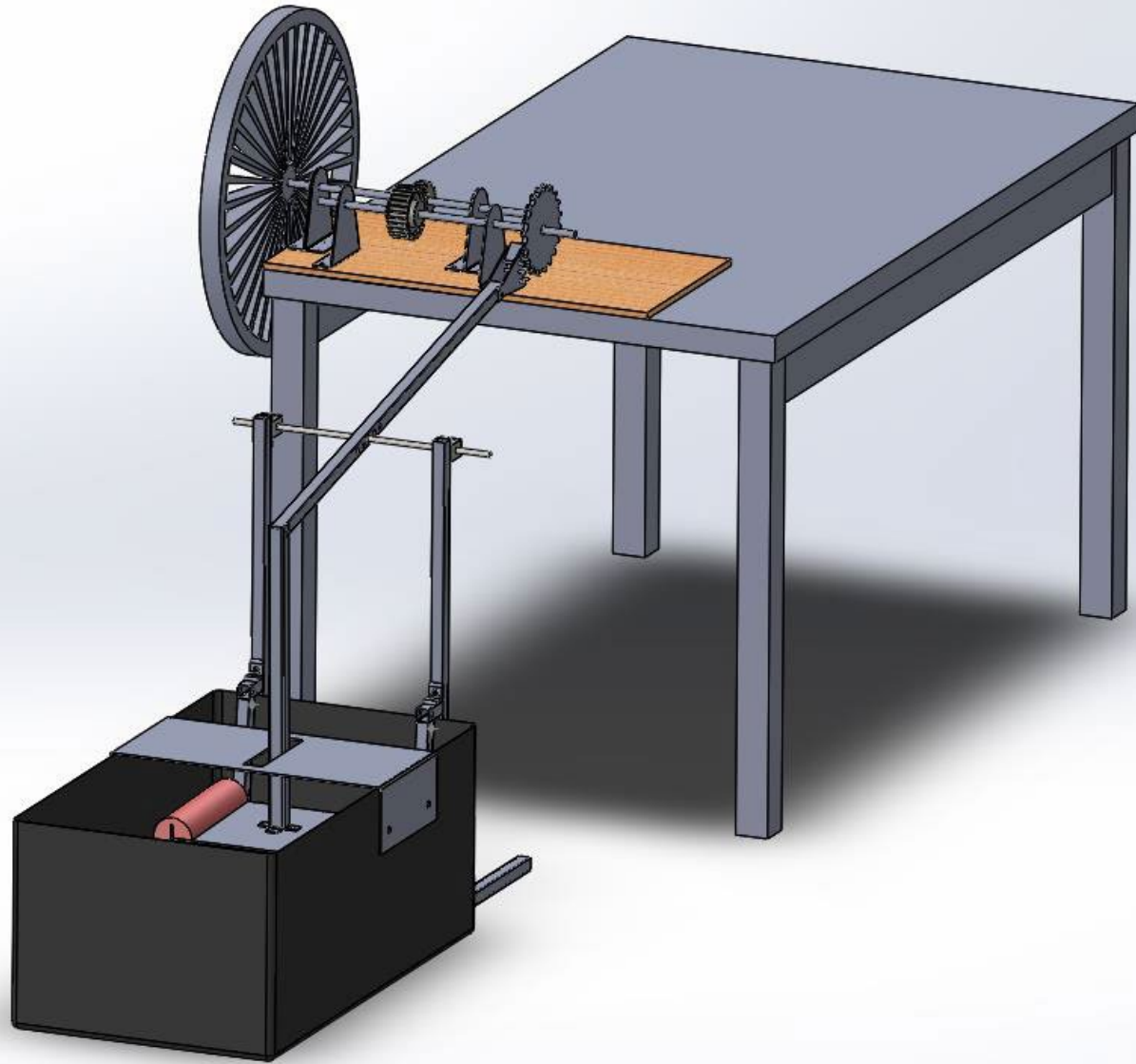
WB47



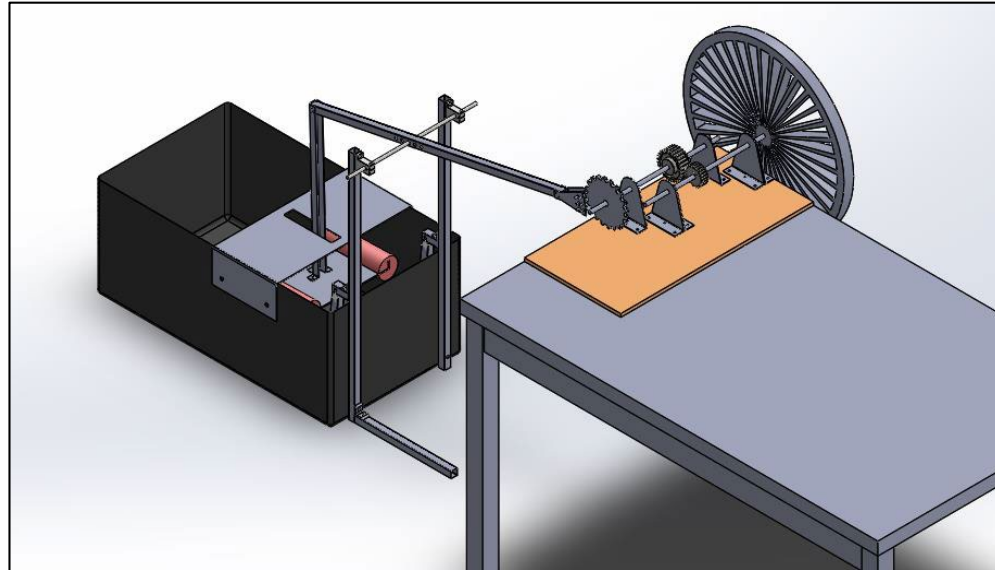
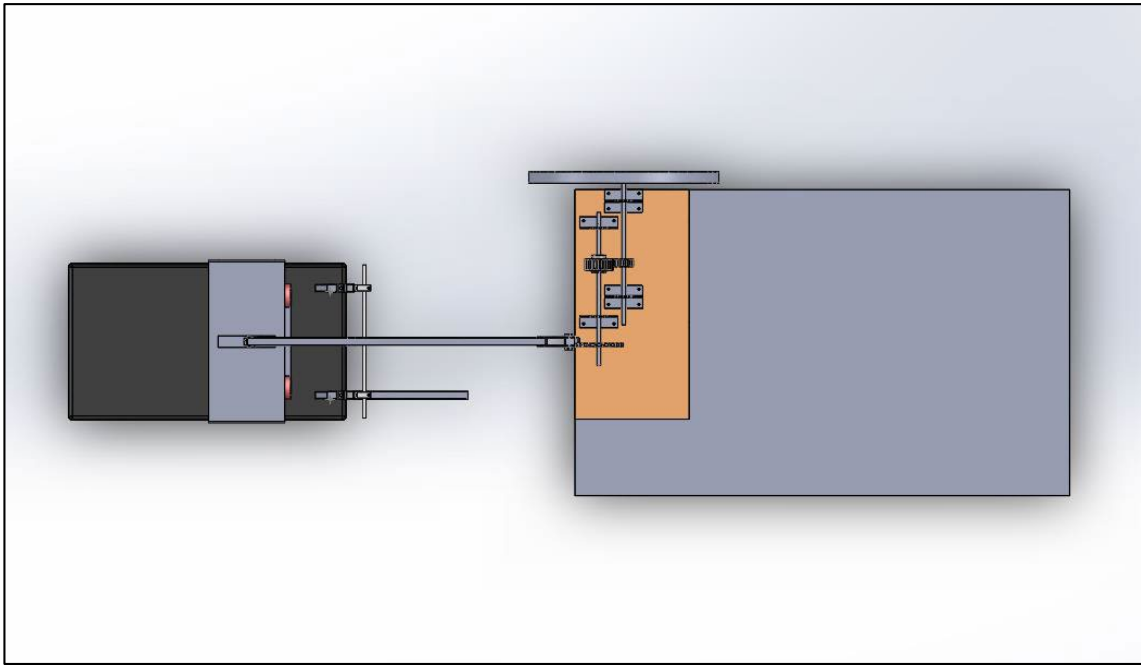
WB48



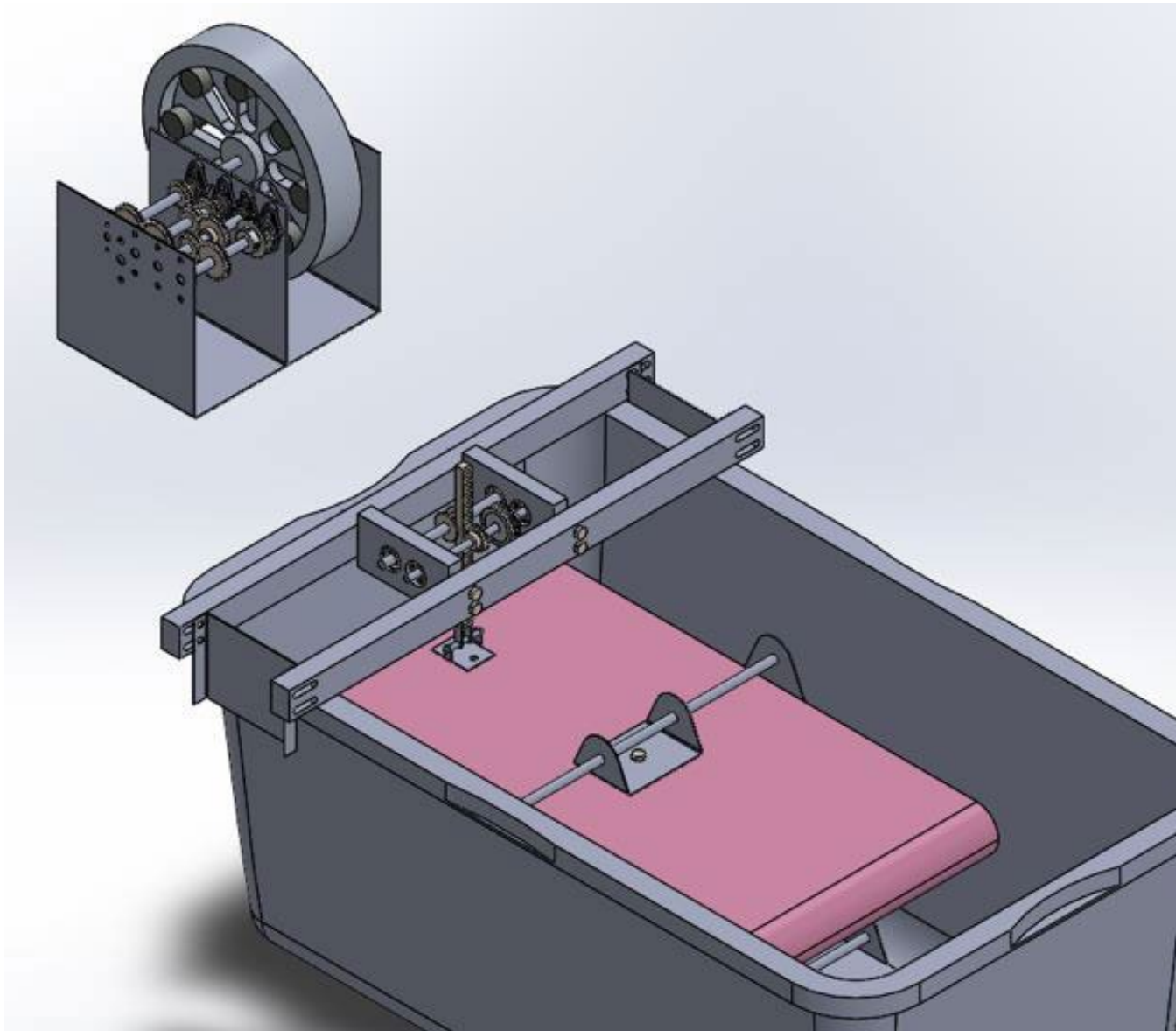
WB48



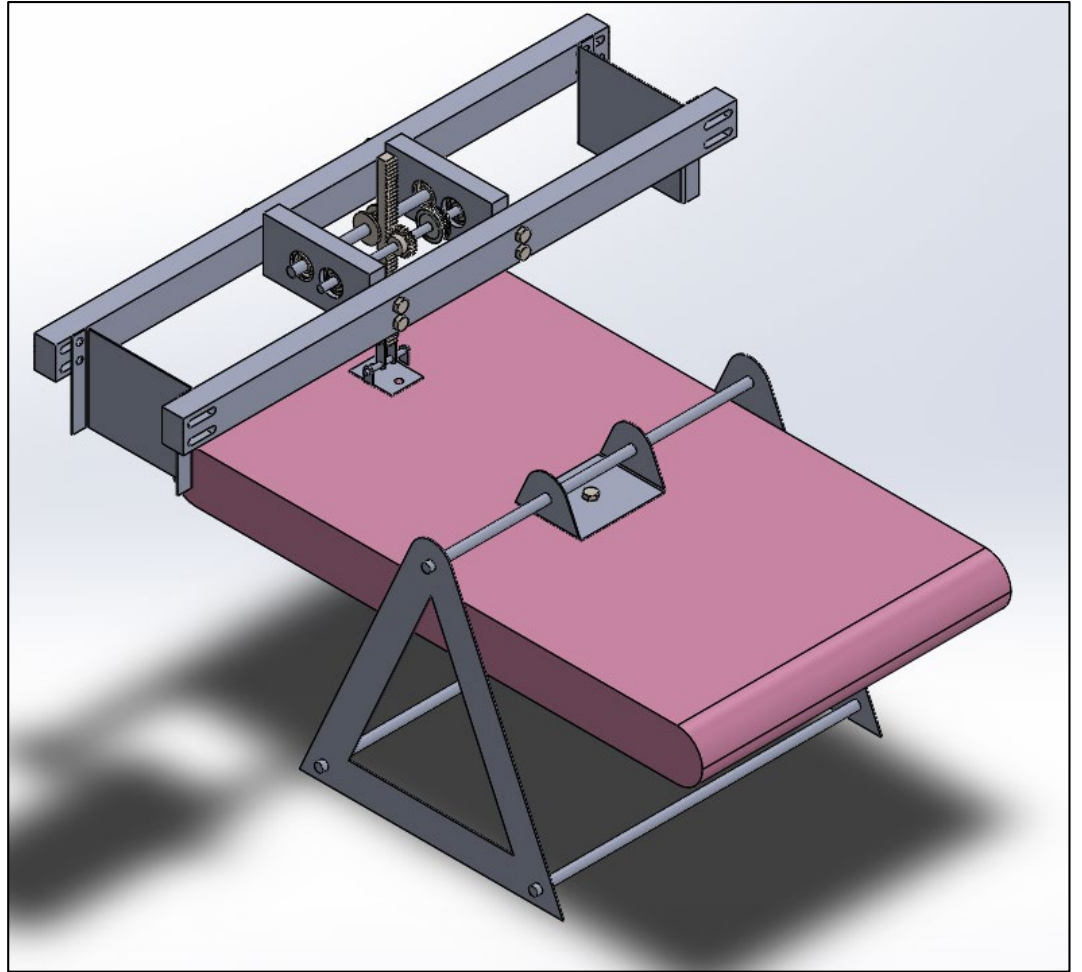
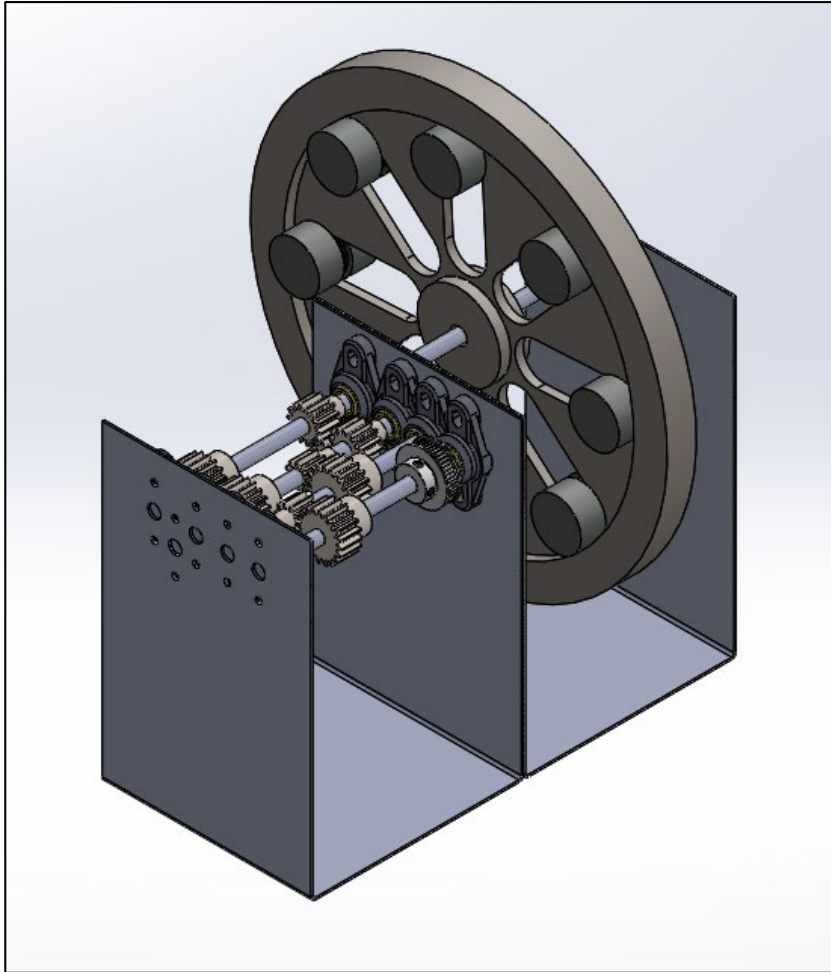
WB49



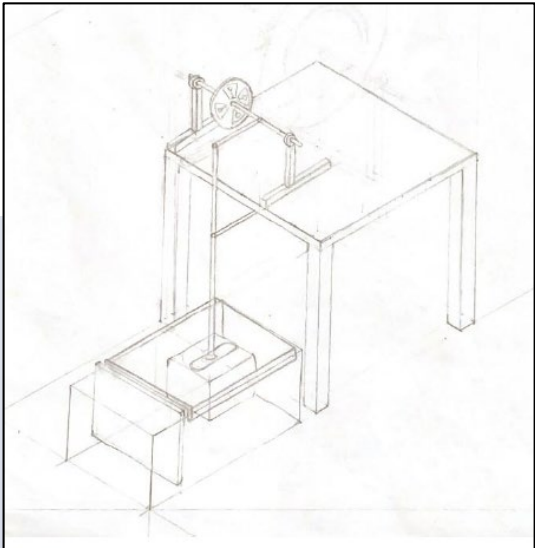
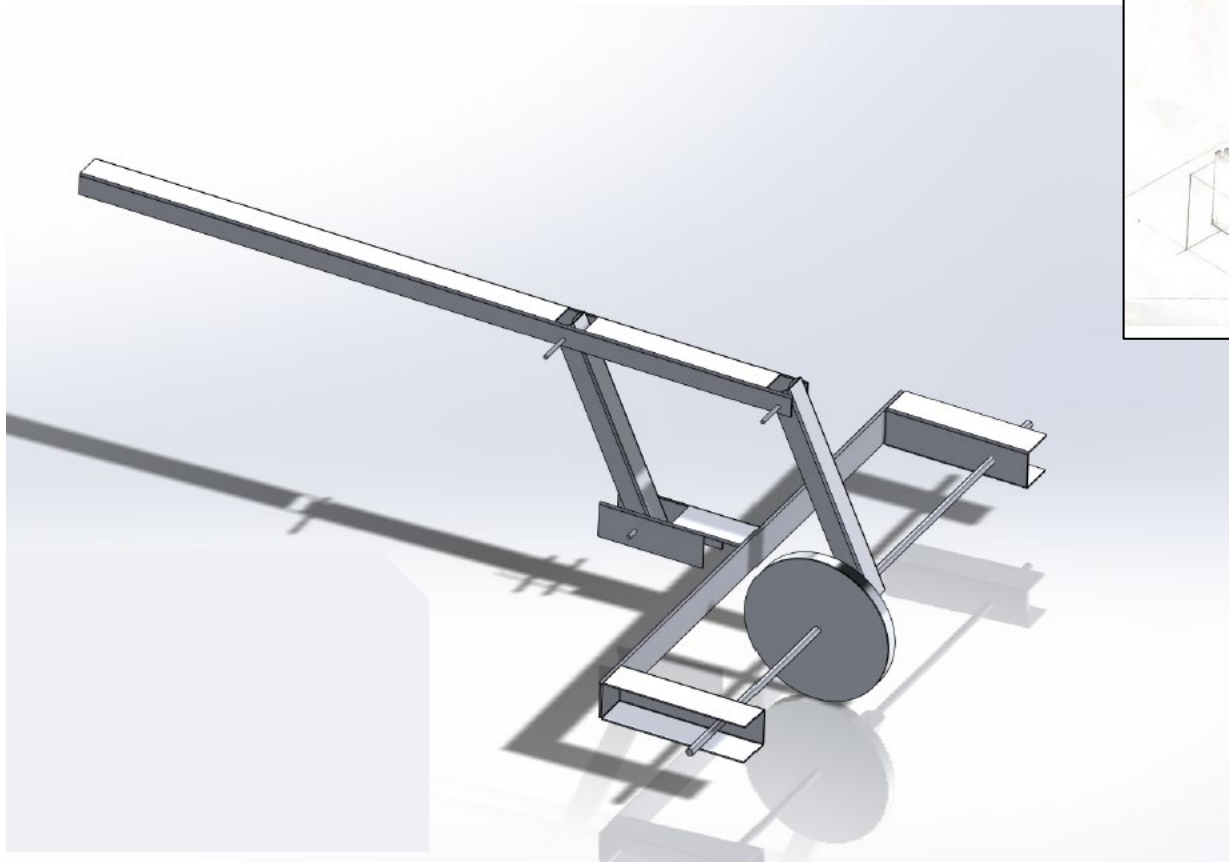
WB49



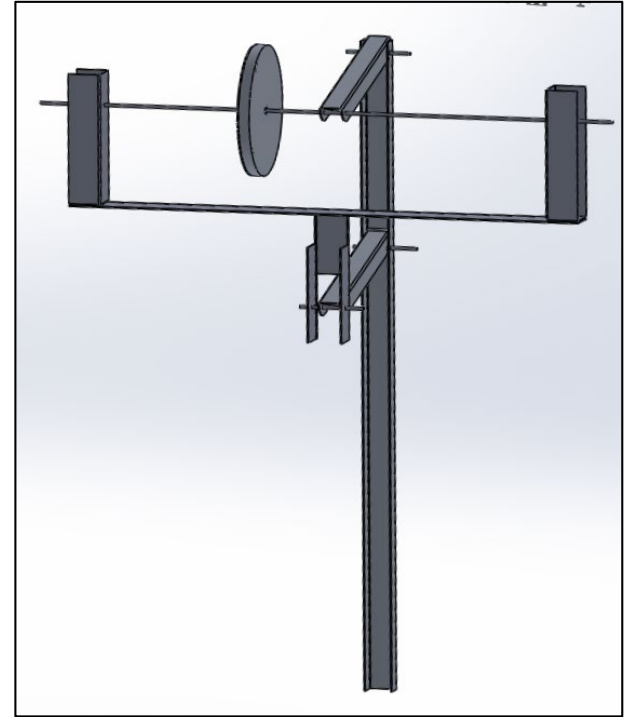
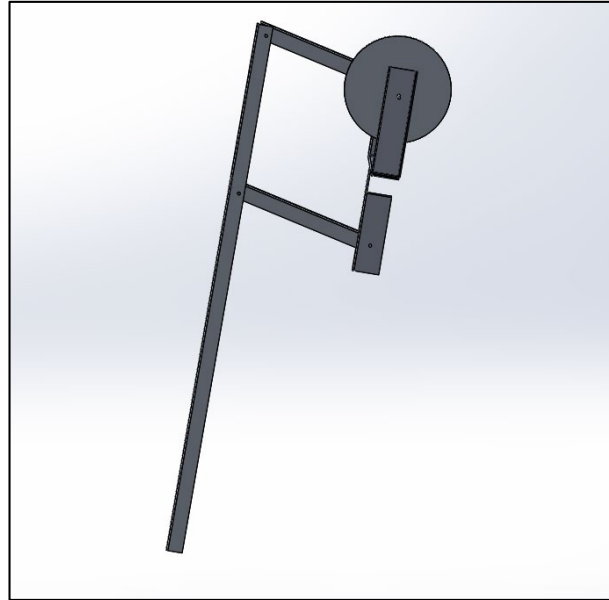
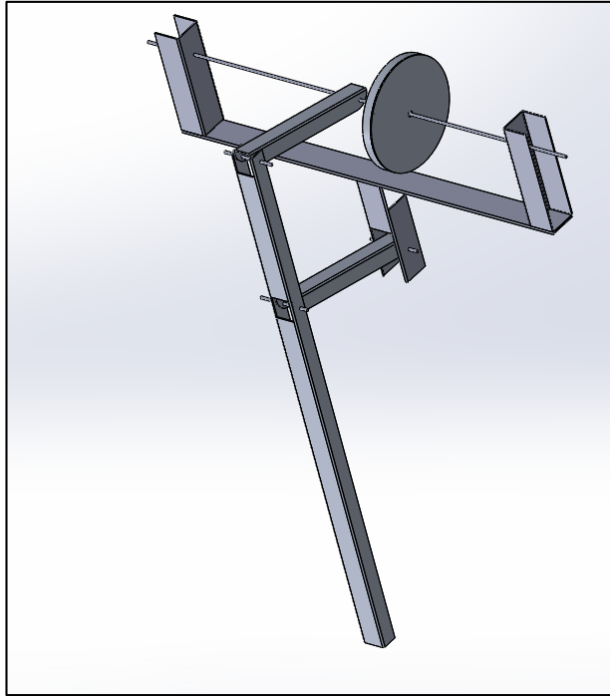
WB50



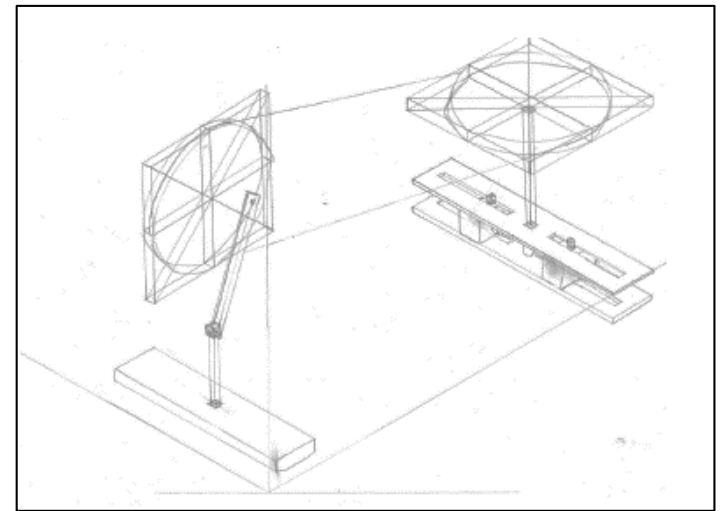
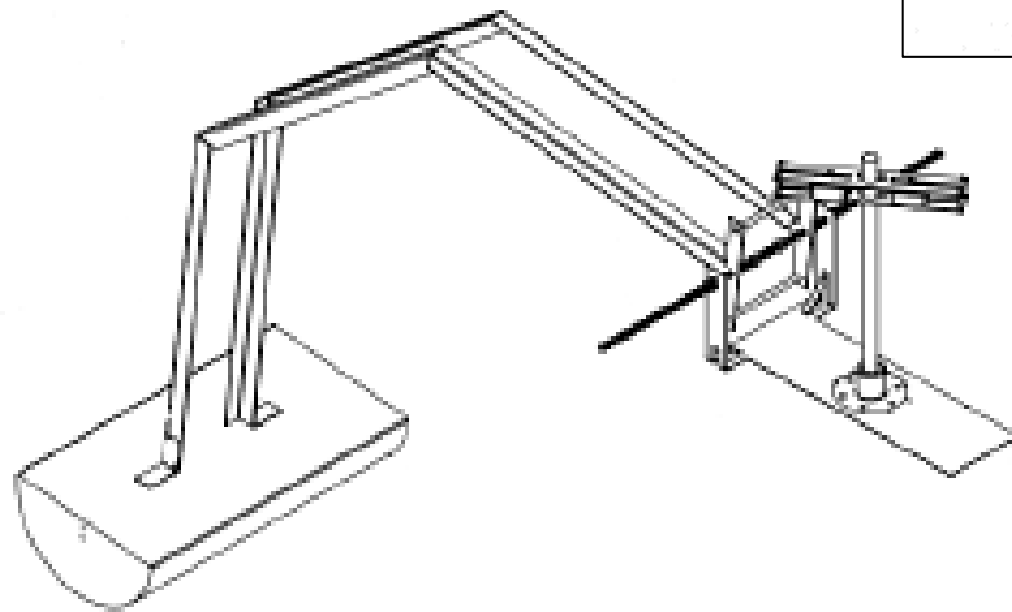
WB50



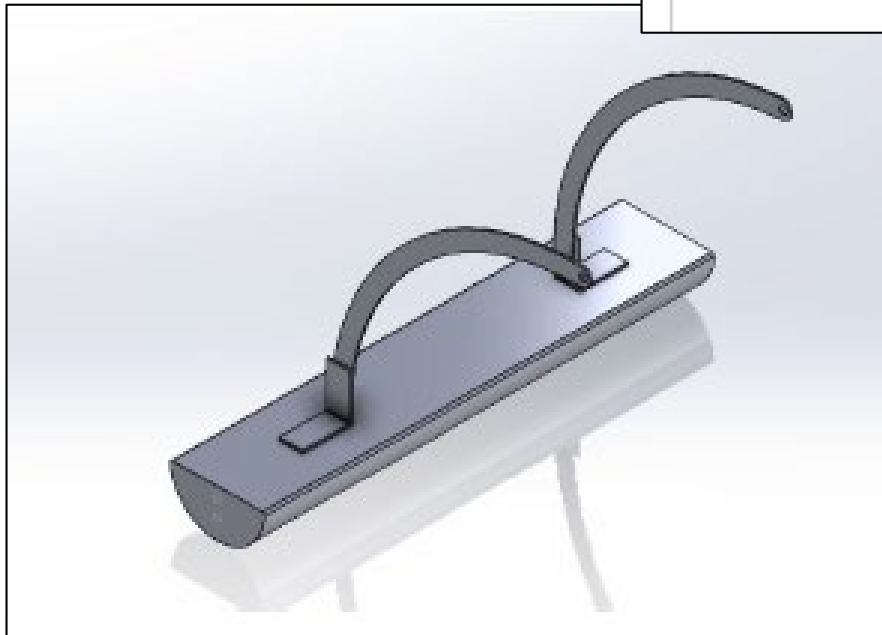
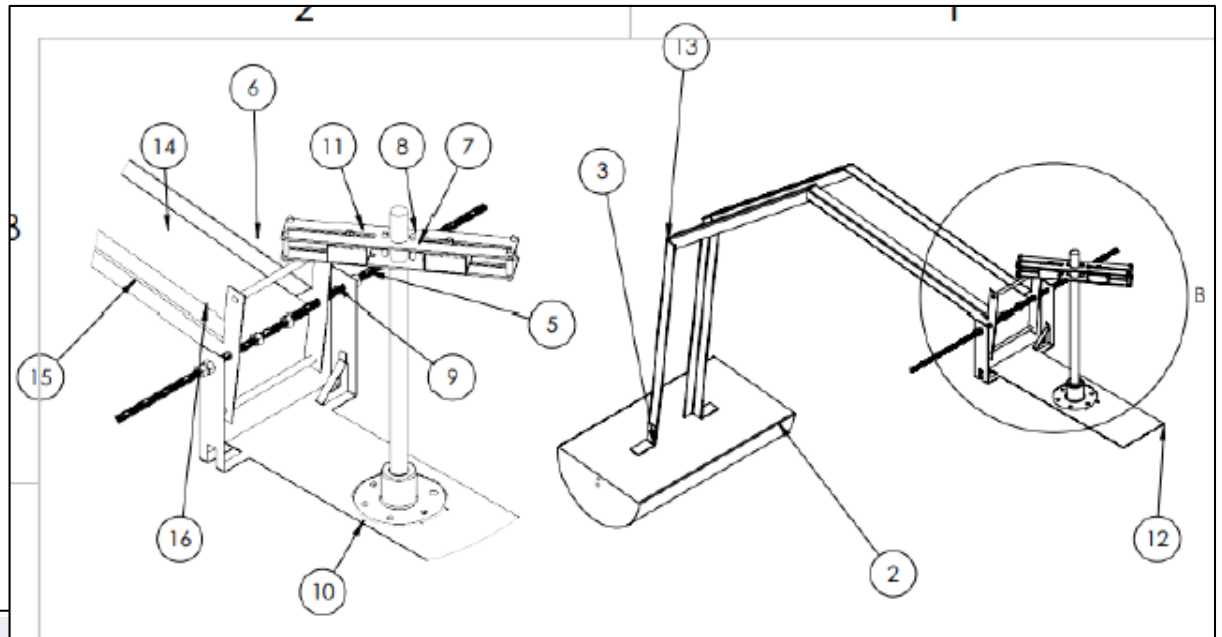
WB51



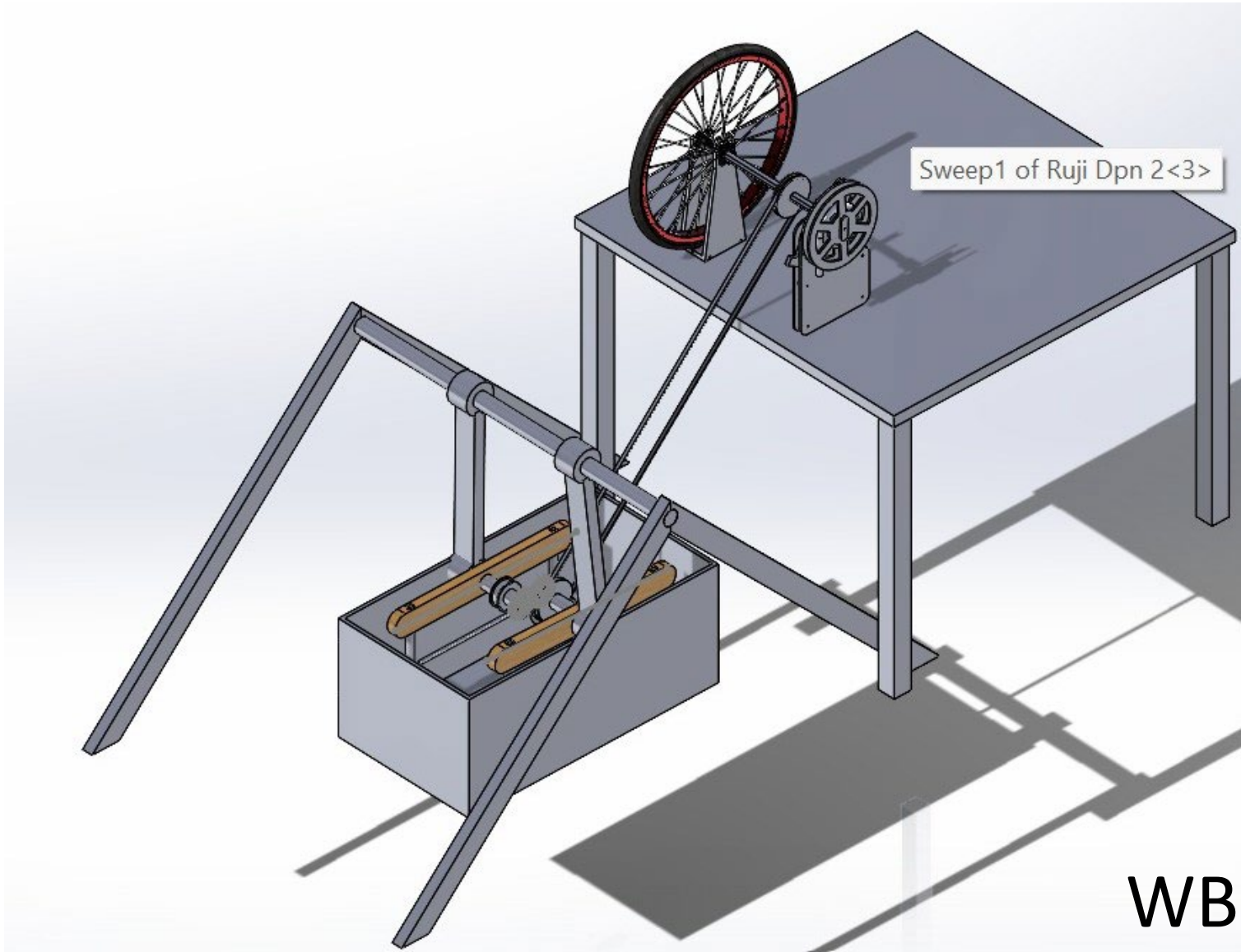
WB51



WB52

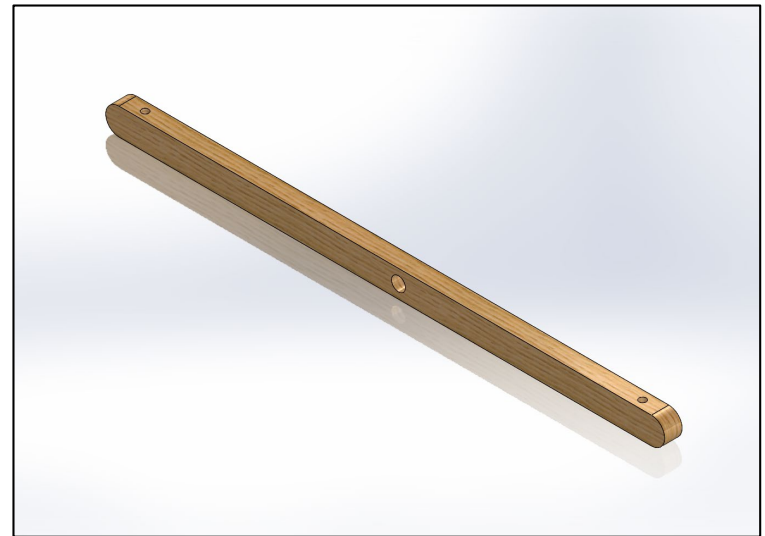
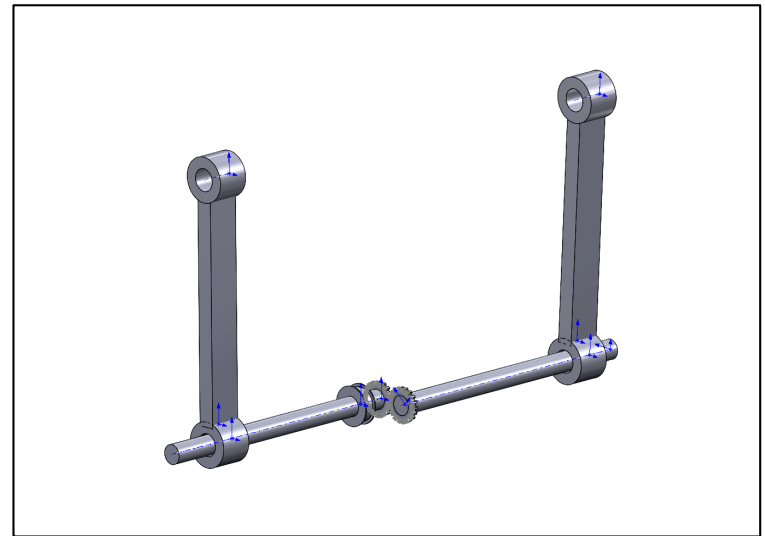
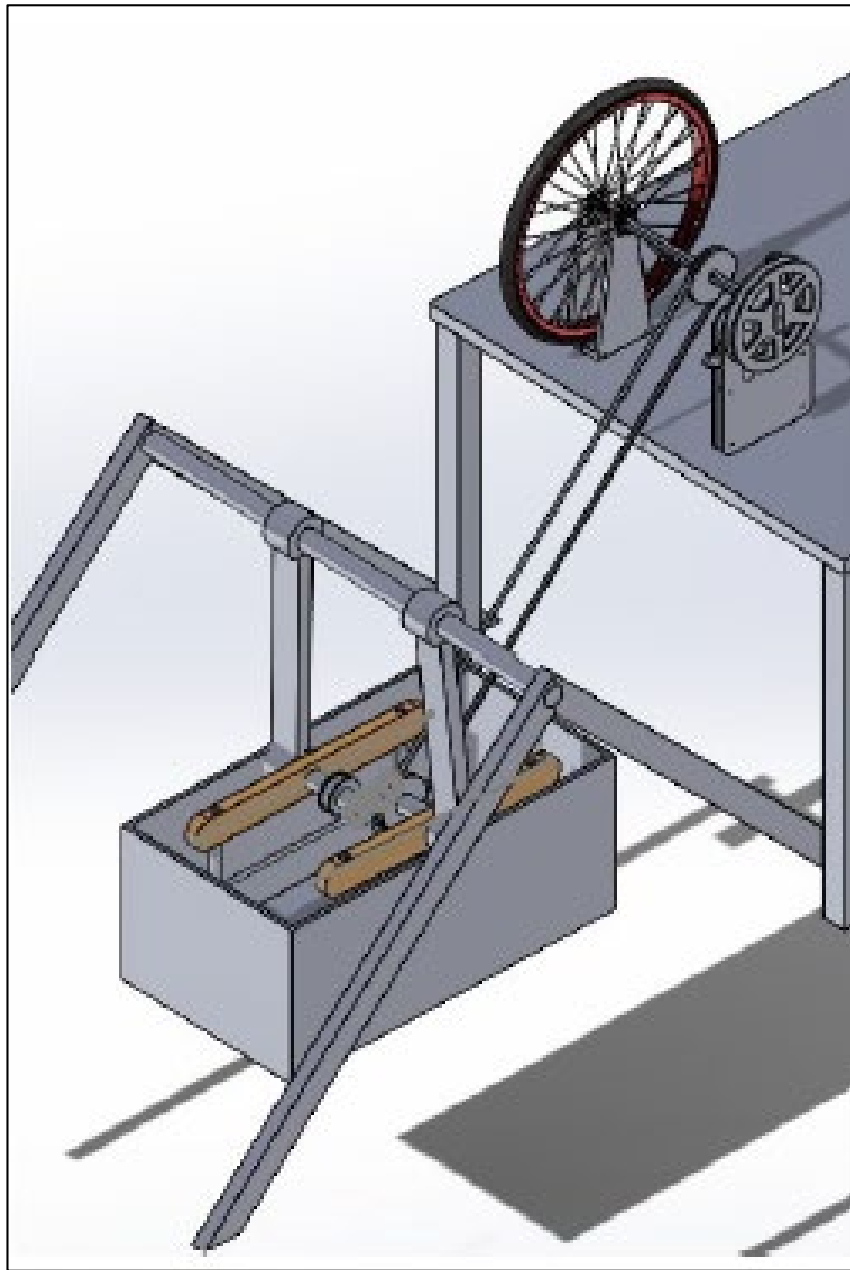


WB52

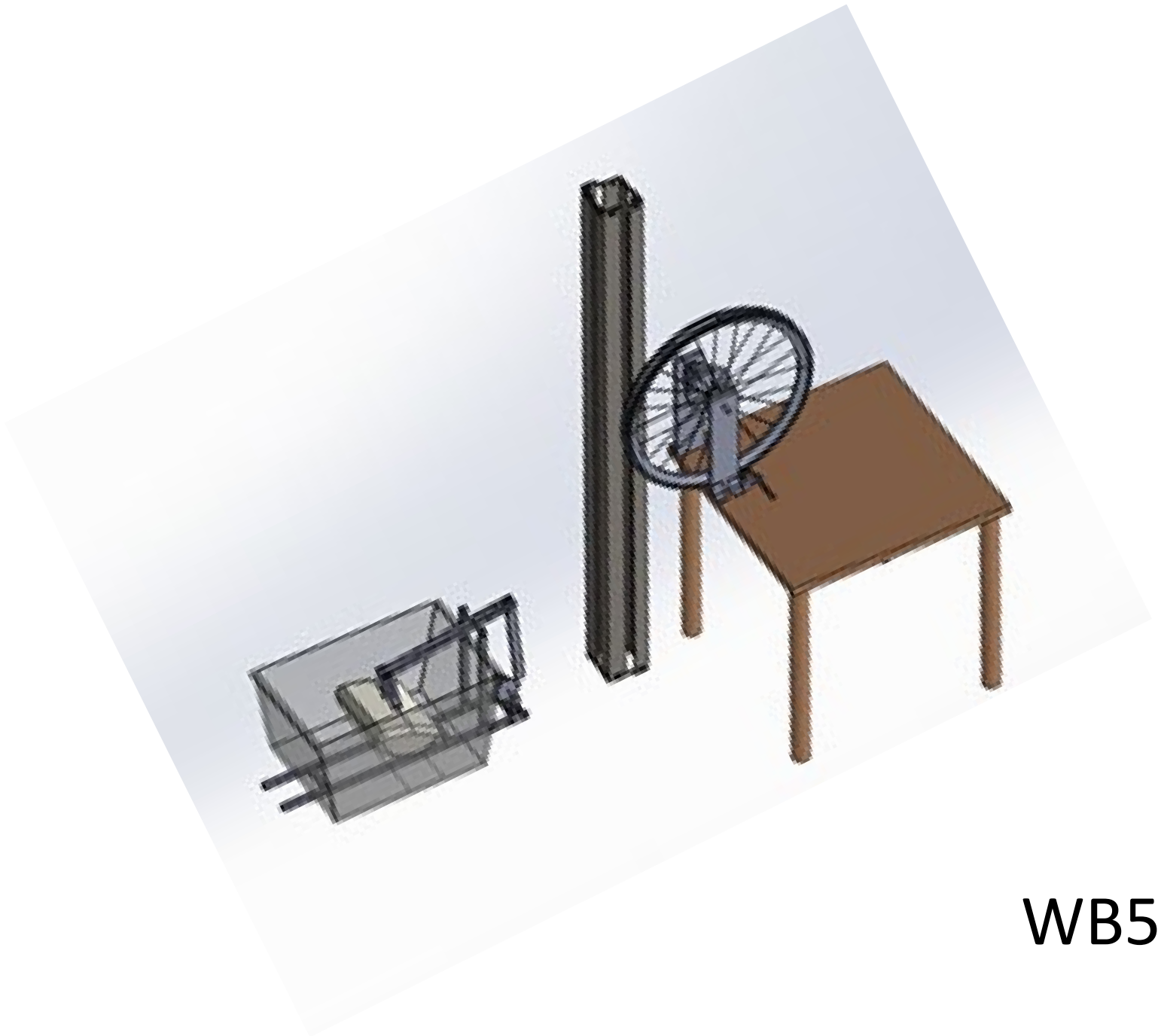


Sweep1 of Ruji Dpn 2<3>

WB53



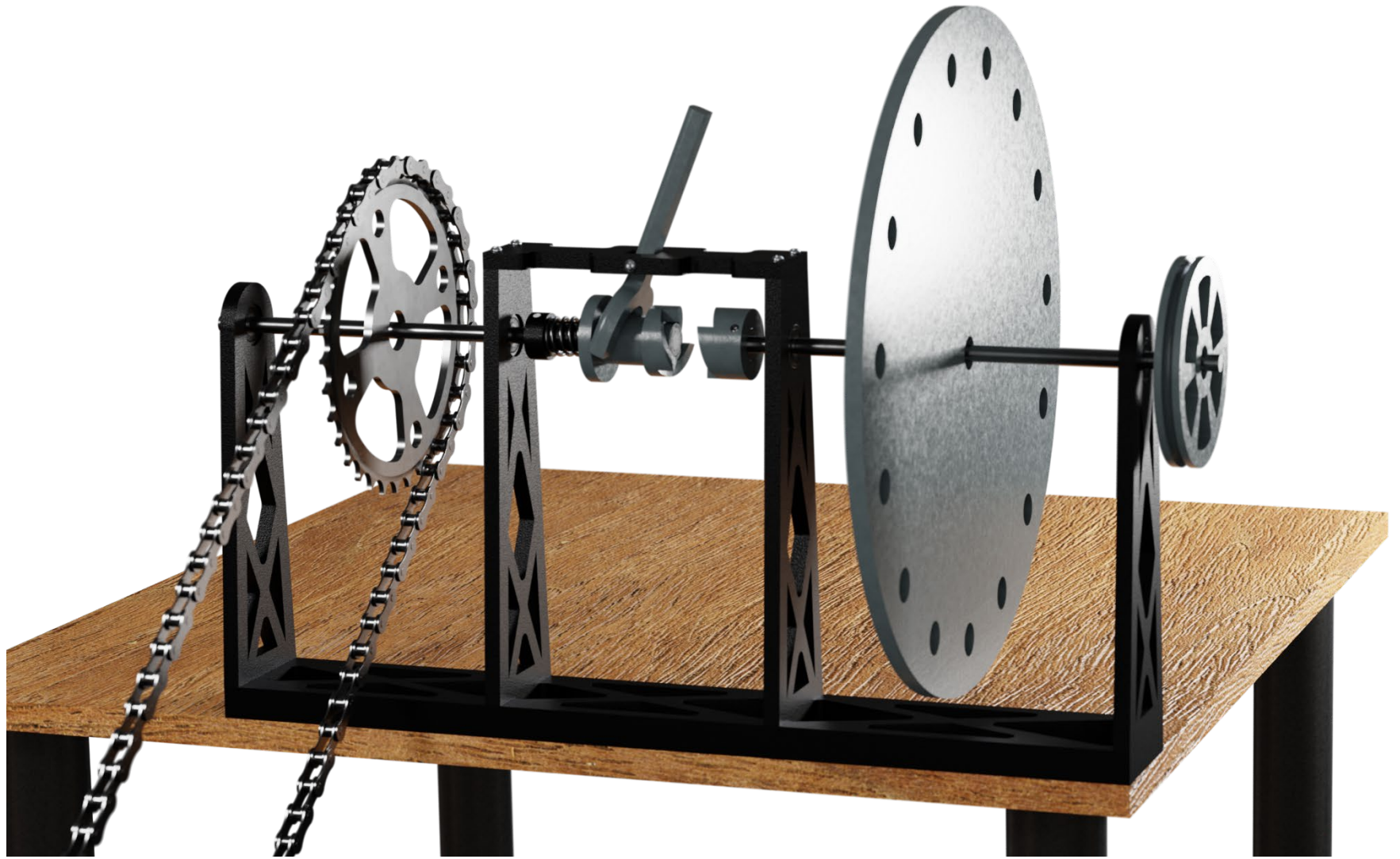
WB53



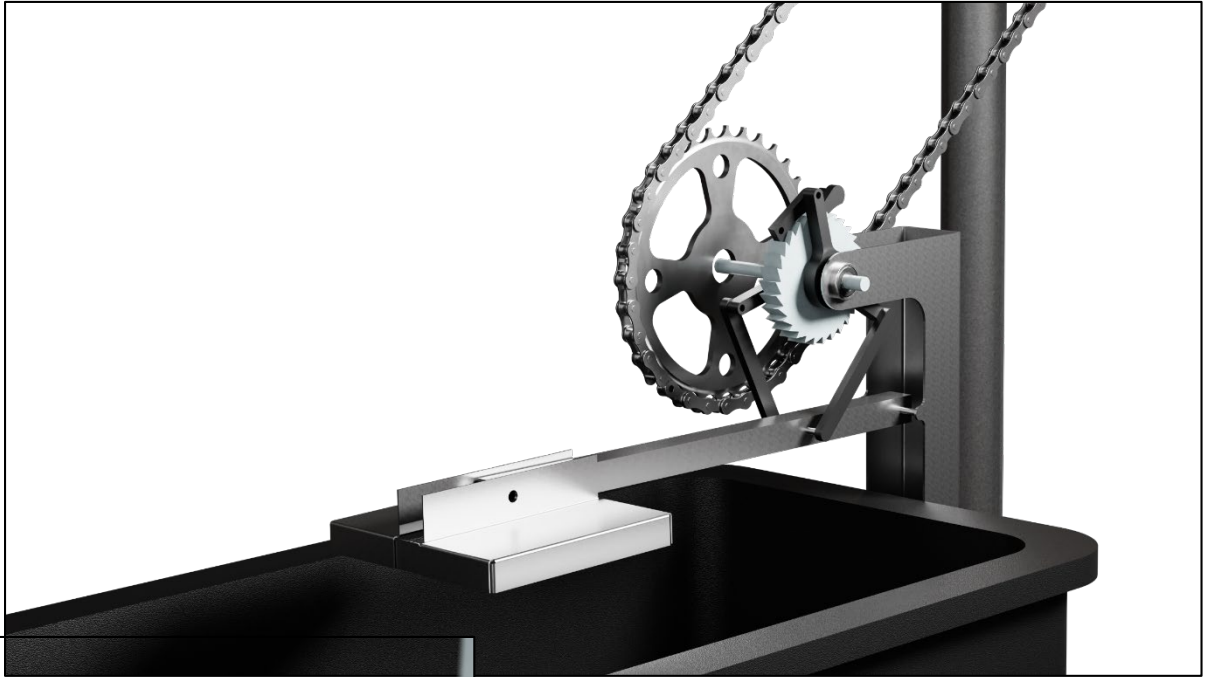
WB54



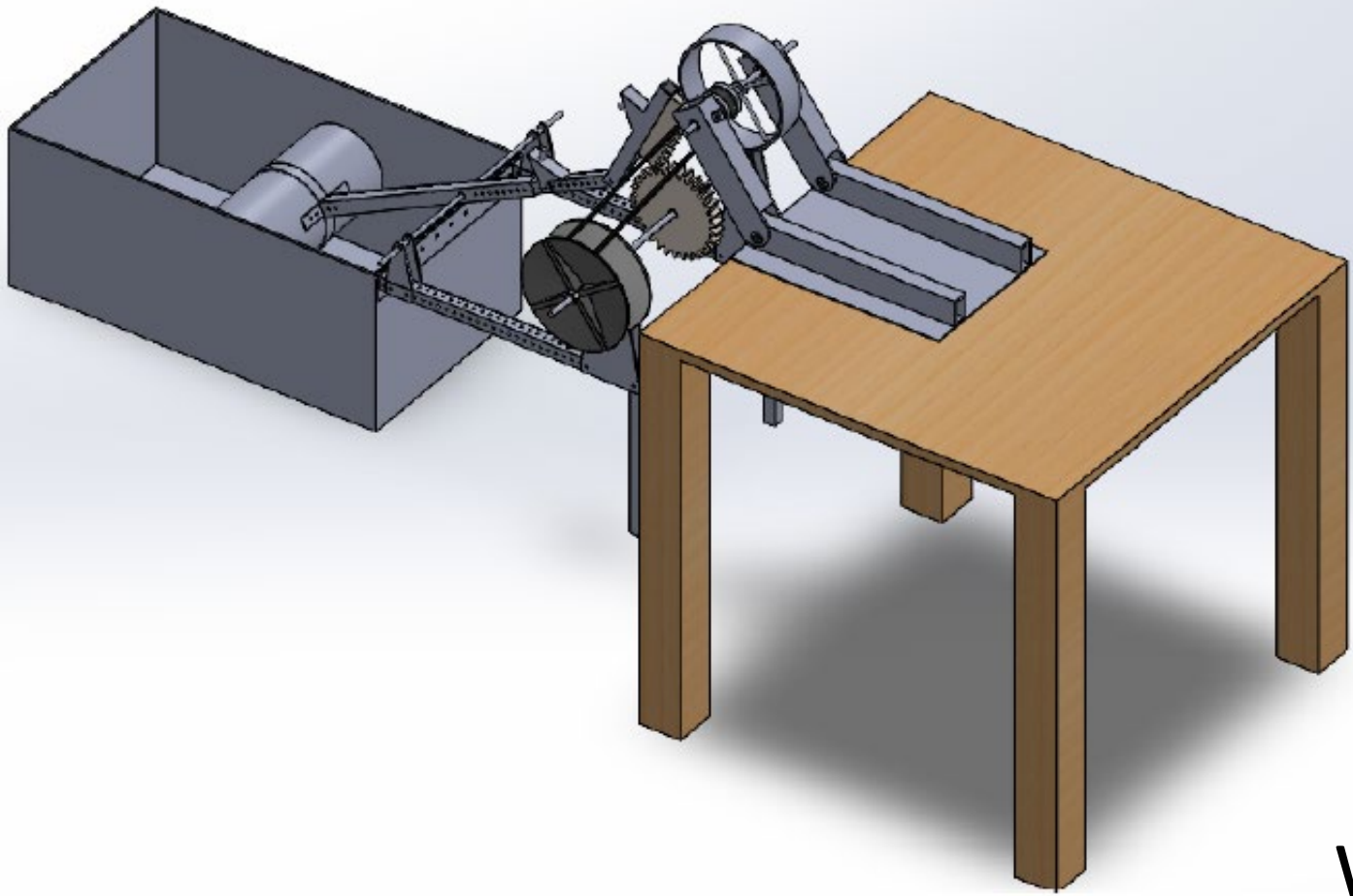
WB54



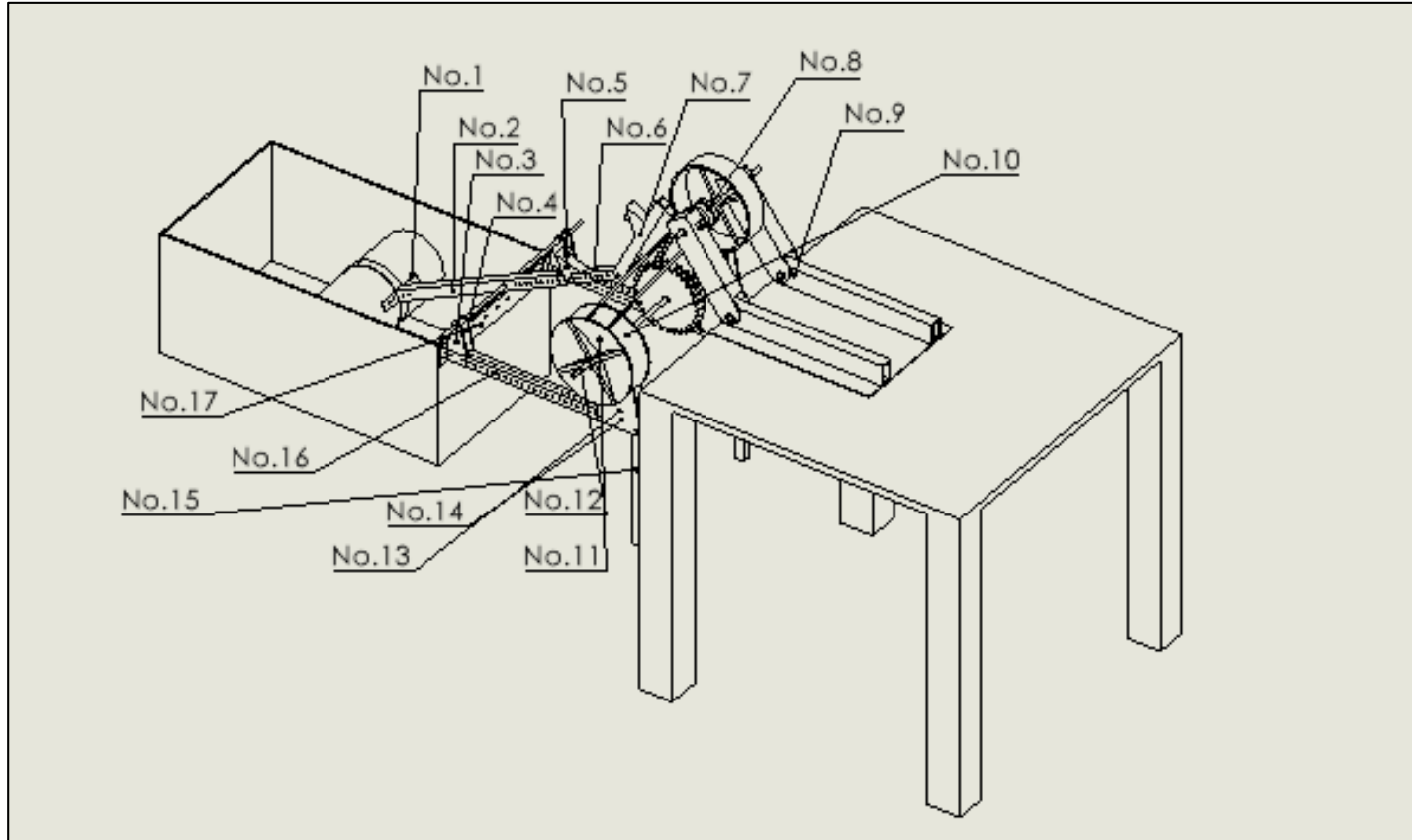
WB55



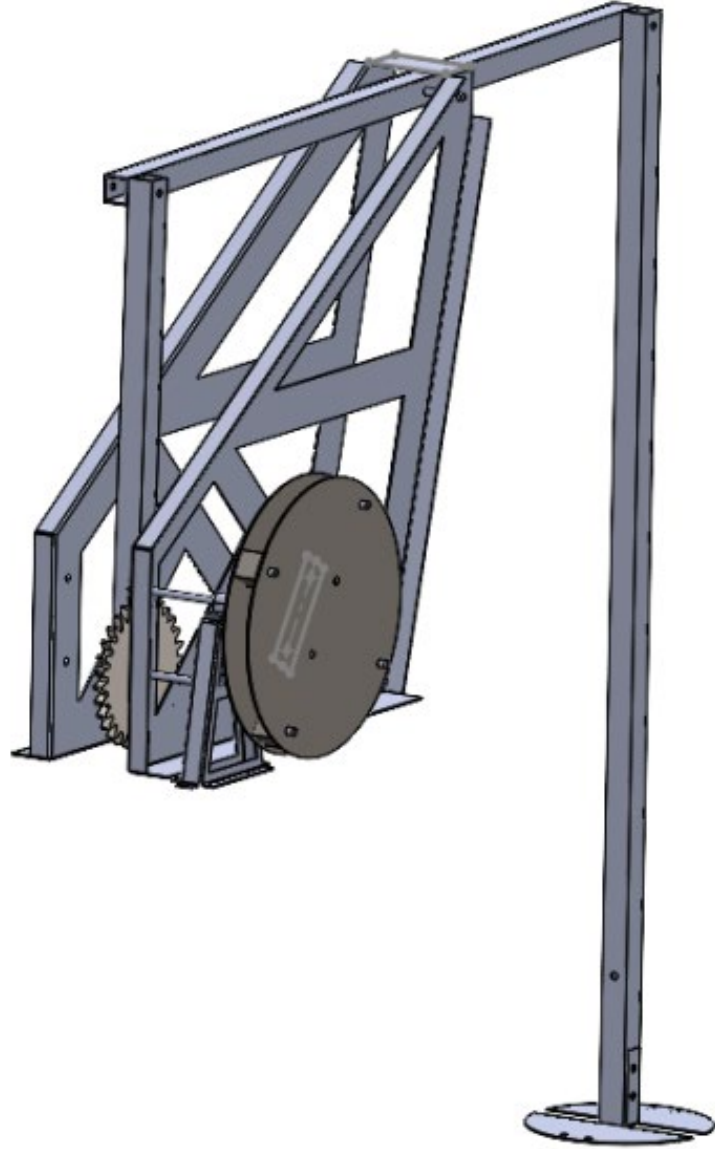
WB55



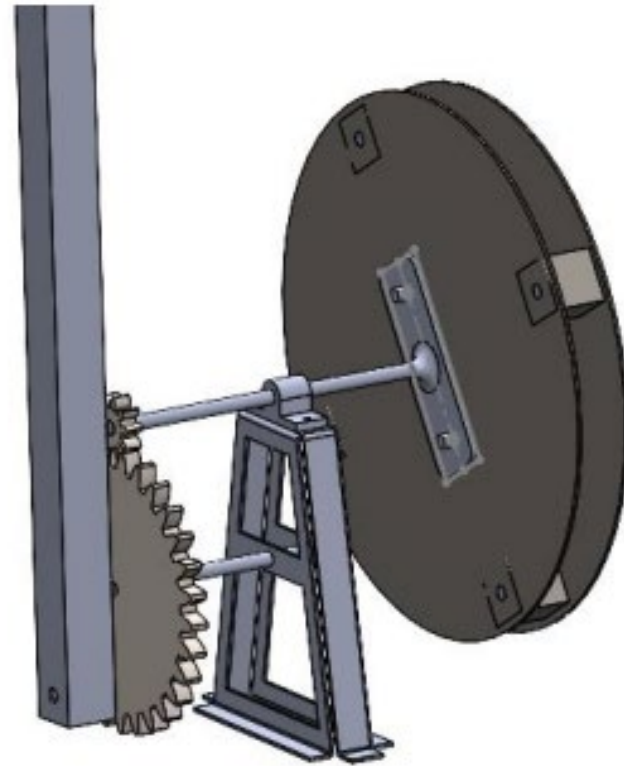
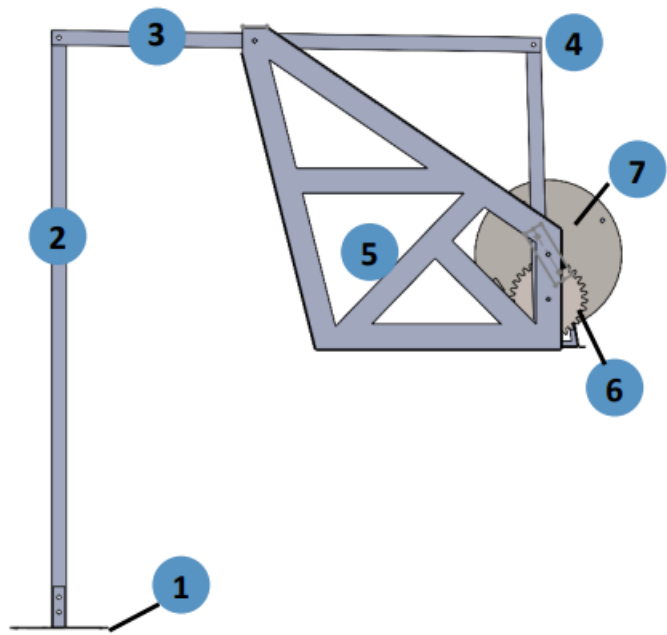
WB56



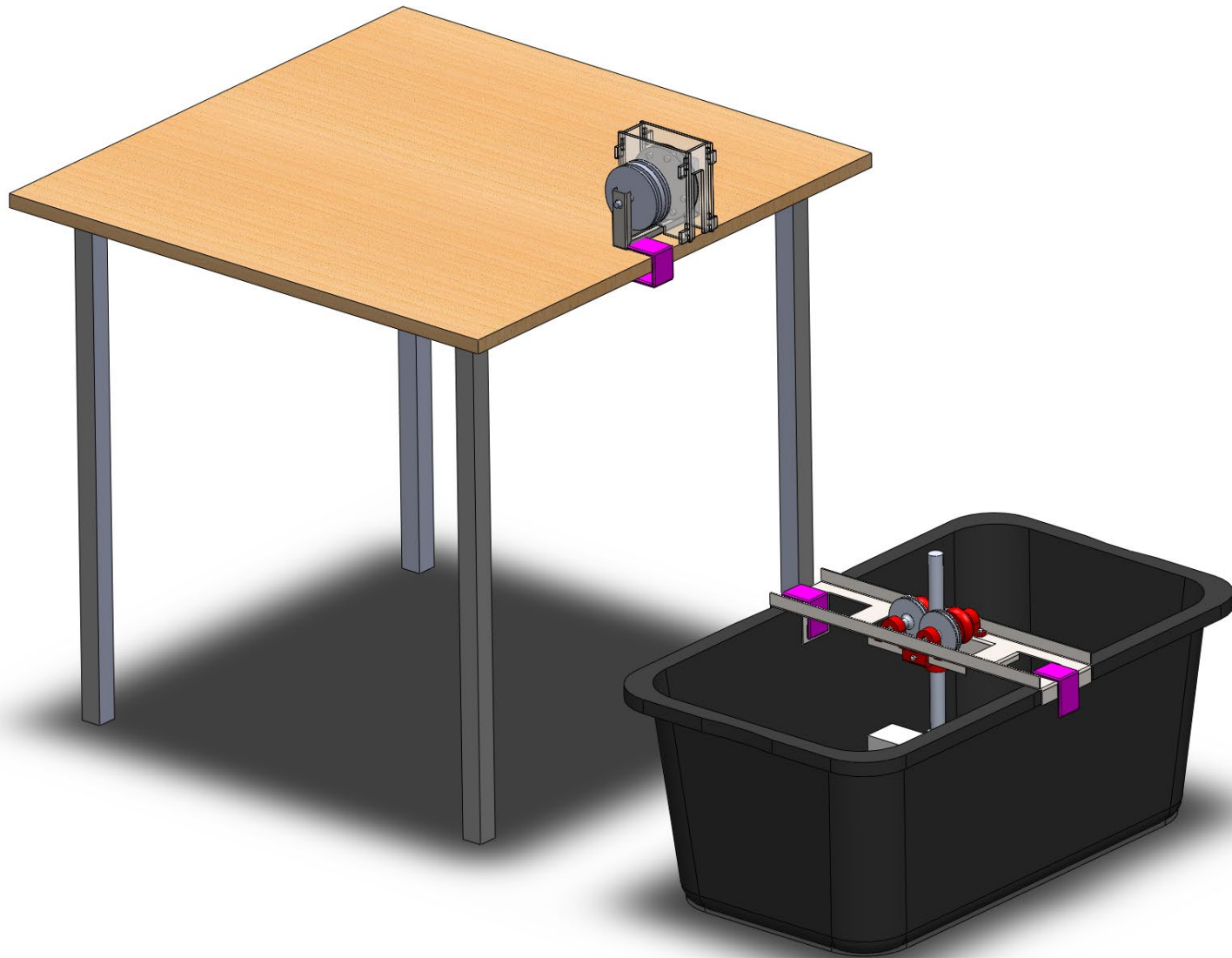
WB56



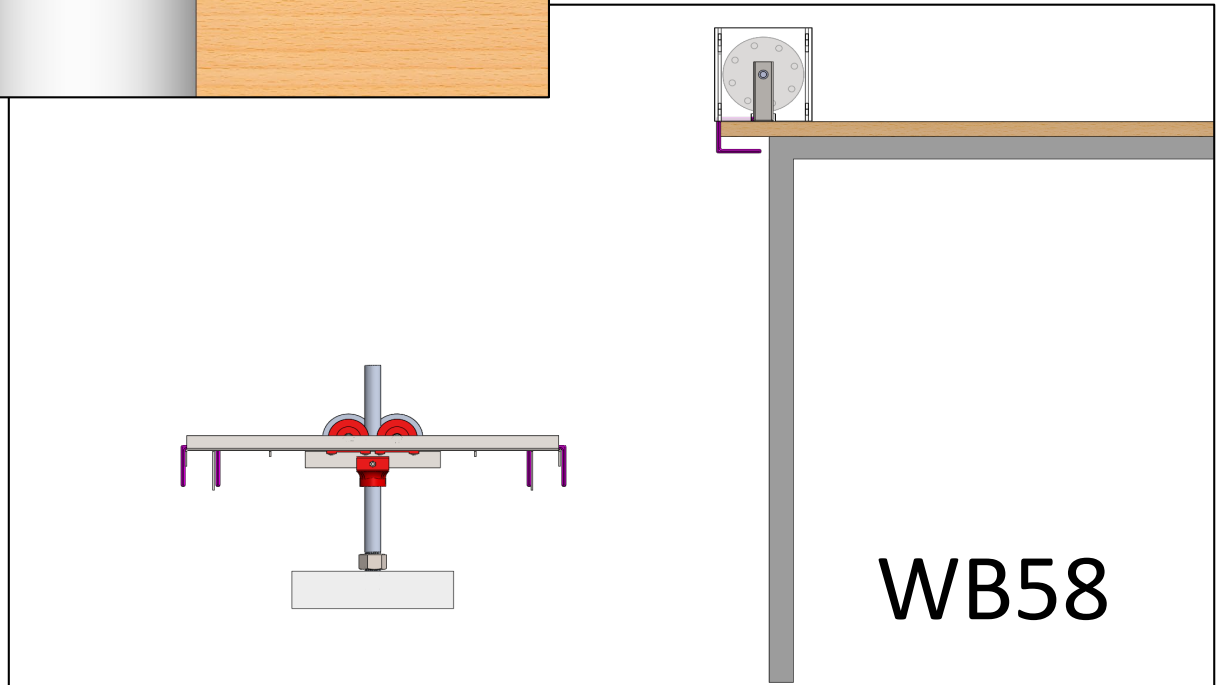
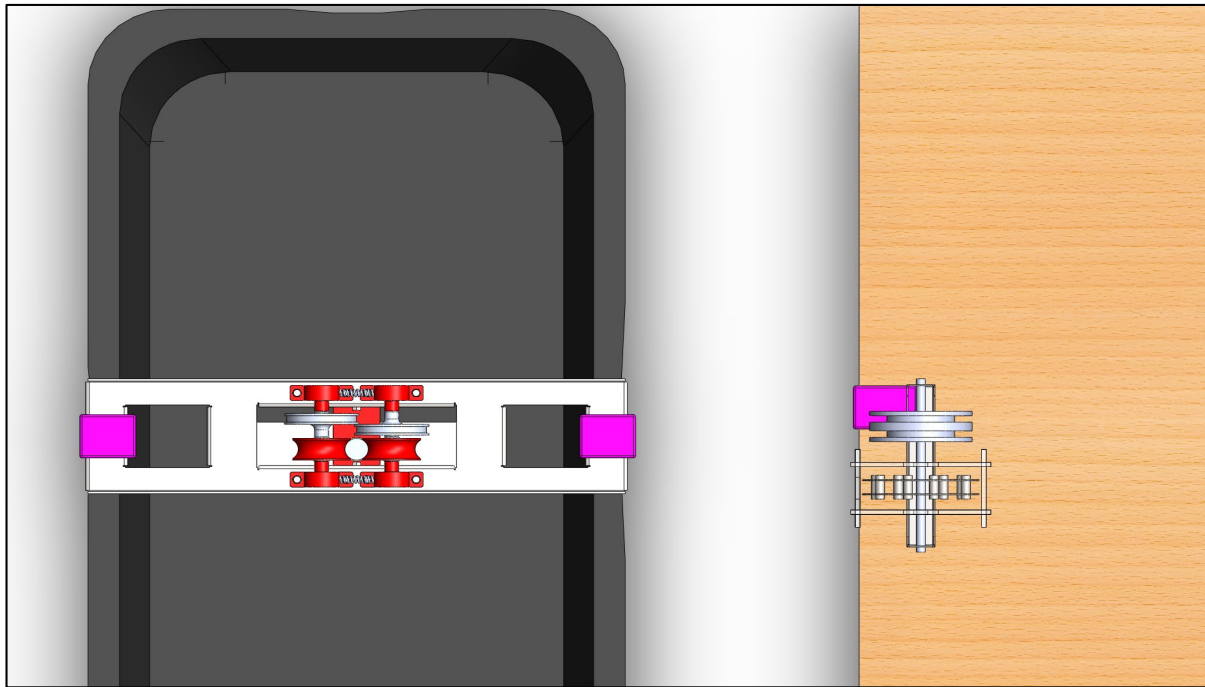
WB57



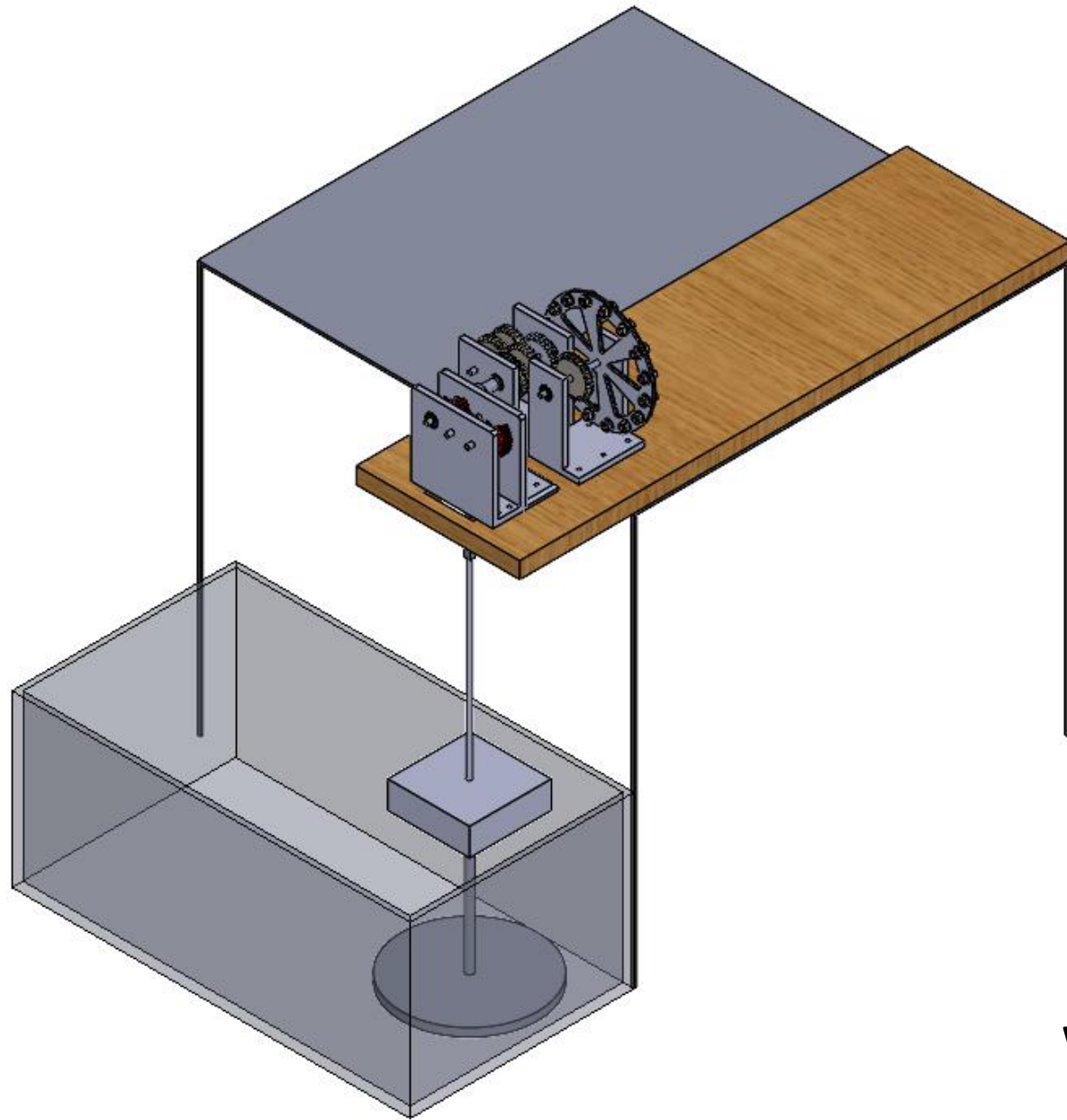
WB57



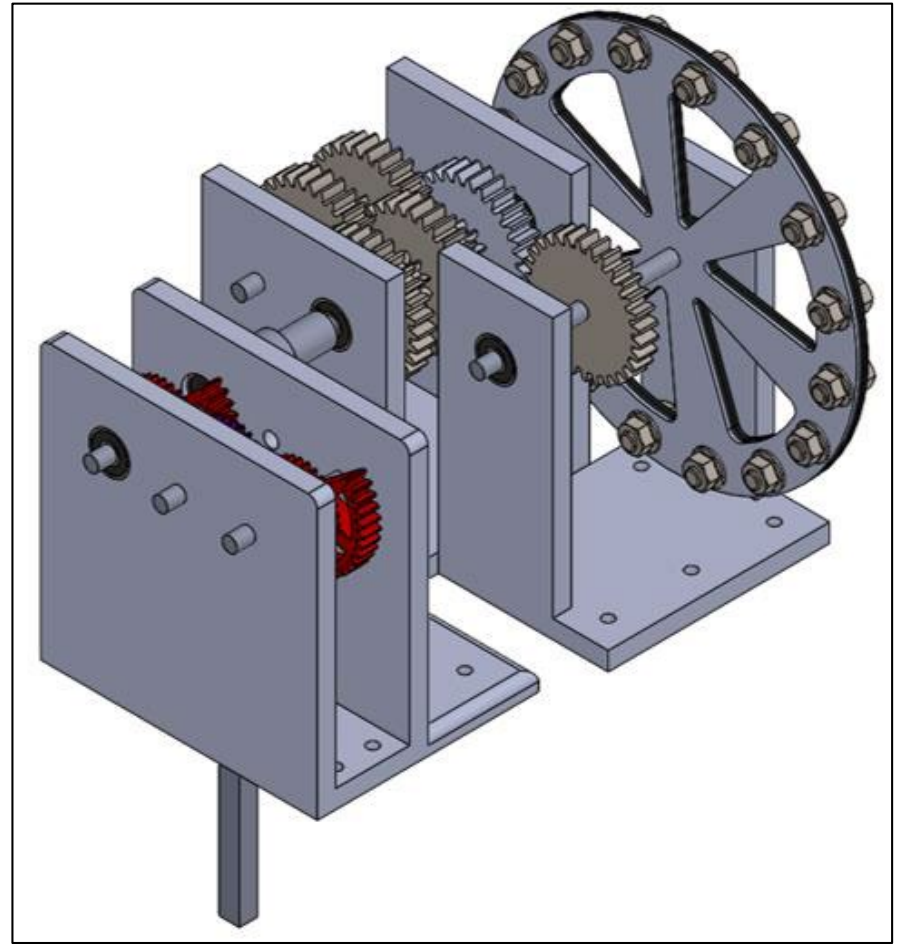
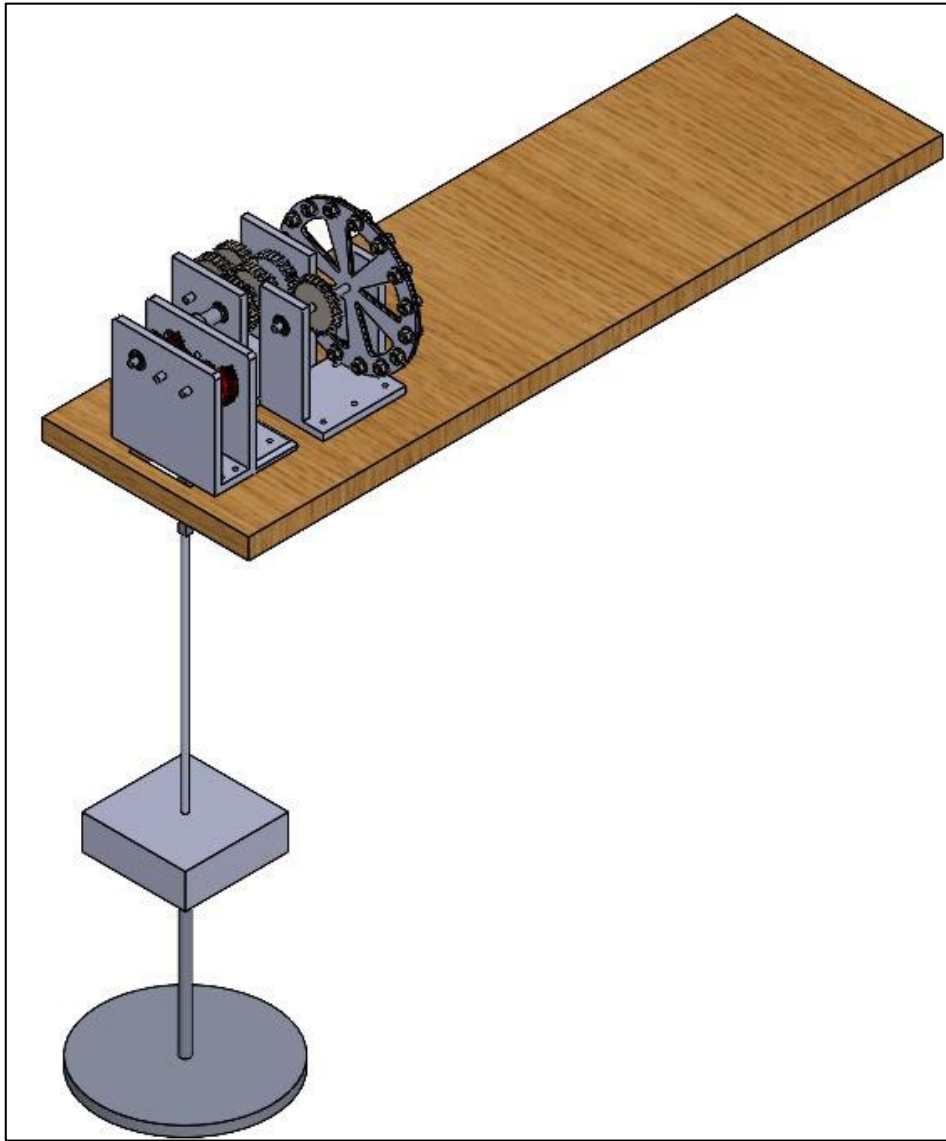
WB58



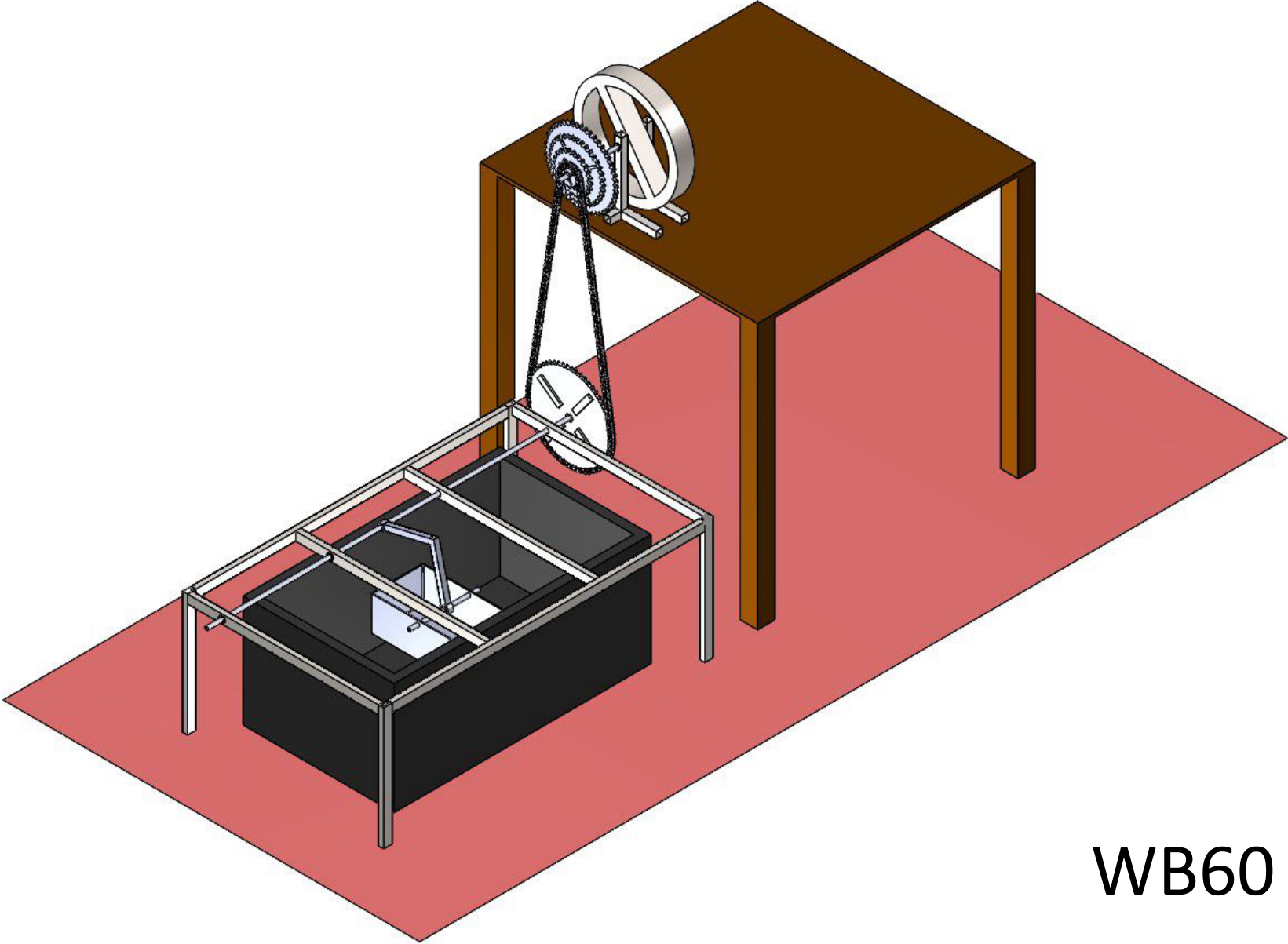
WB58



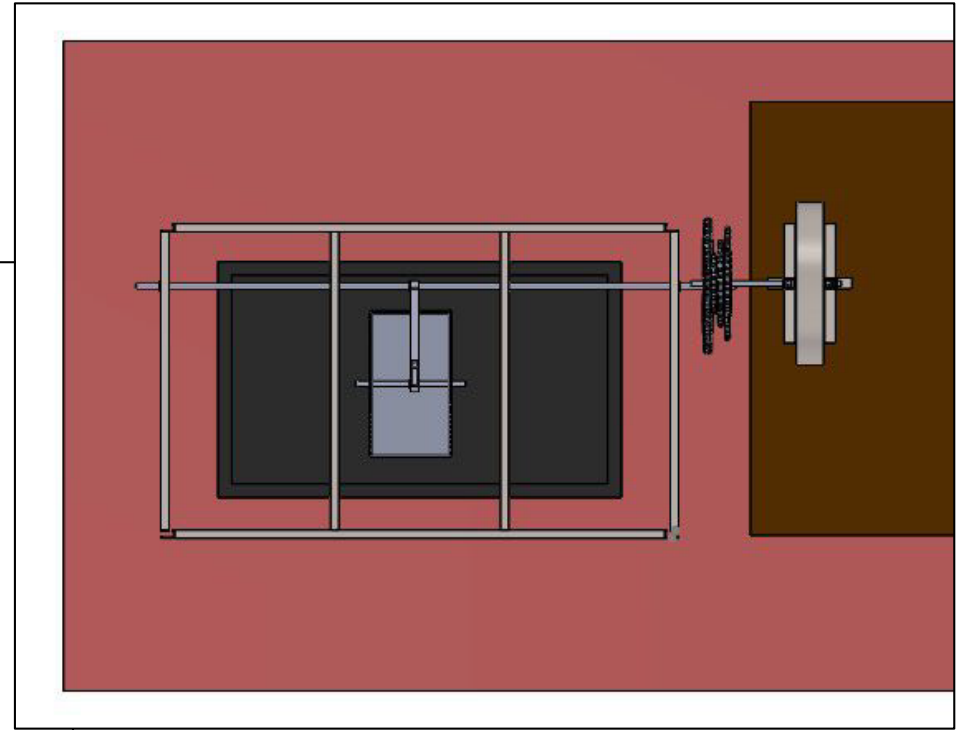
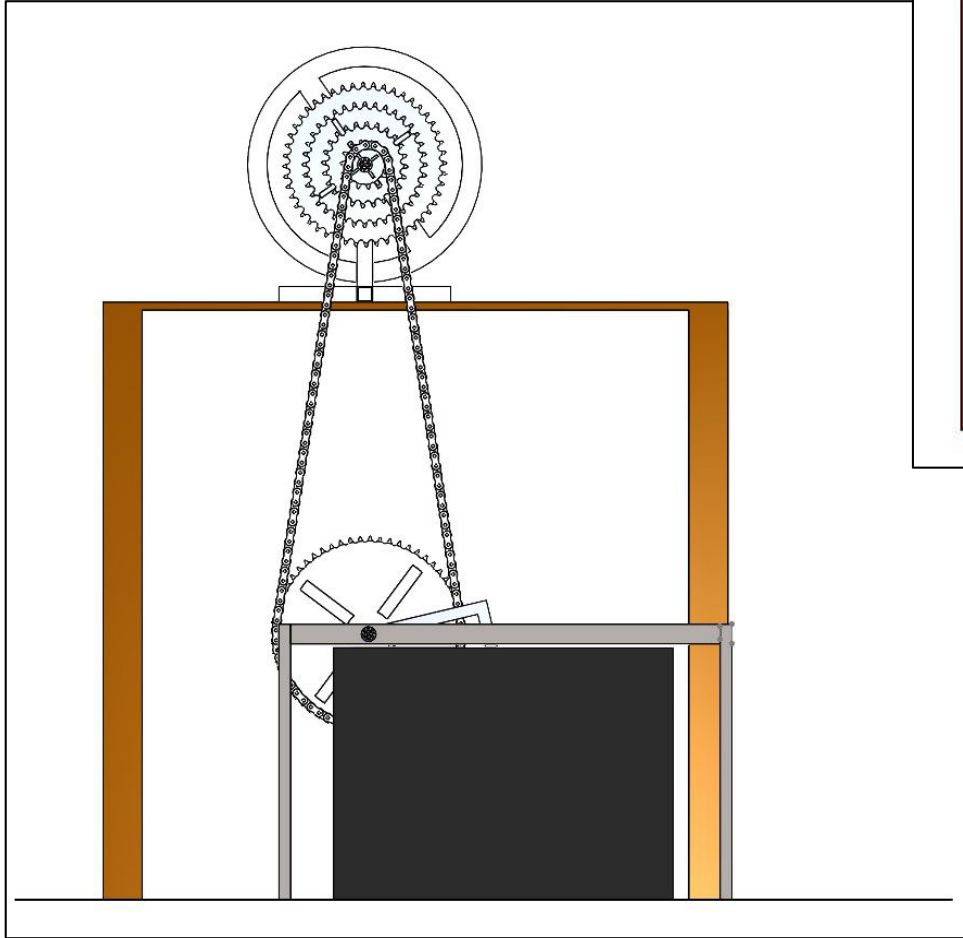
WB59



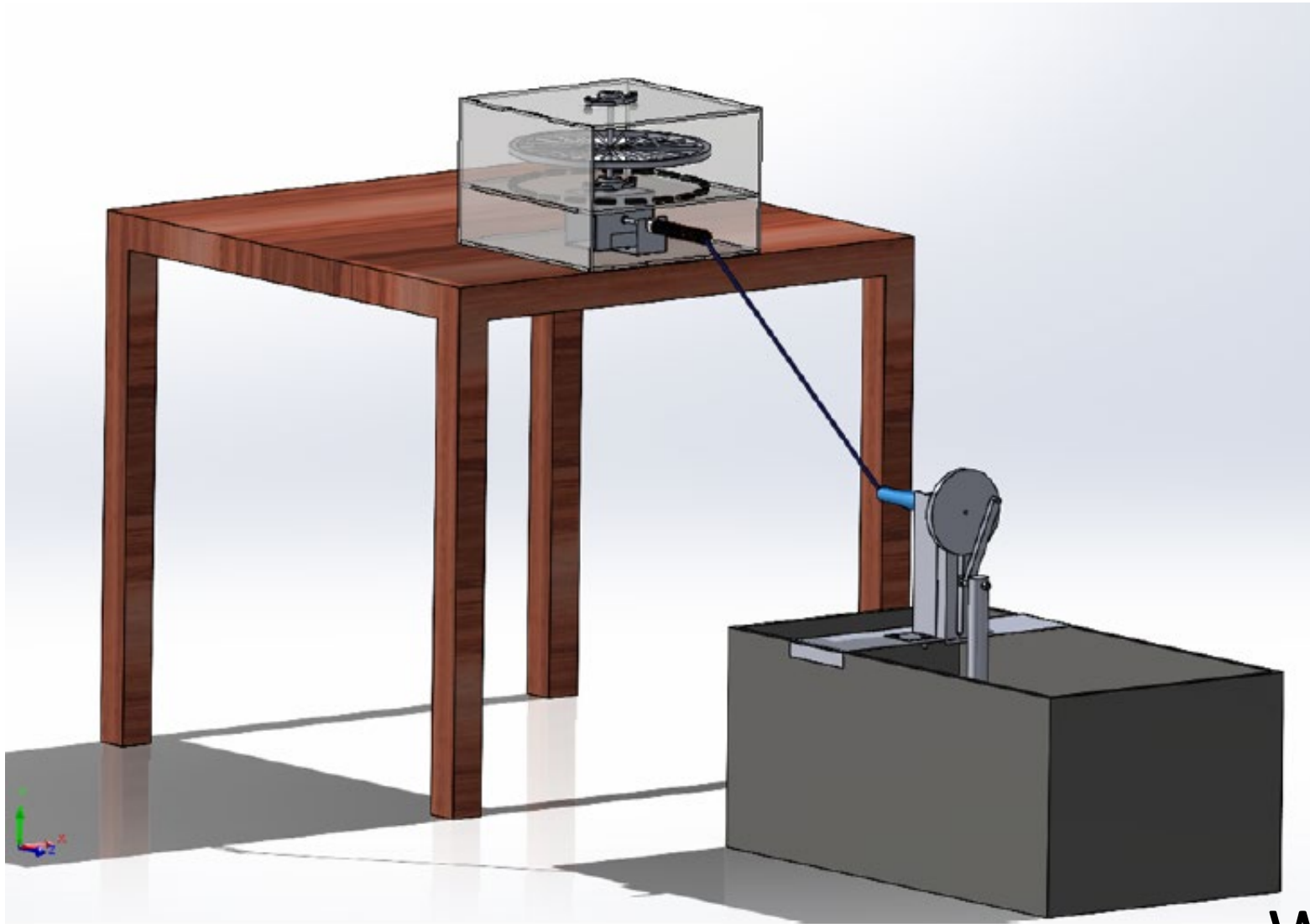
WB59



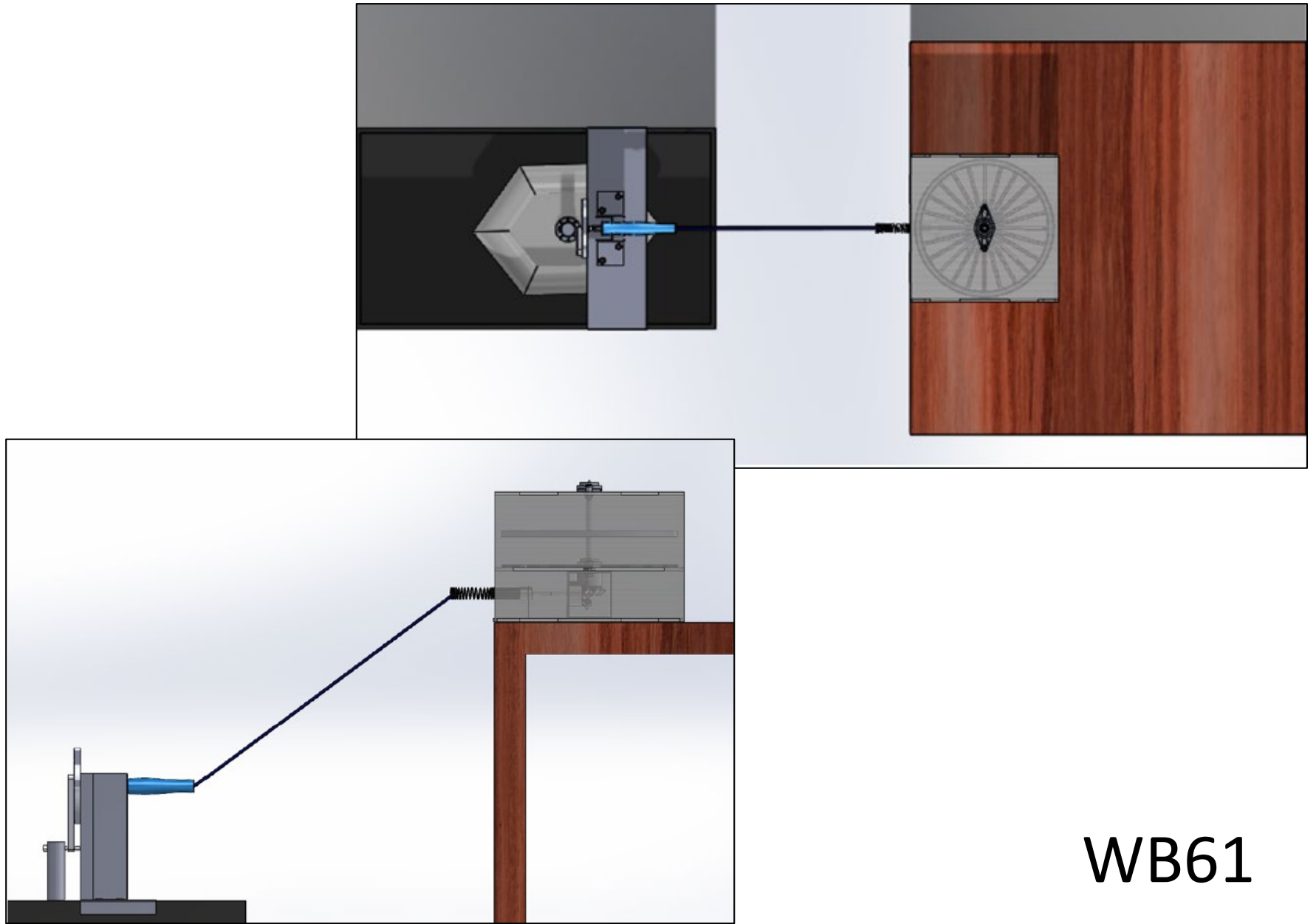
WB60



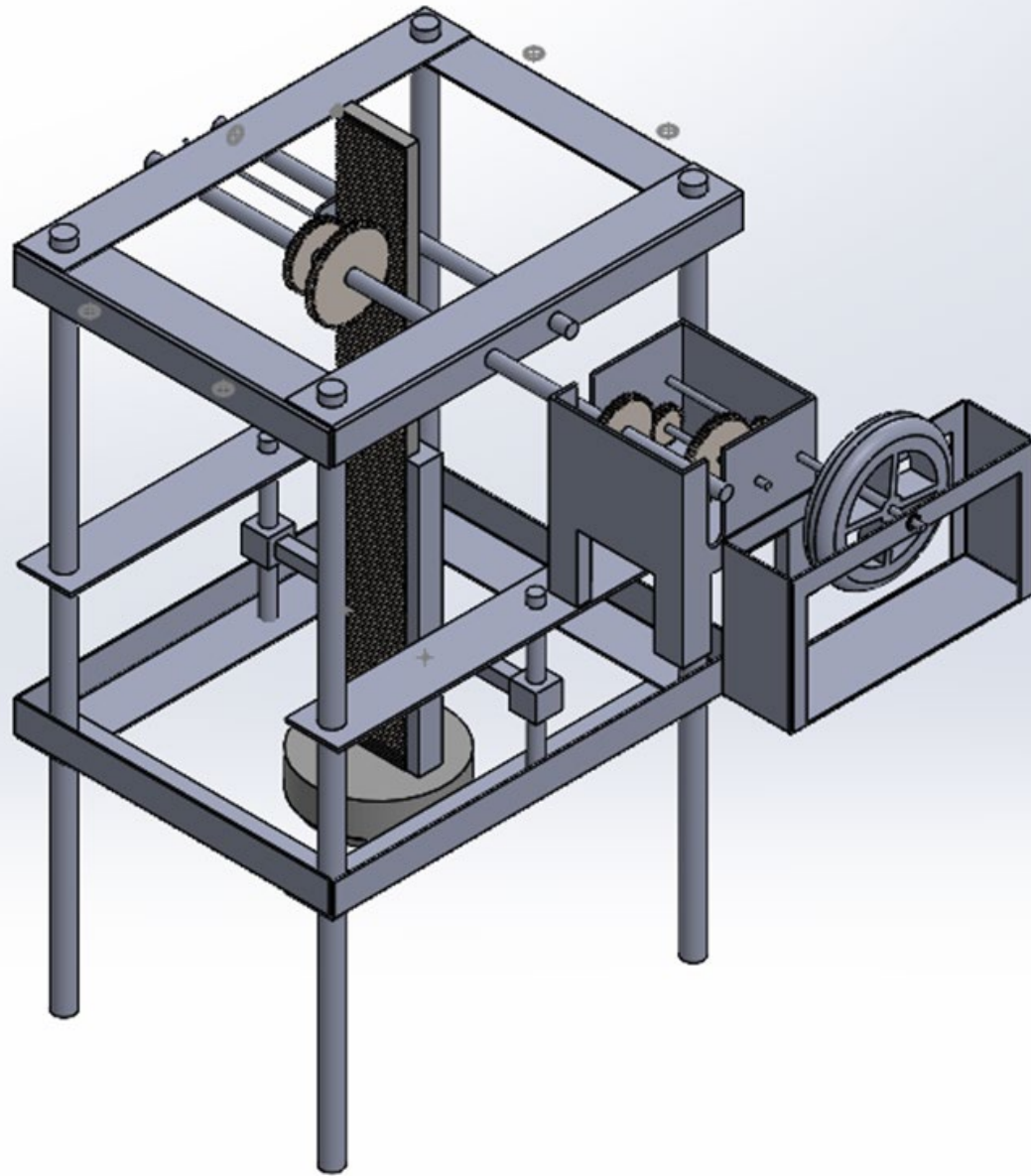
WB60



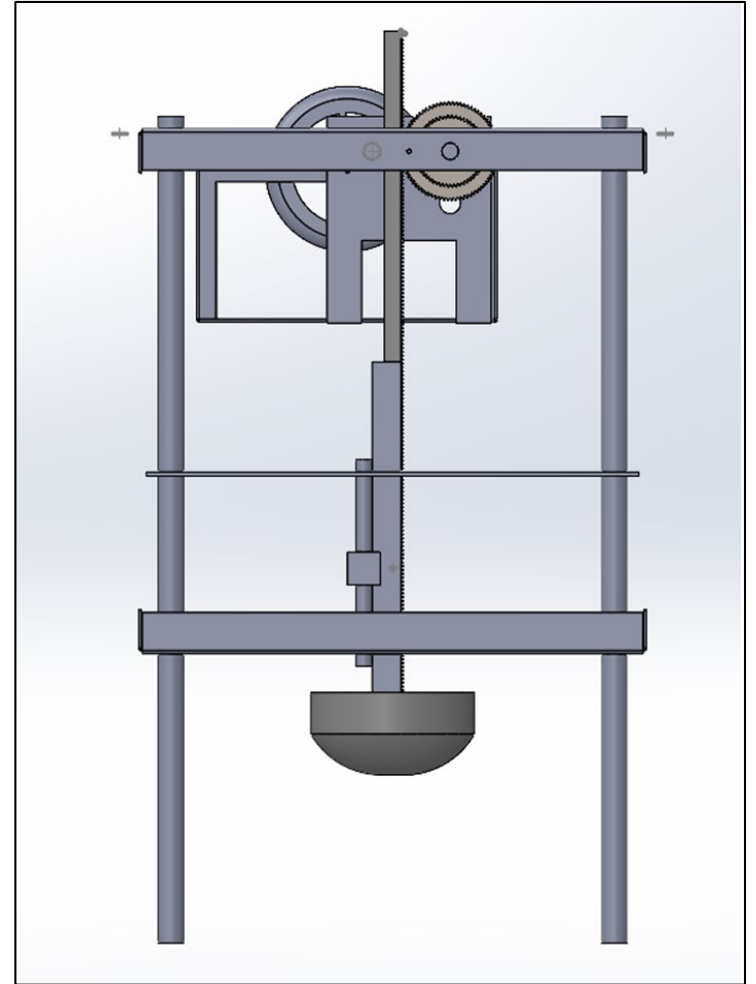
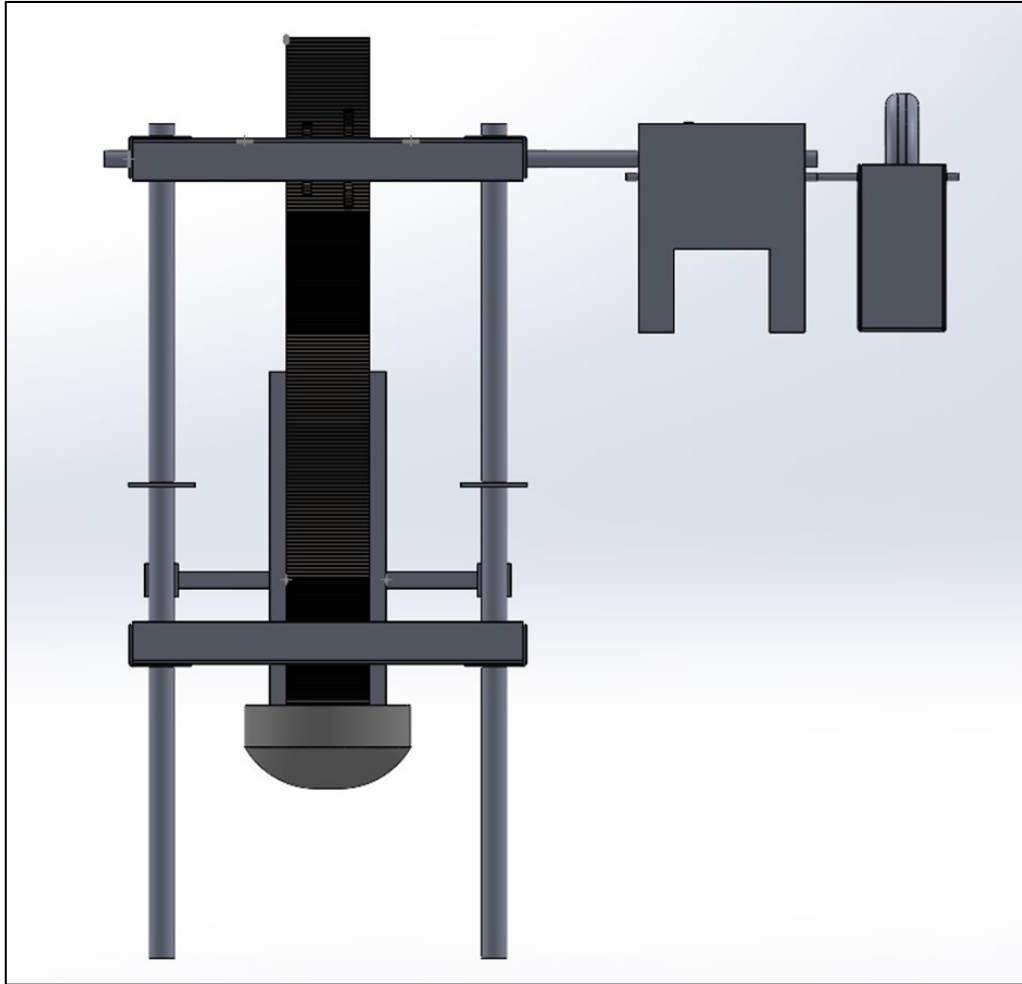
WB61



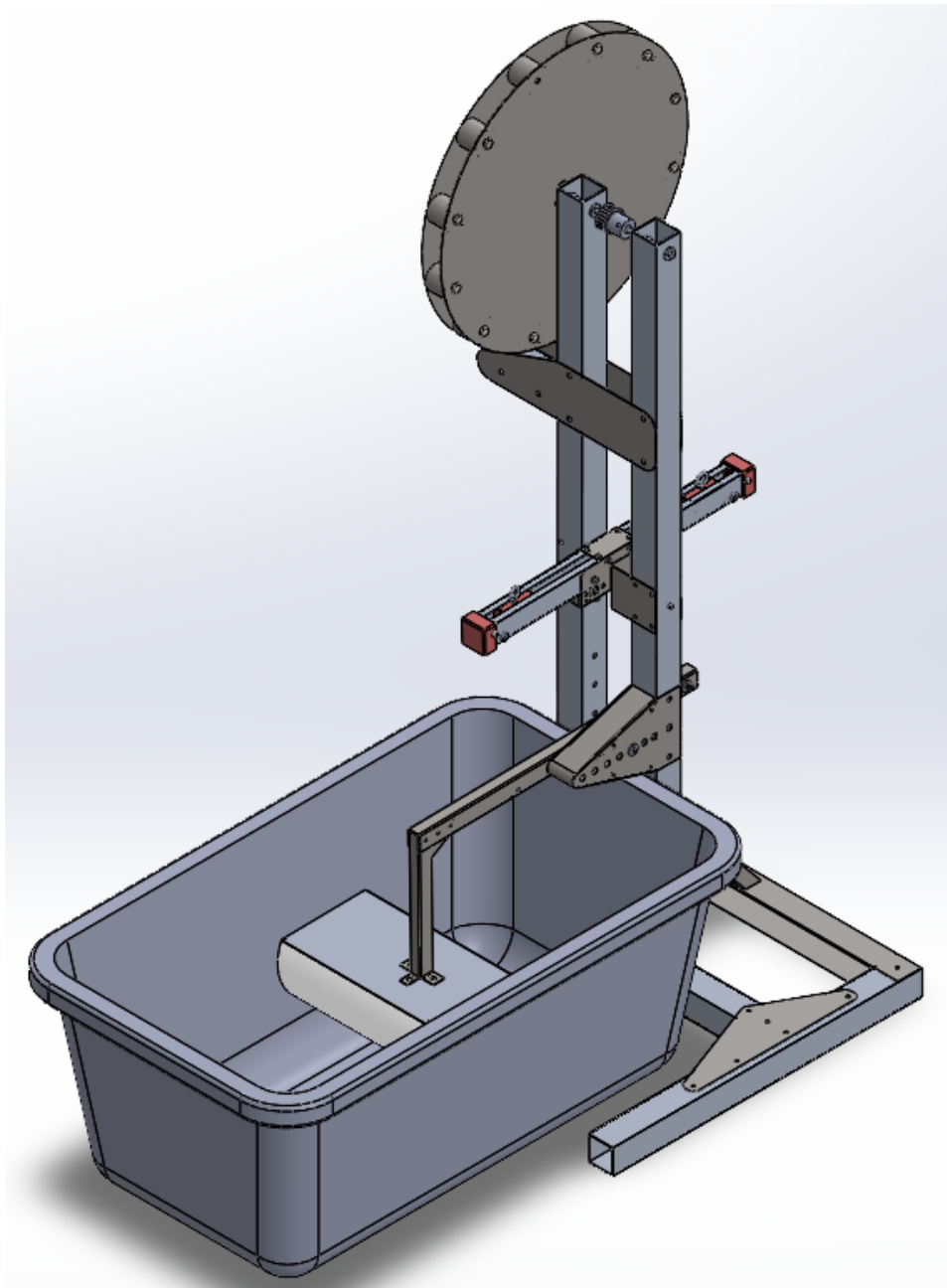
WB61



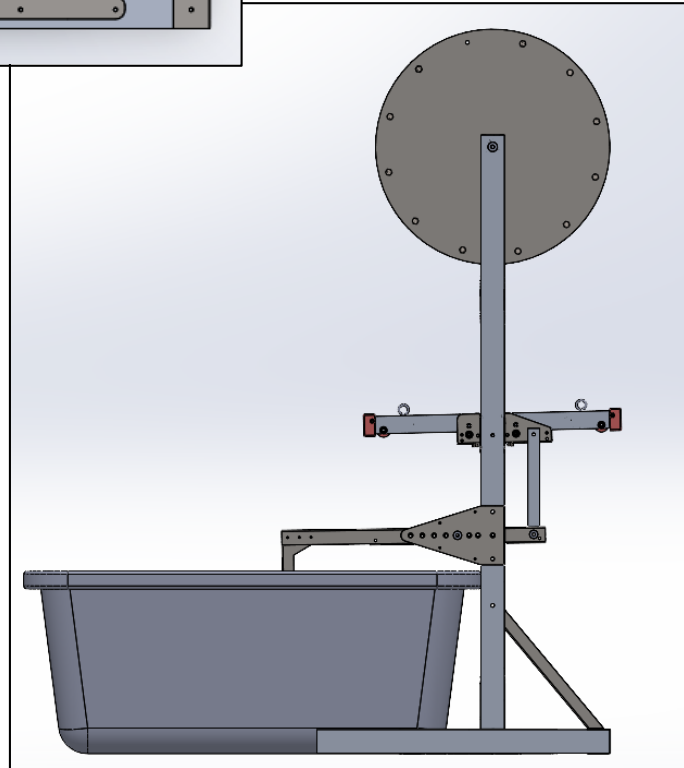
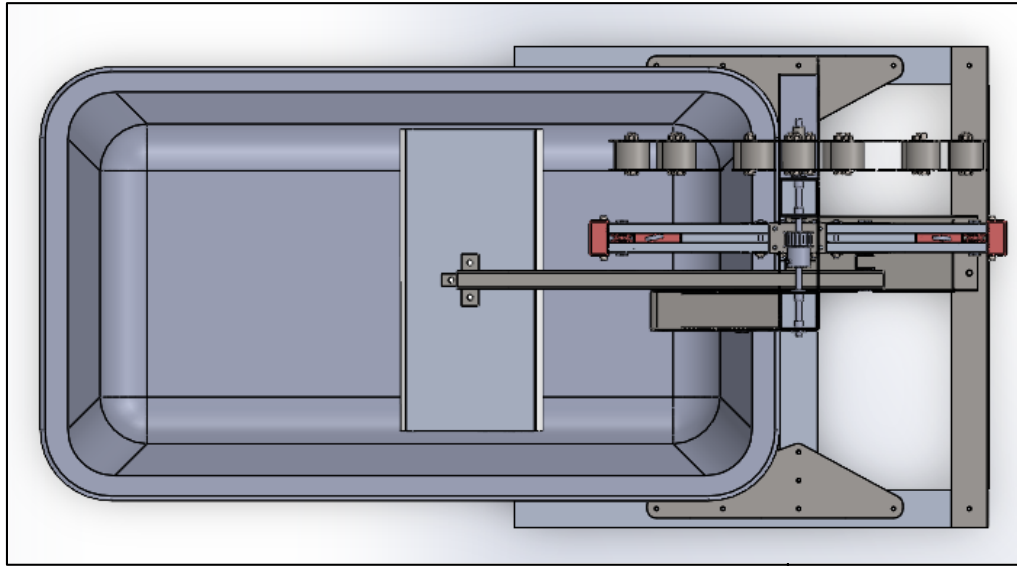
WB62



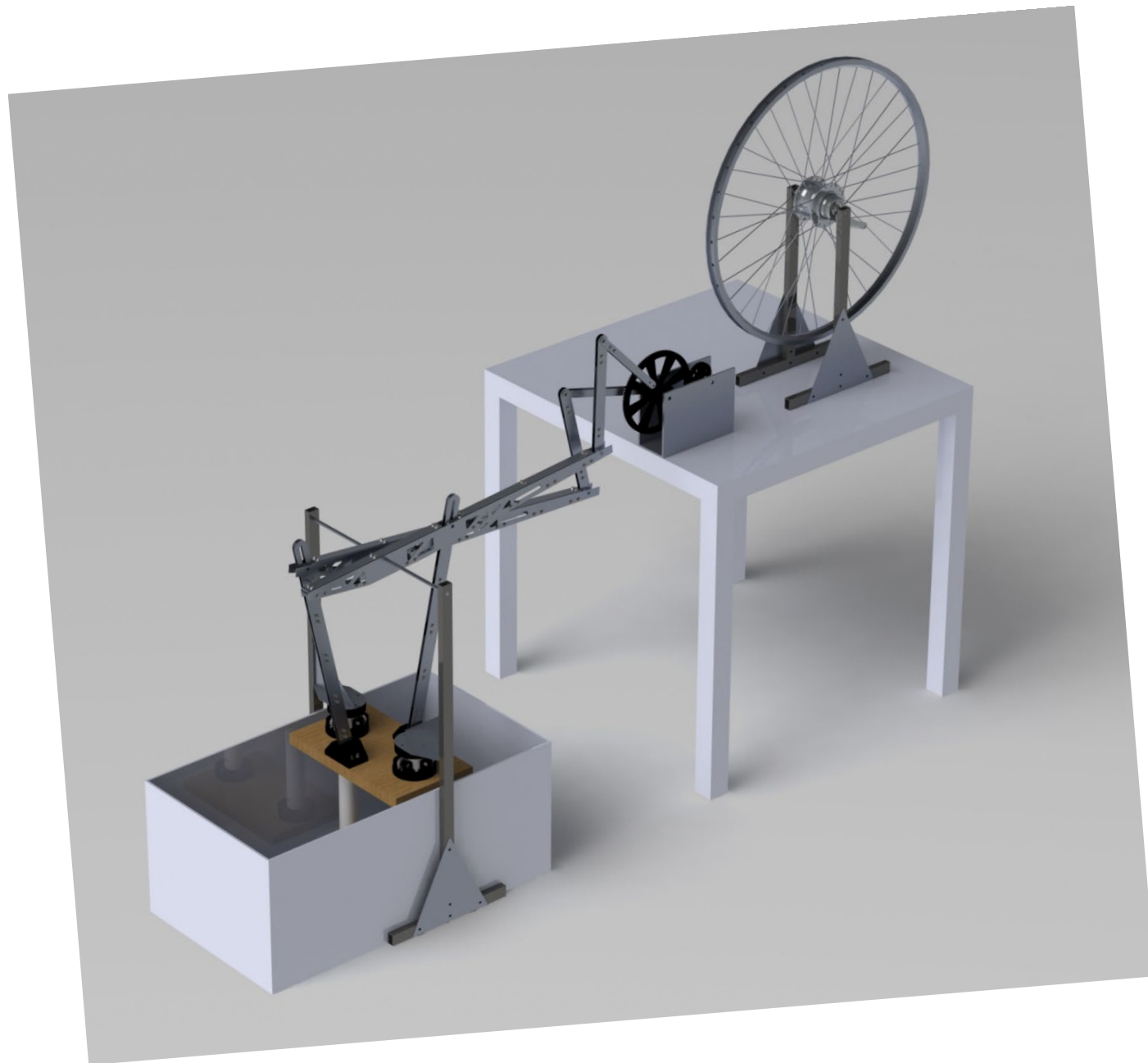
WB62



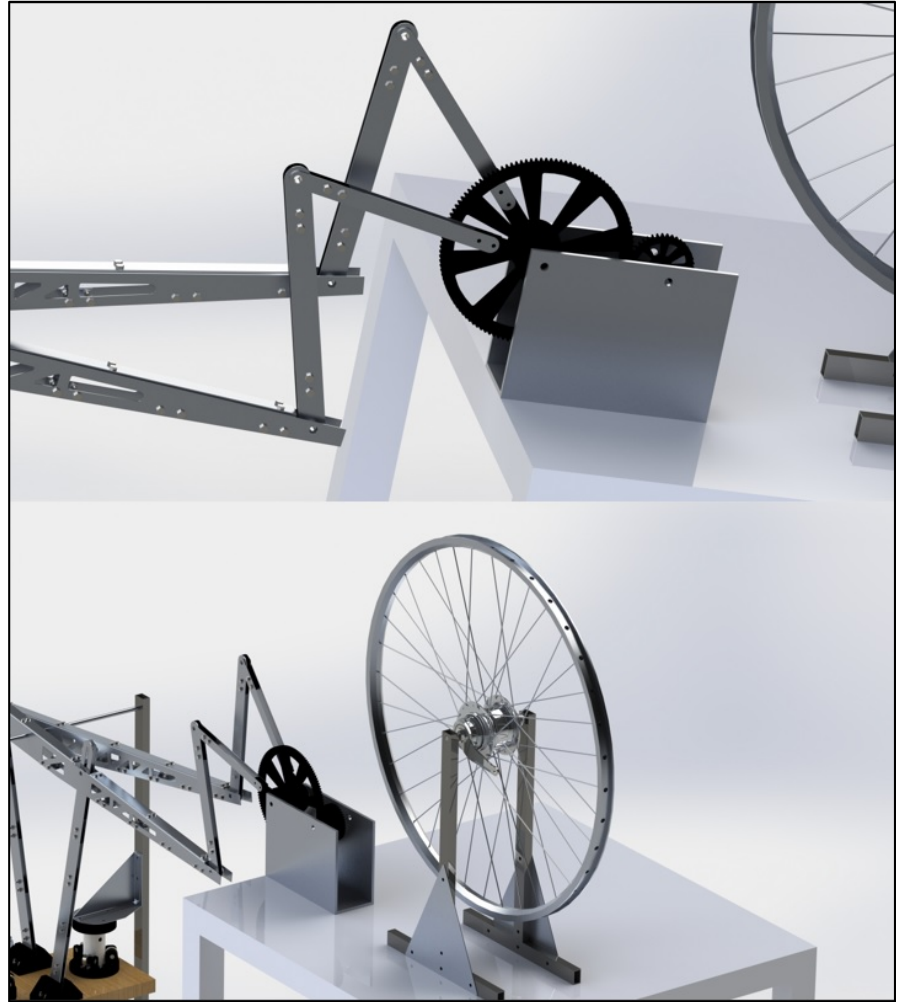
WB63



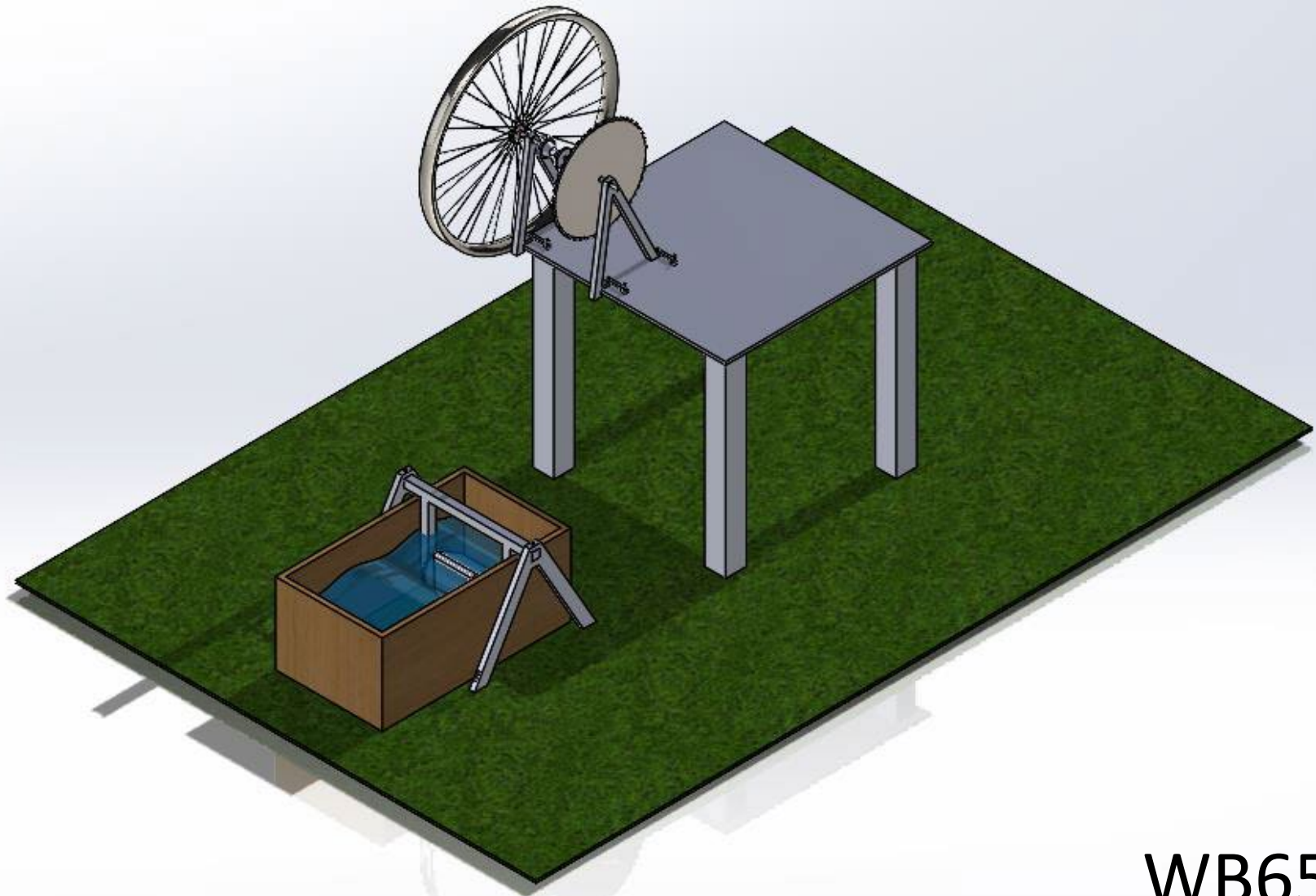
WB63



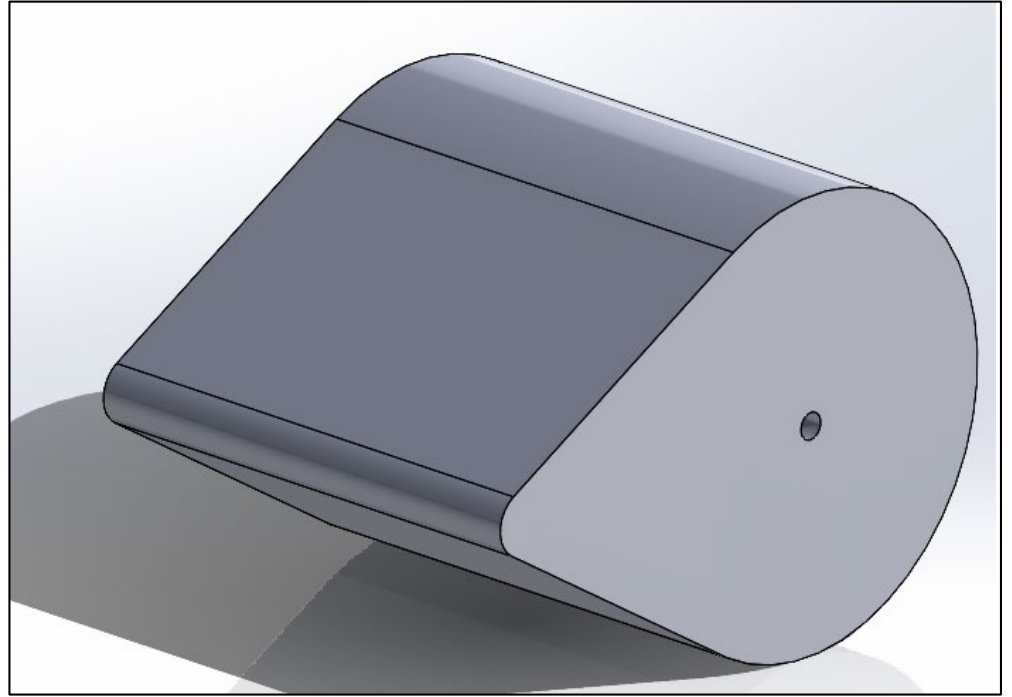
WB64



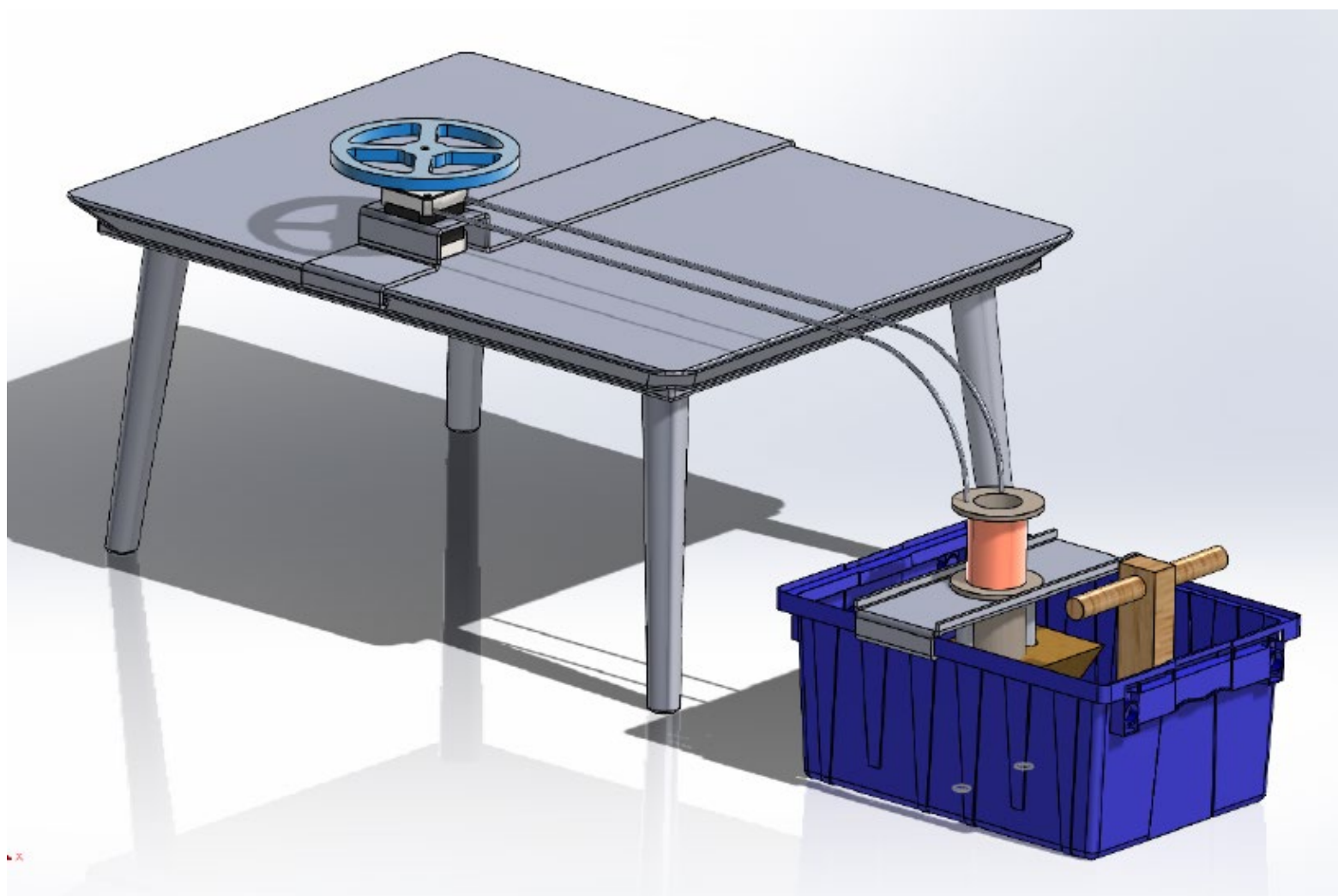
WB64



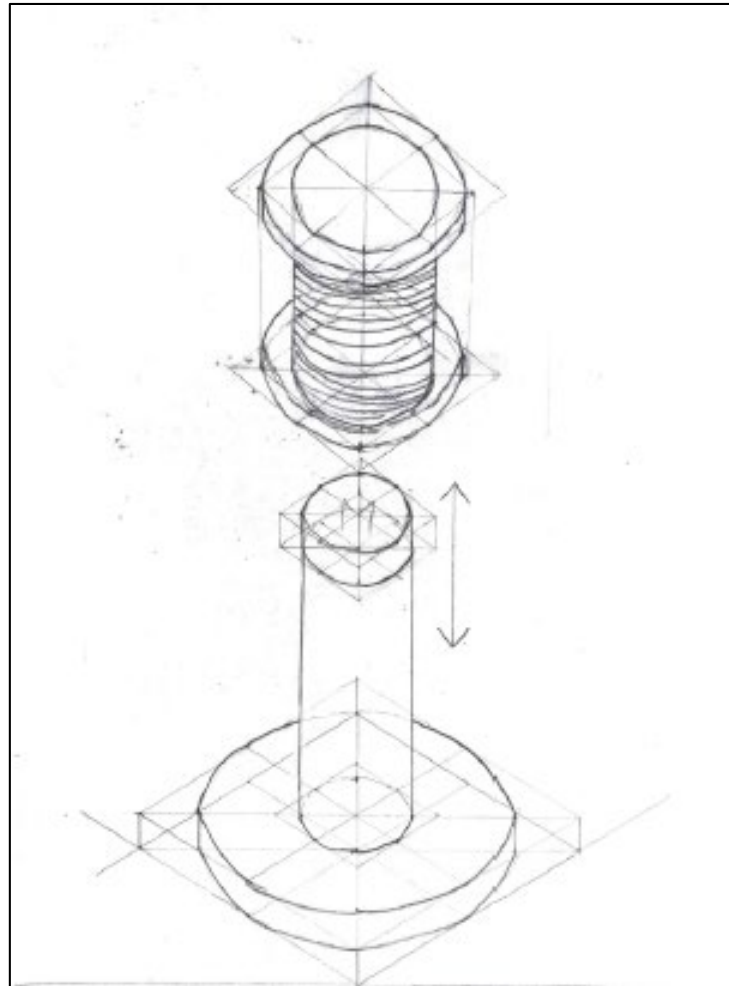
WB65



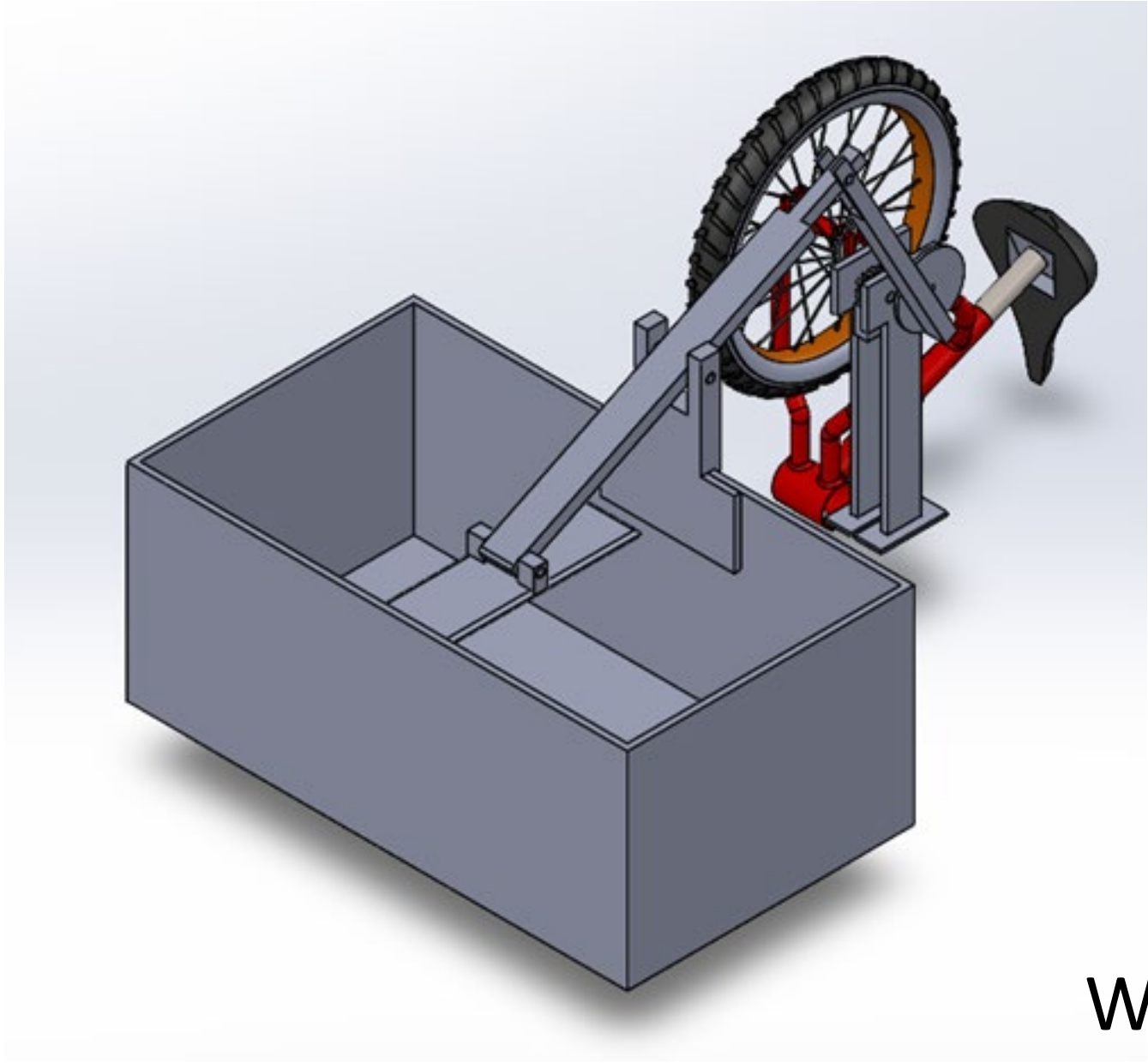
WB65



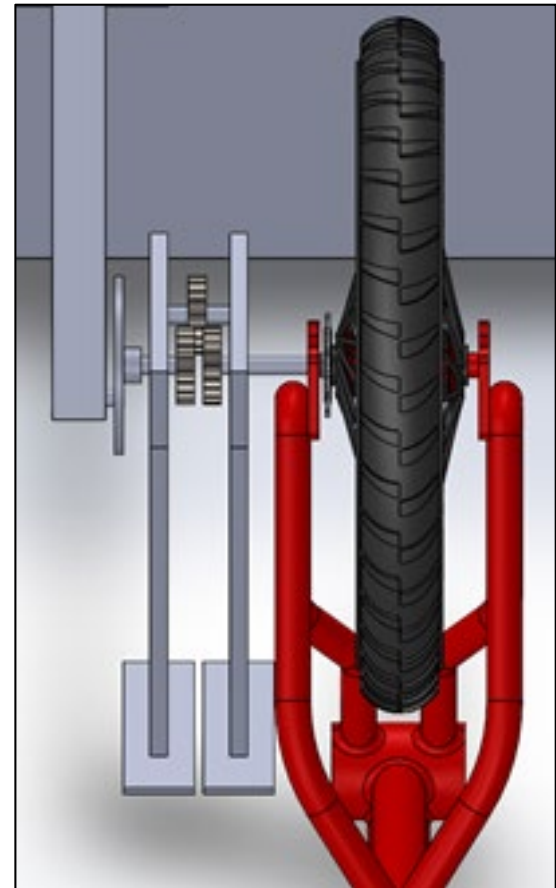
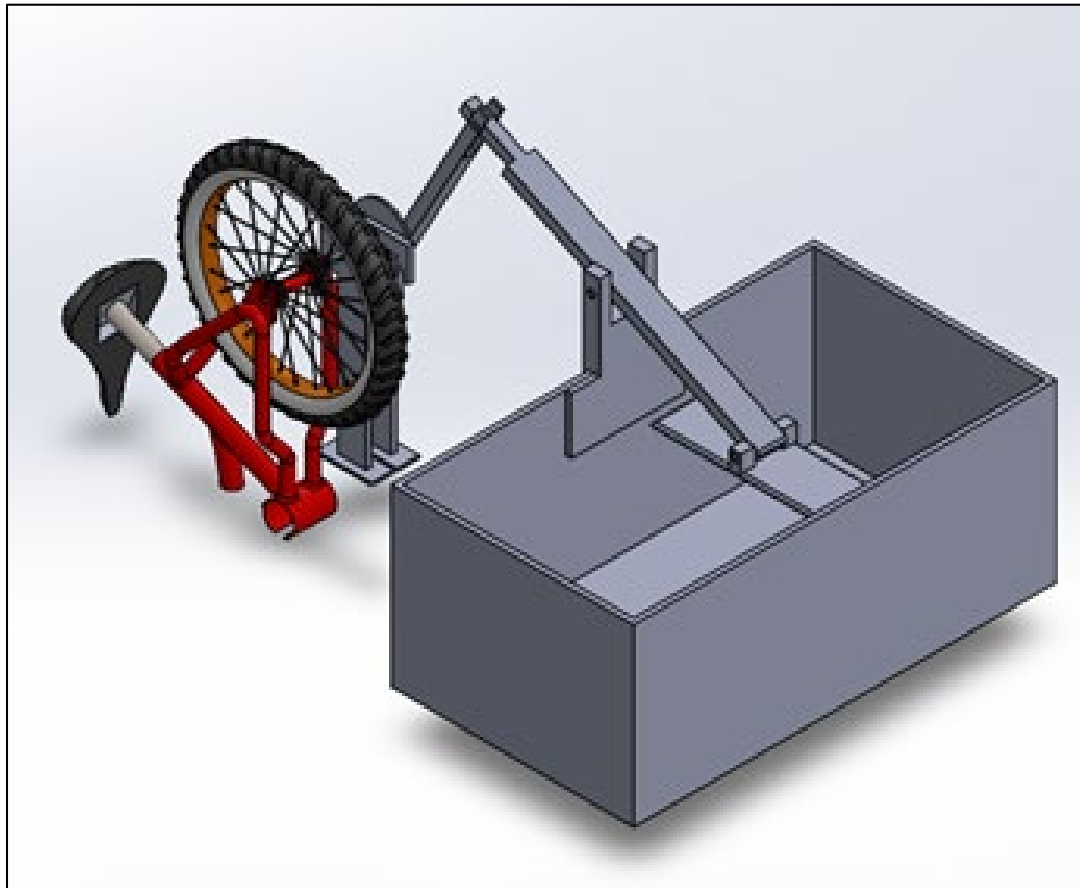
WB66



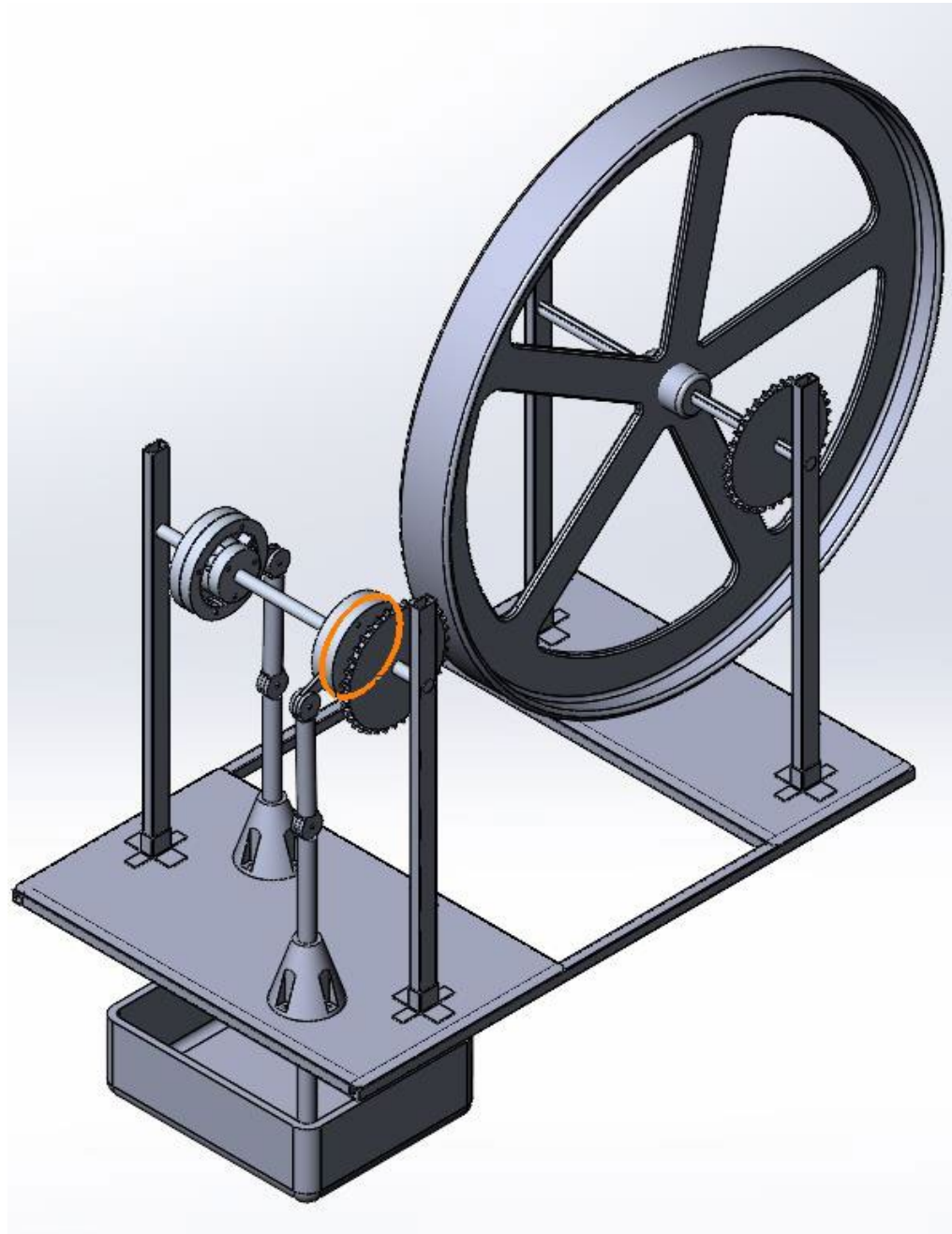
WB66



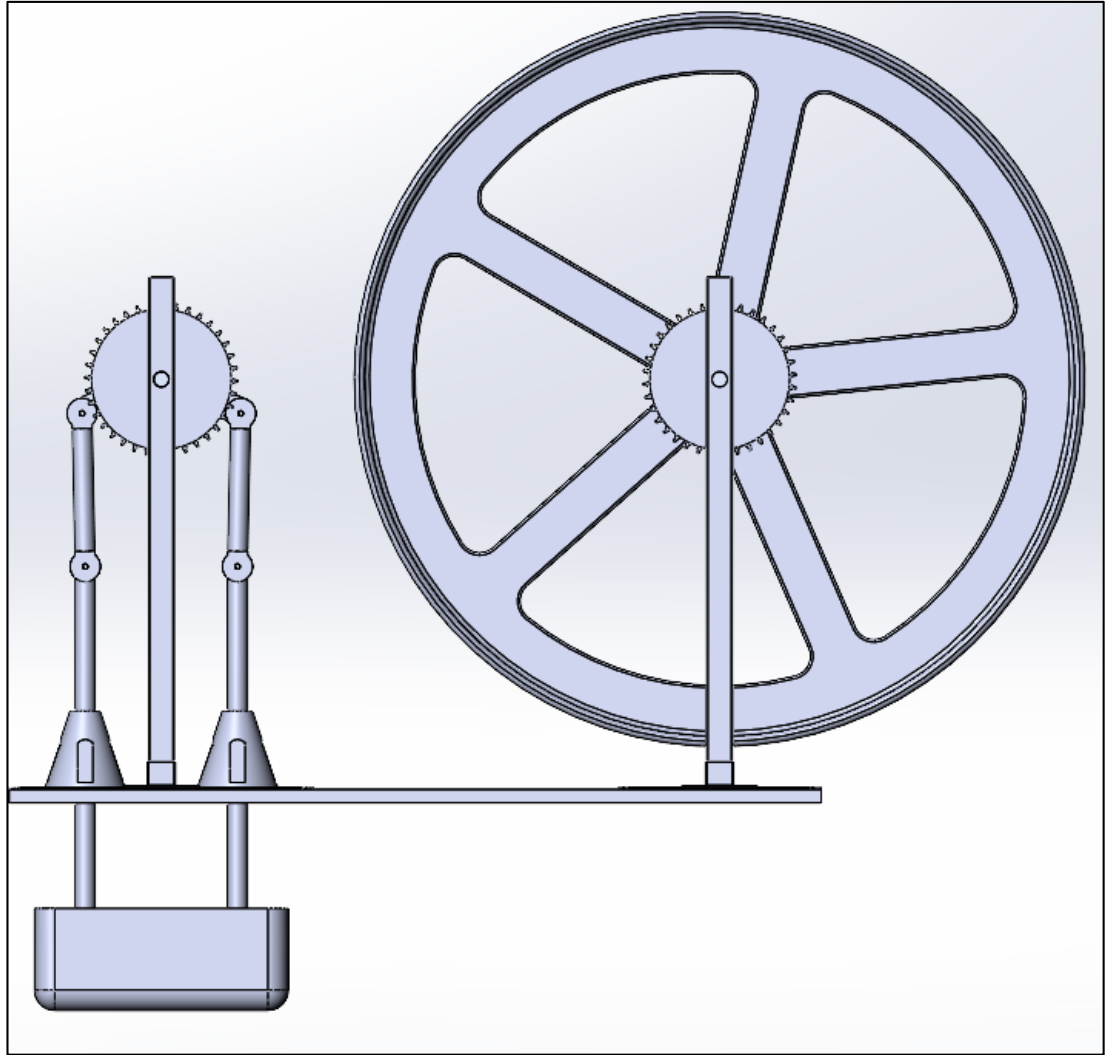
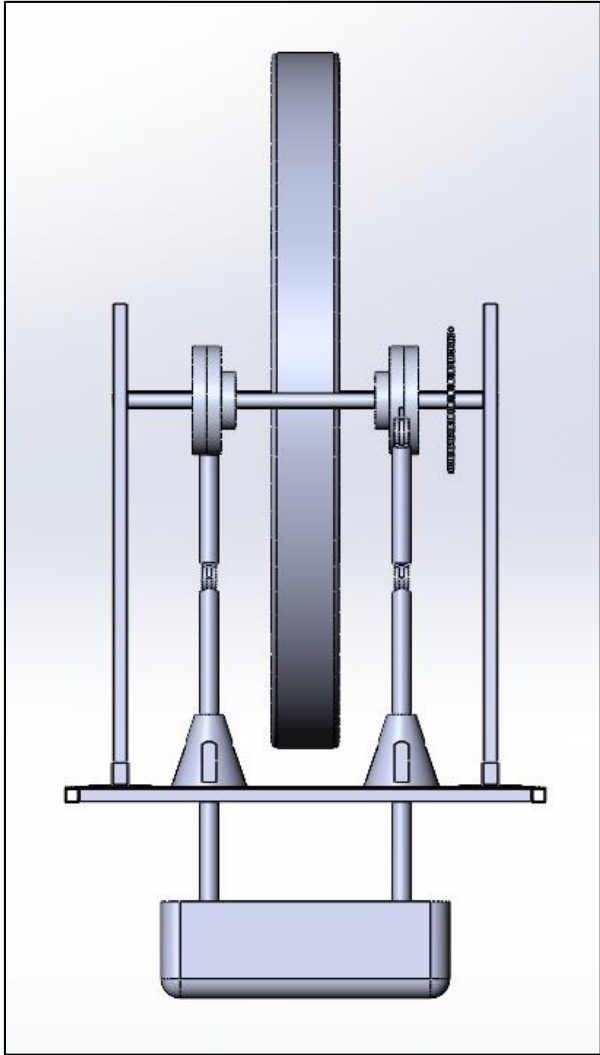
WB67



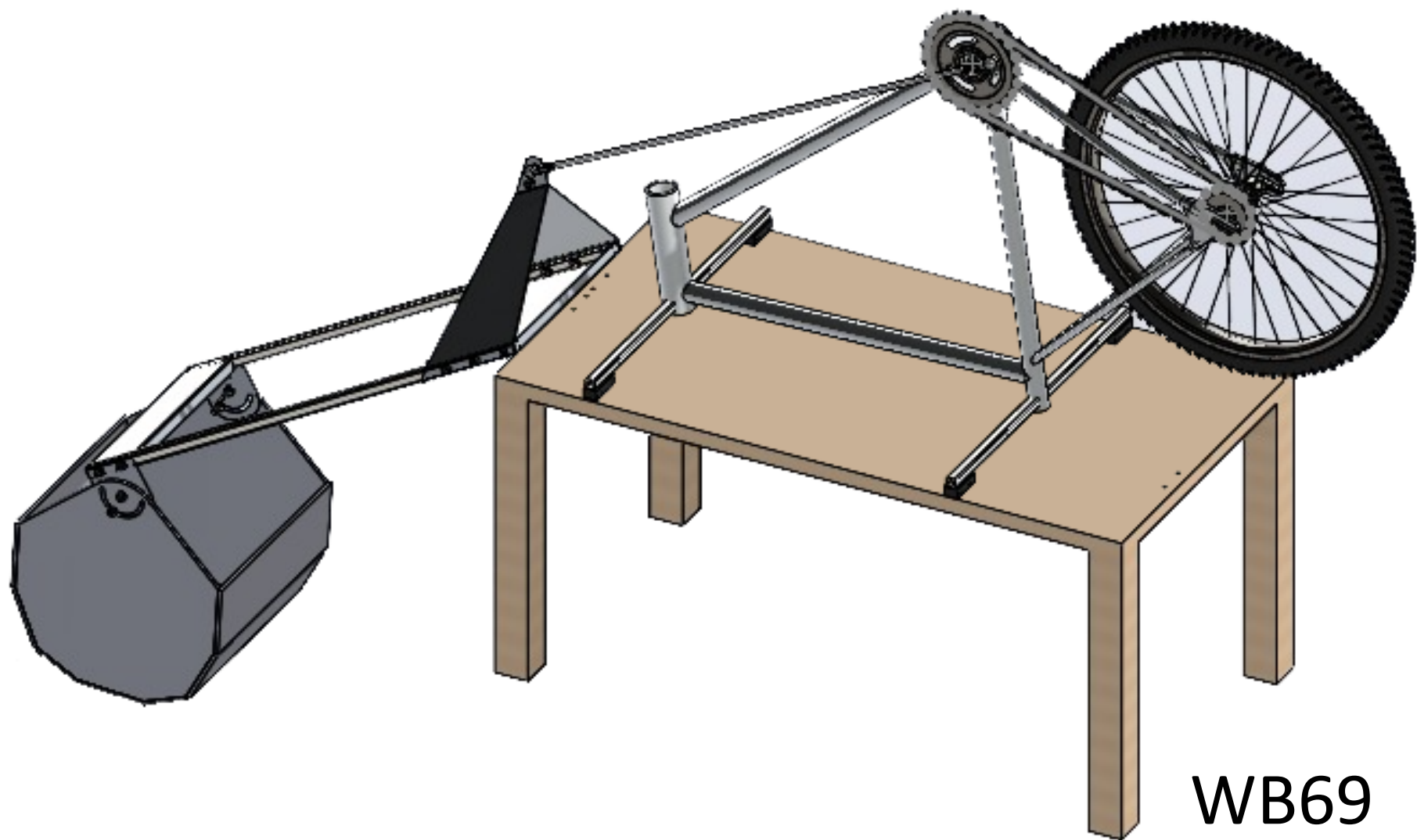
WB67



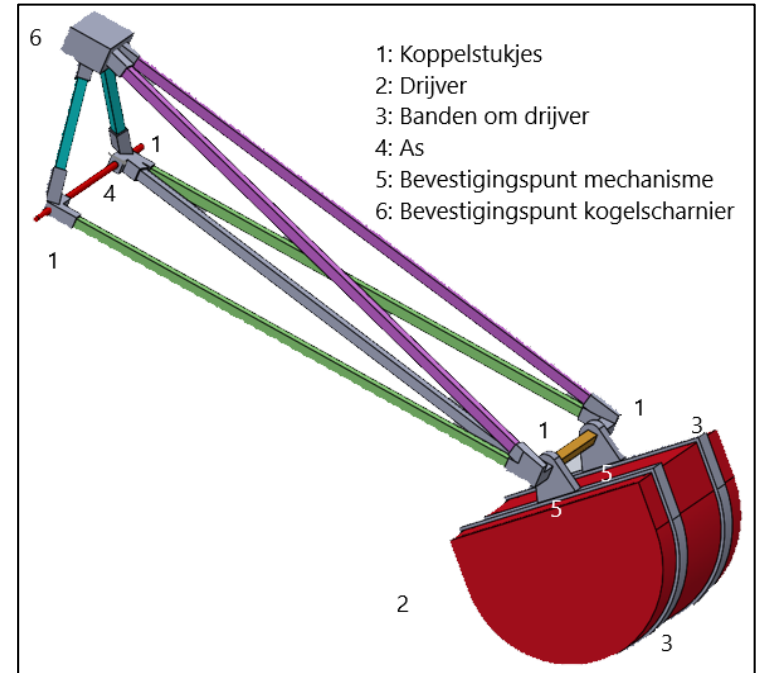
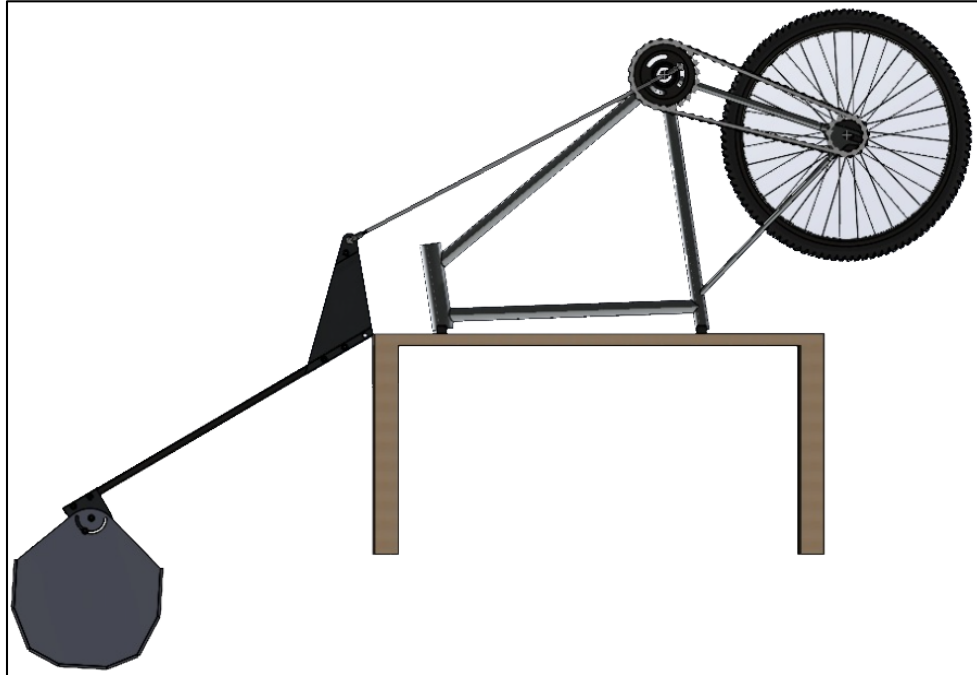
WB68



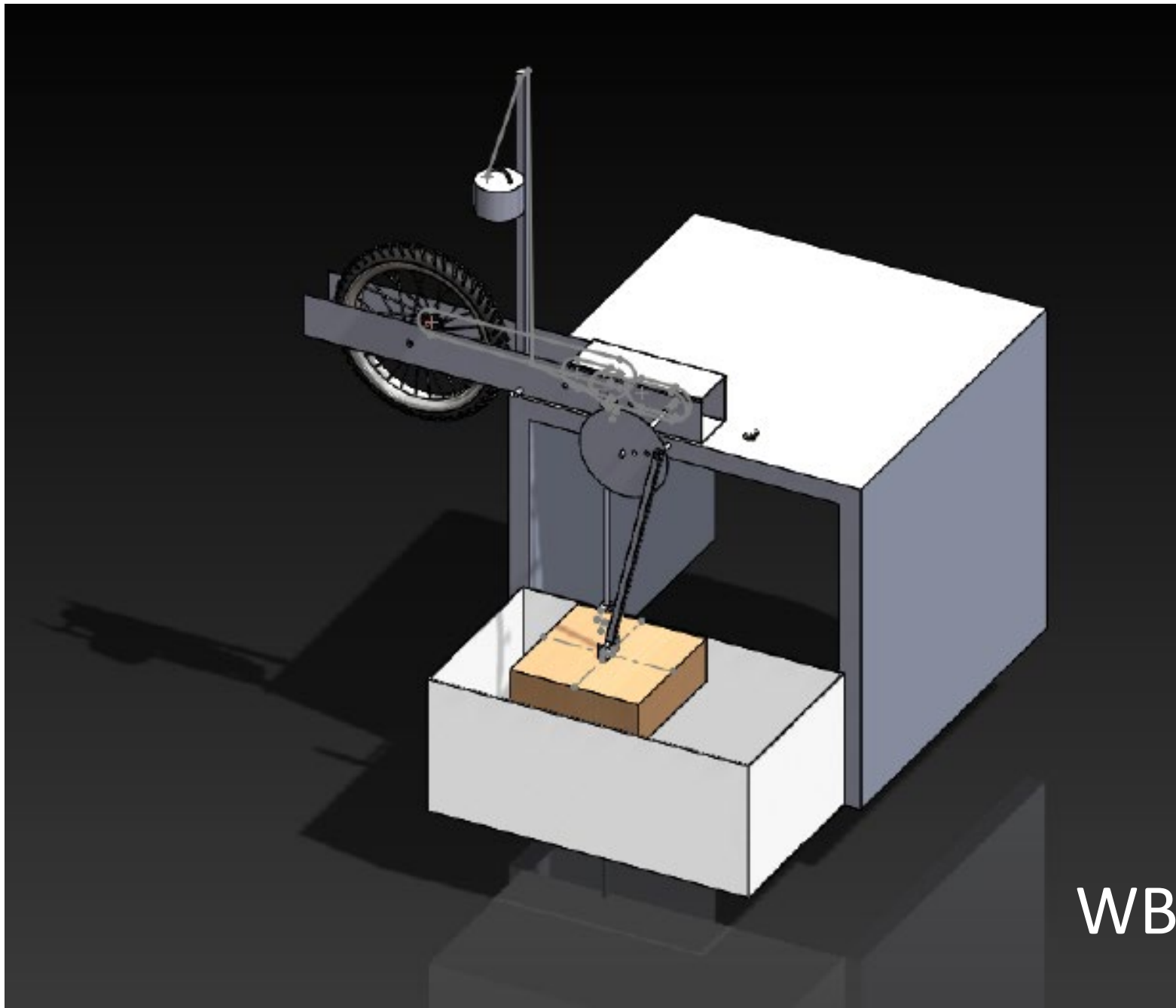
WB68



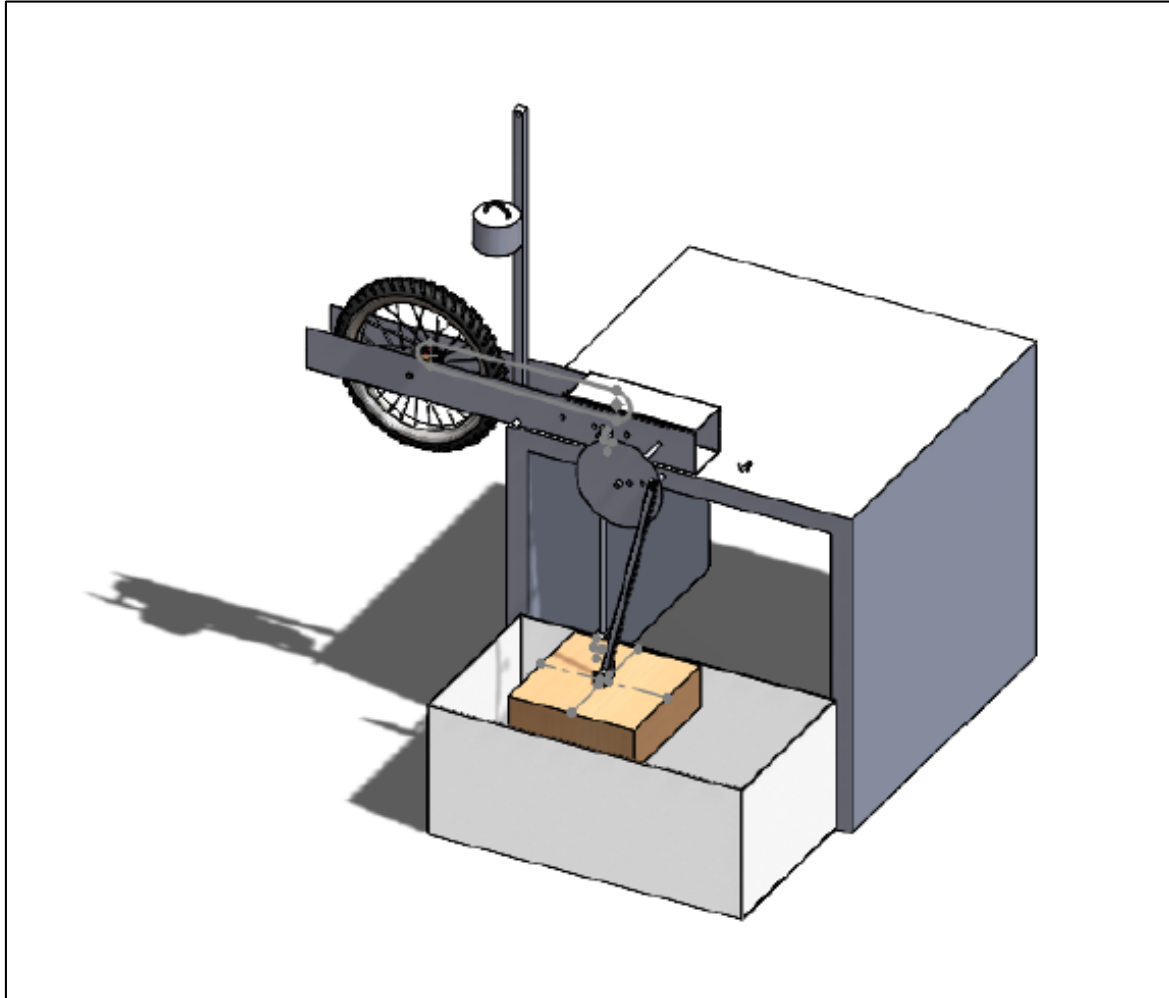
WB69



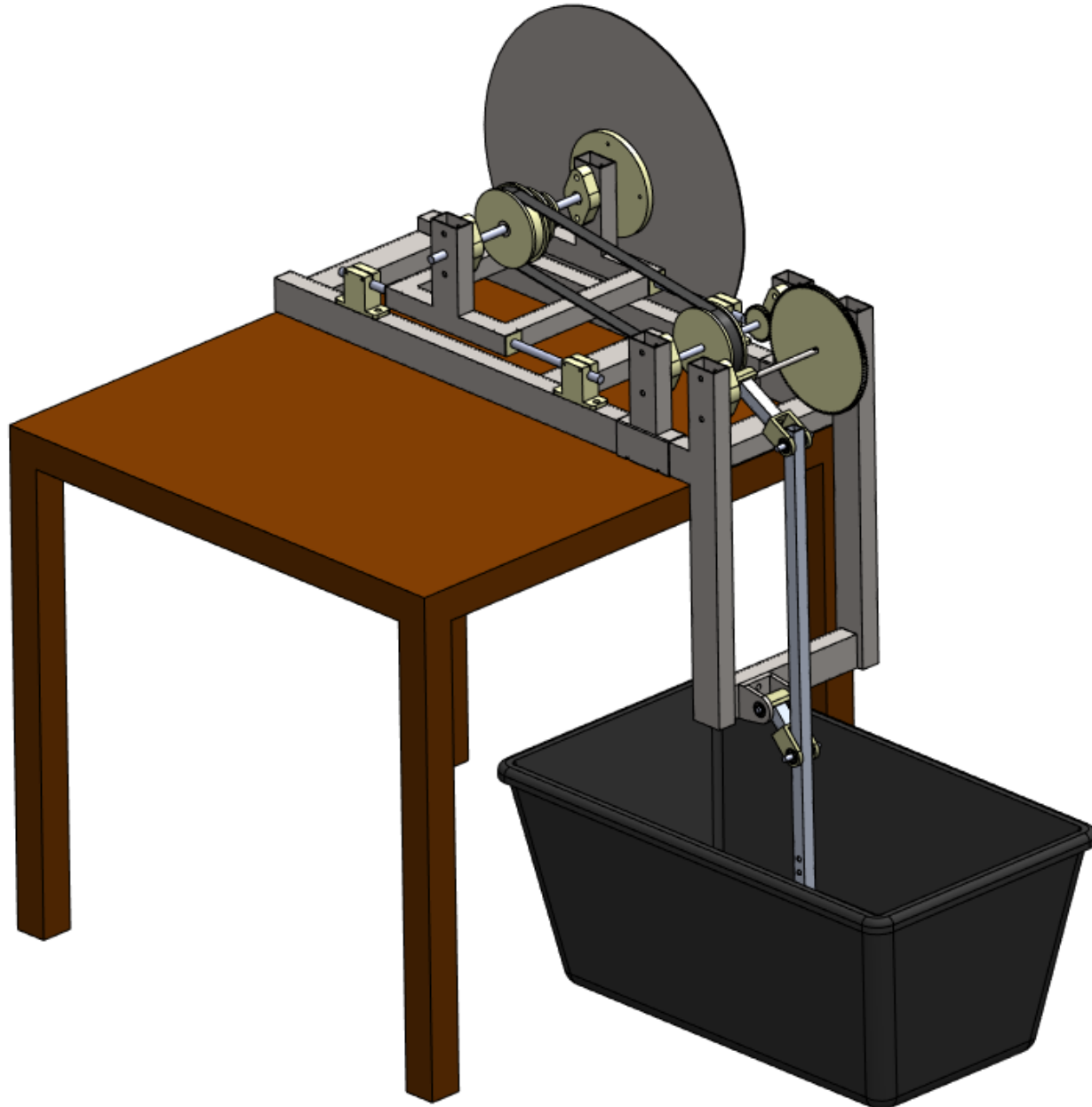
WB69



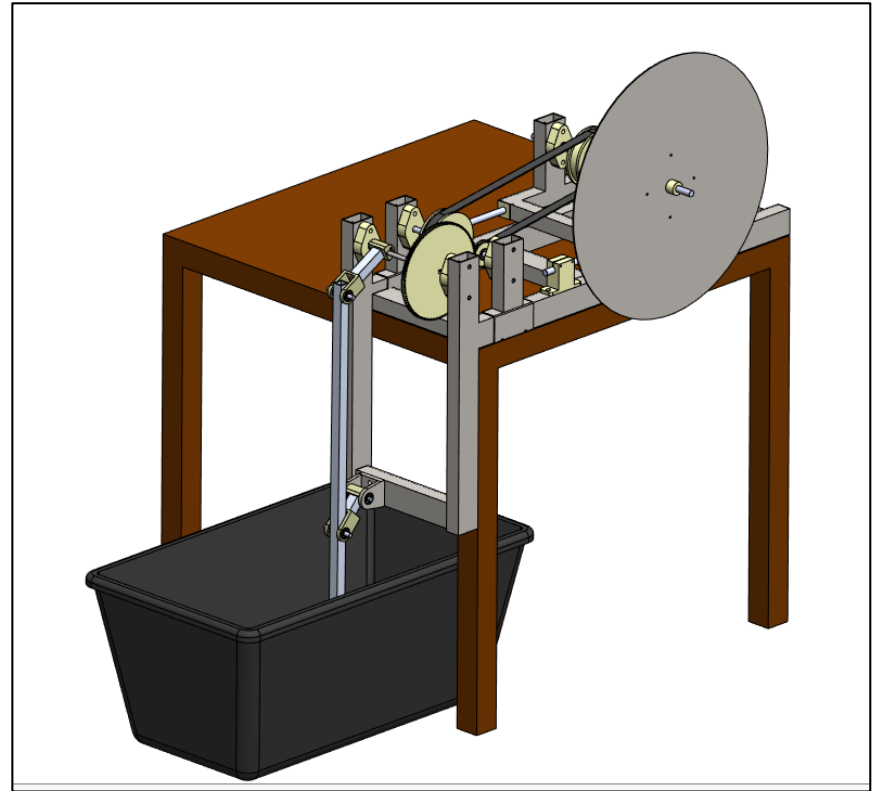
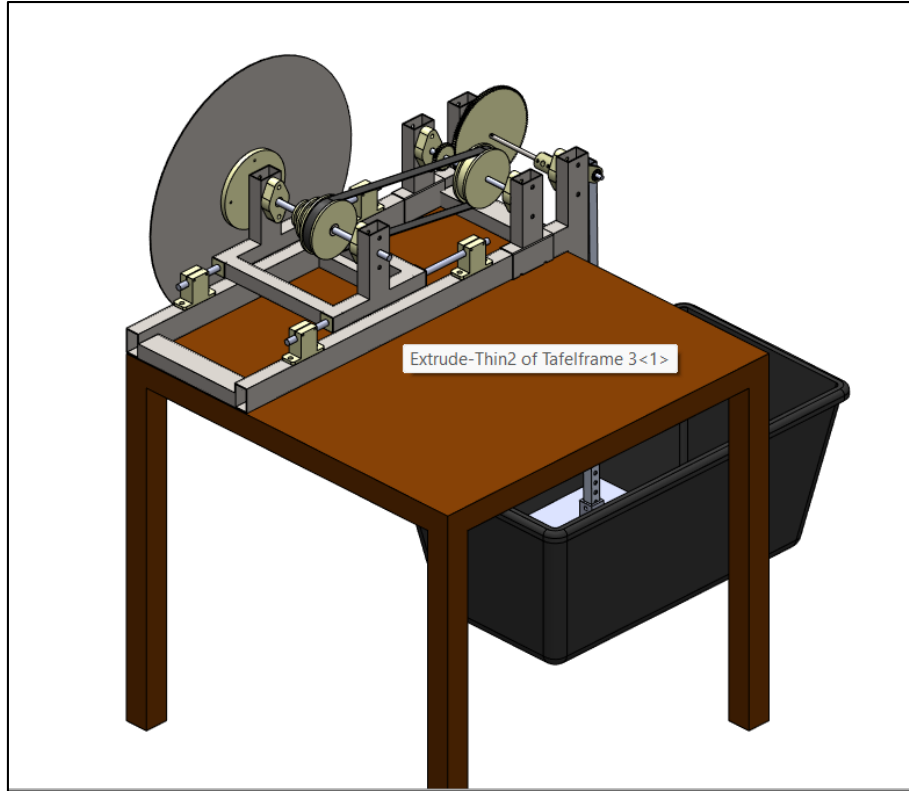
WB70



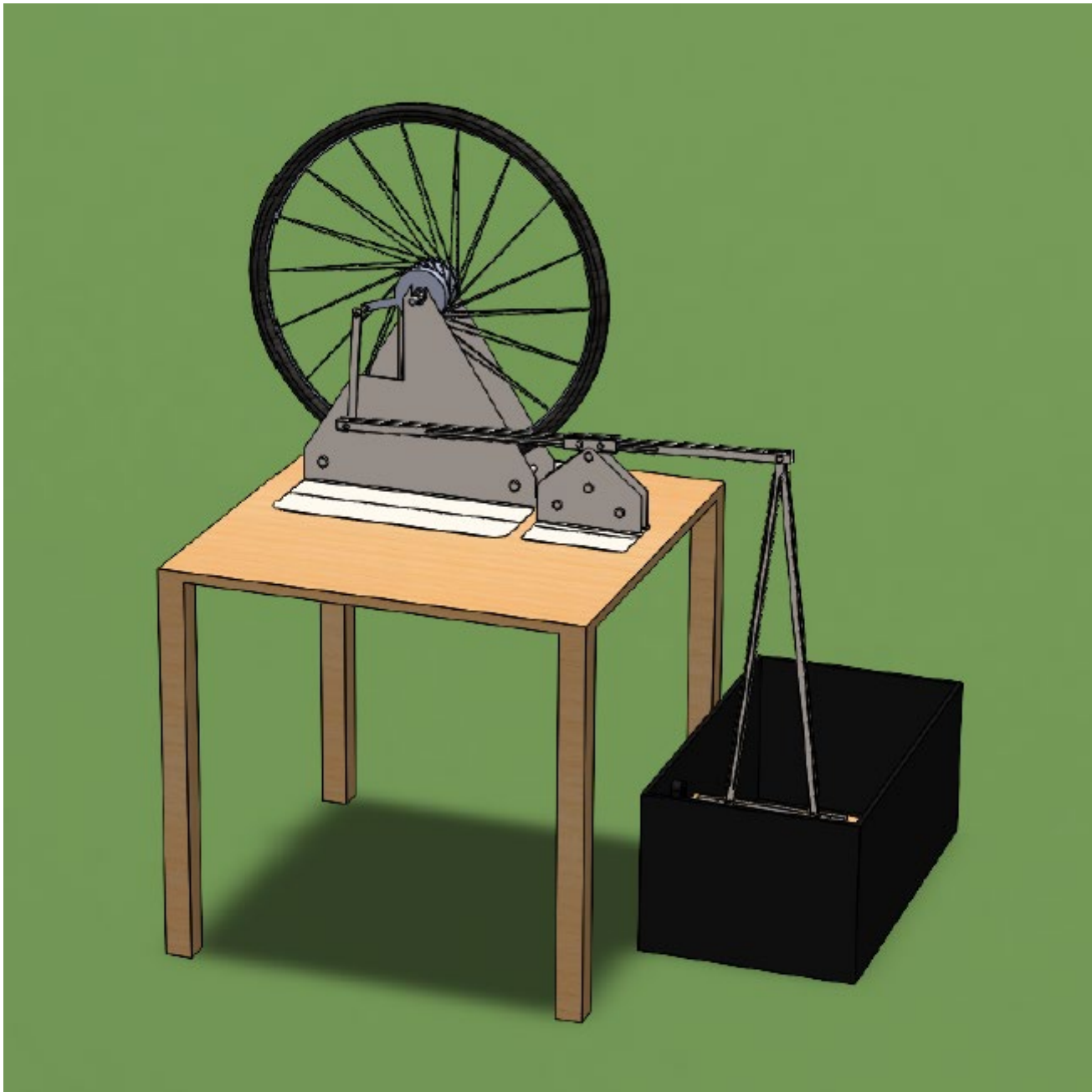
WB70



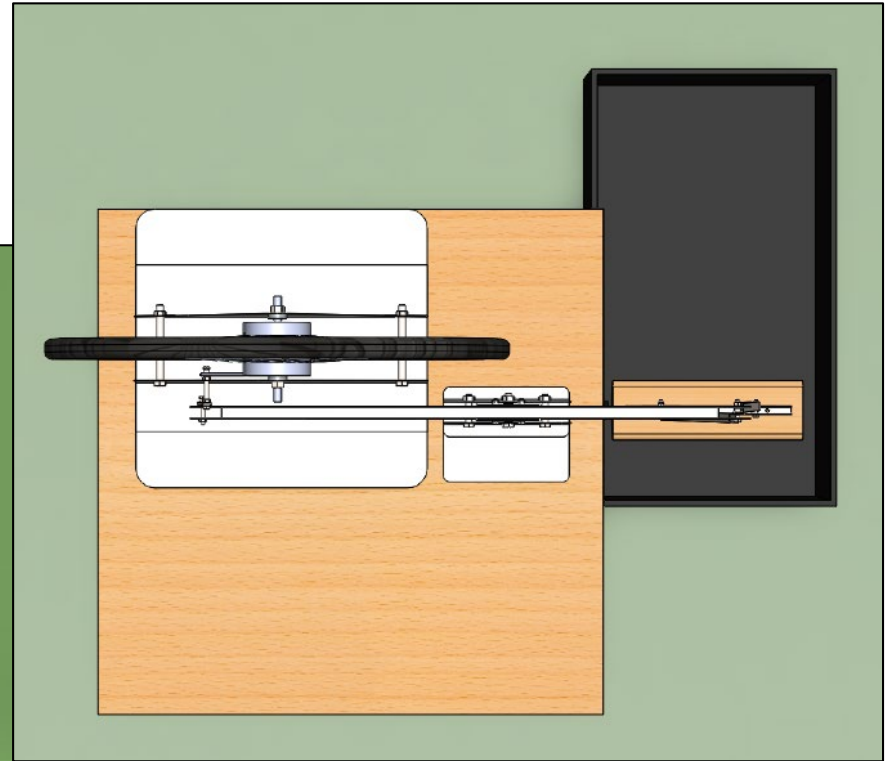
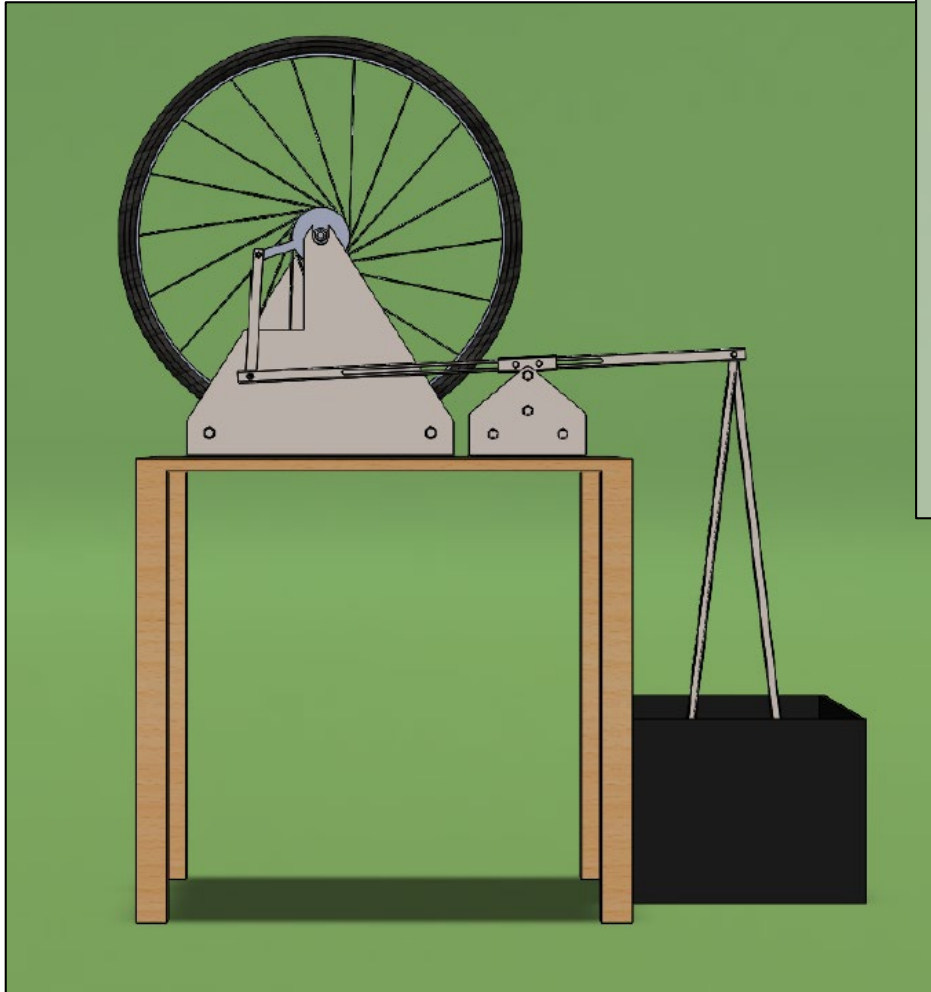
WB71



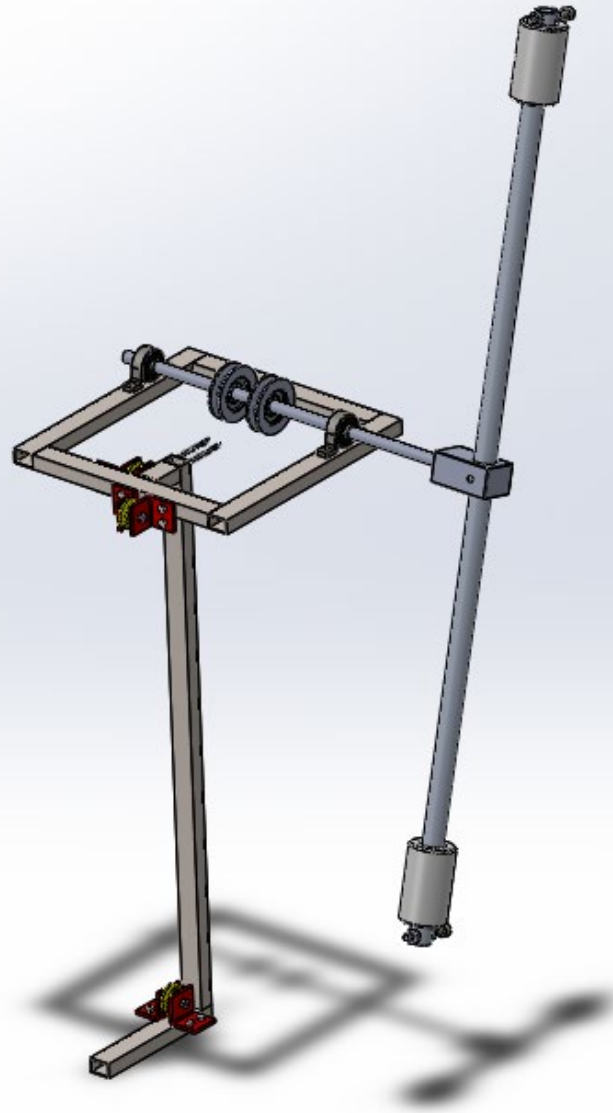
WB71



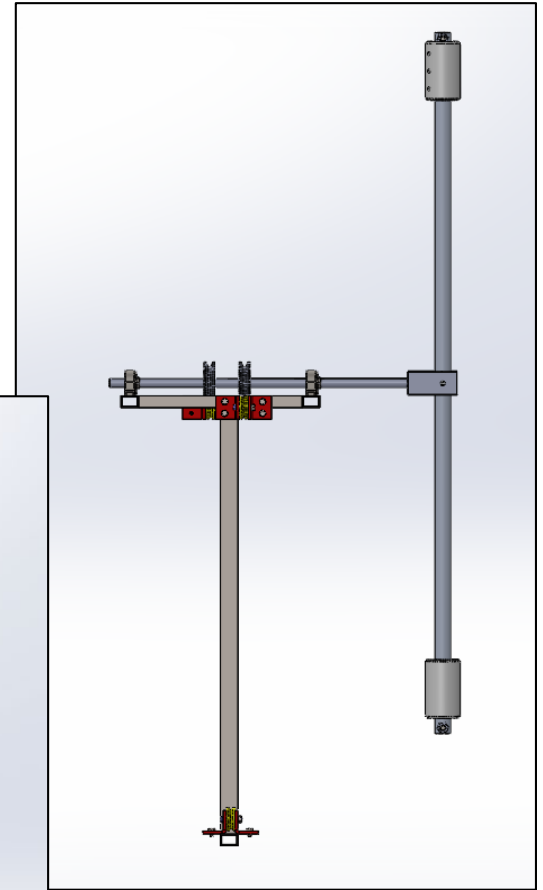
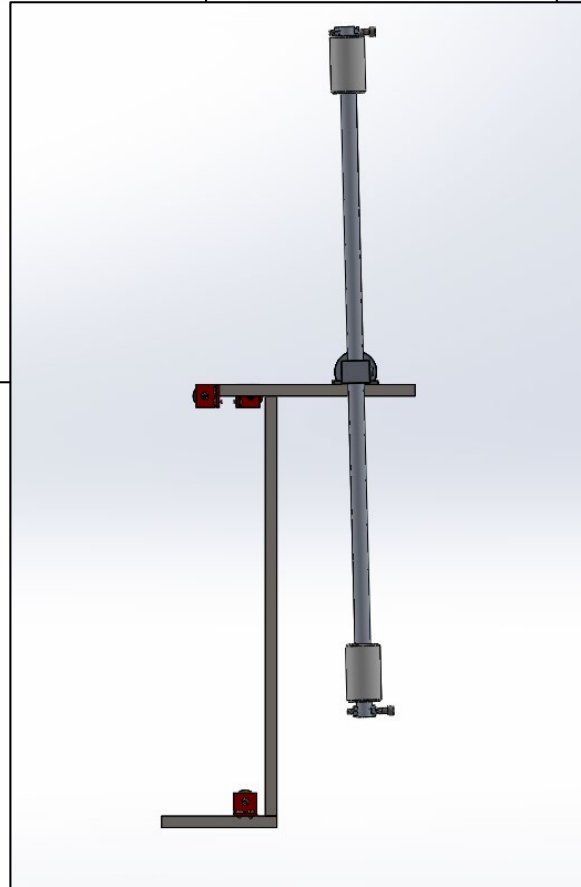
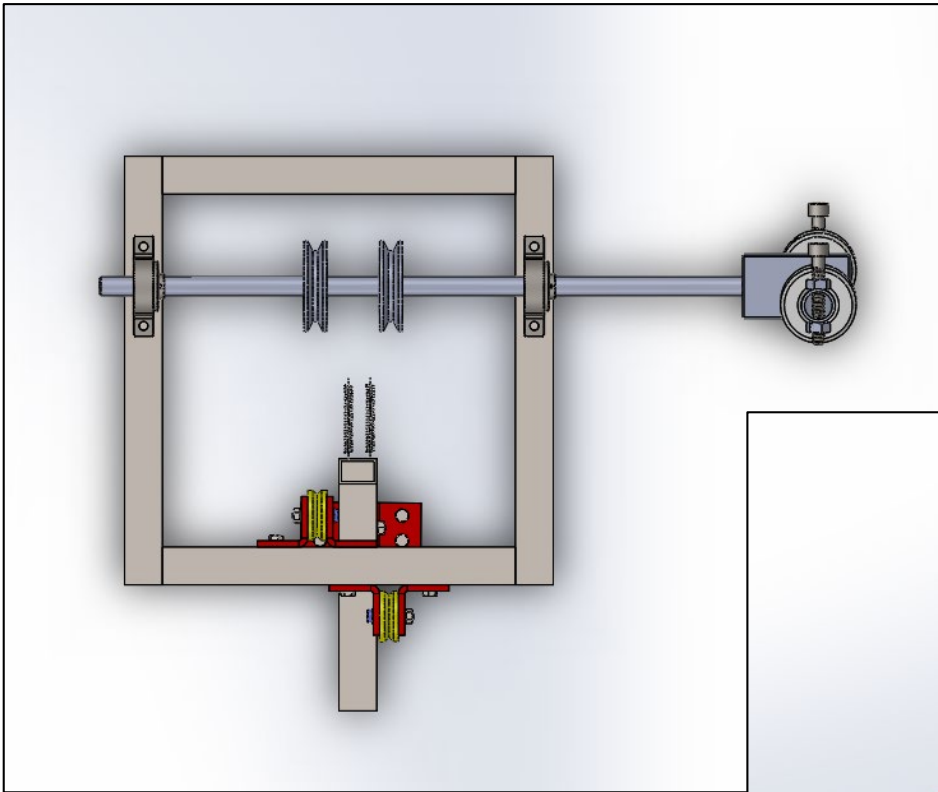
WB72



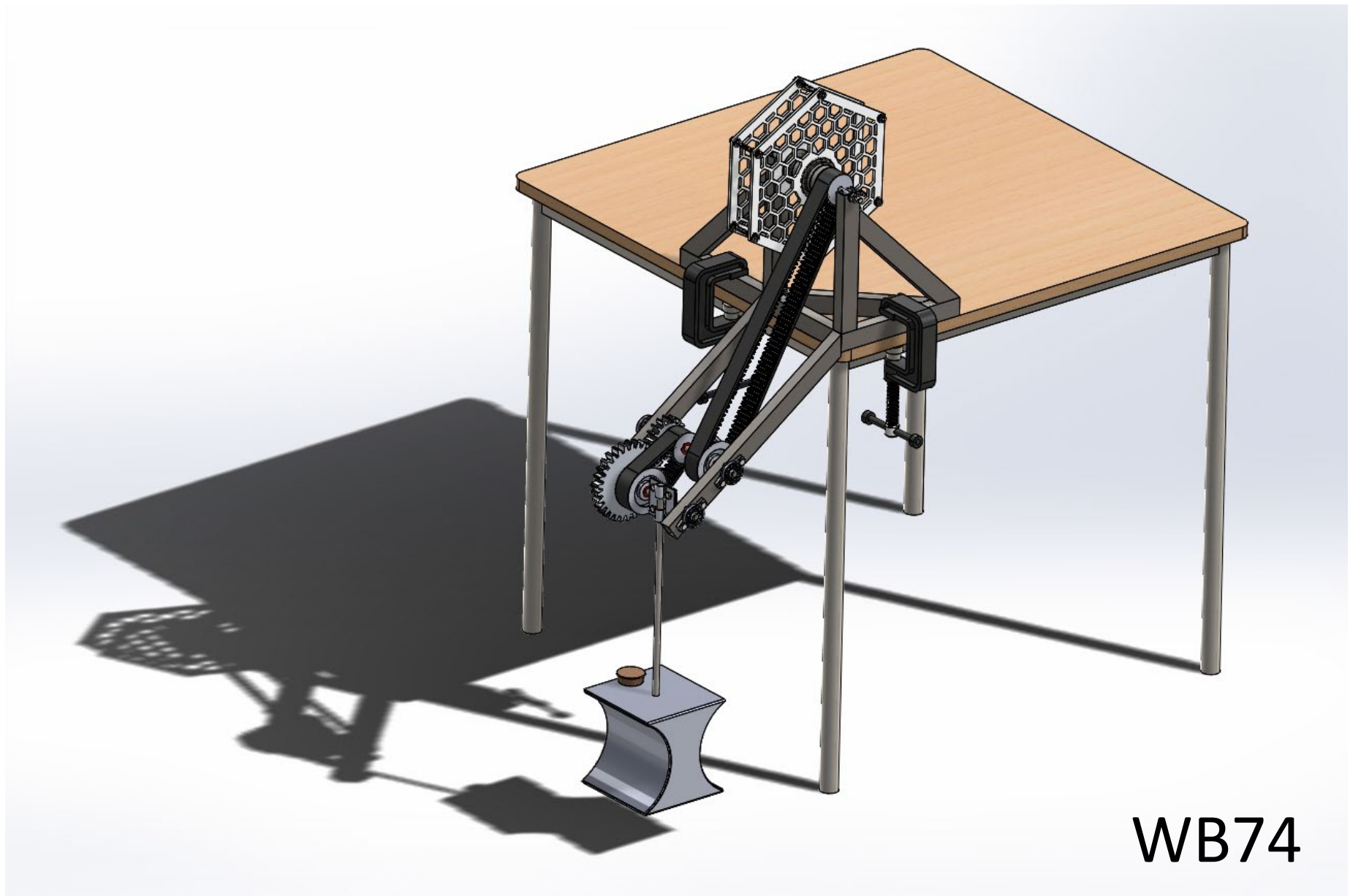
WB72



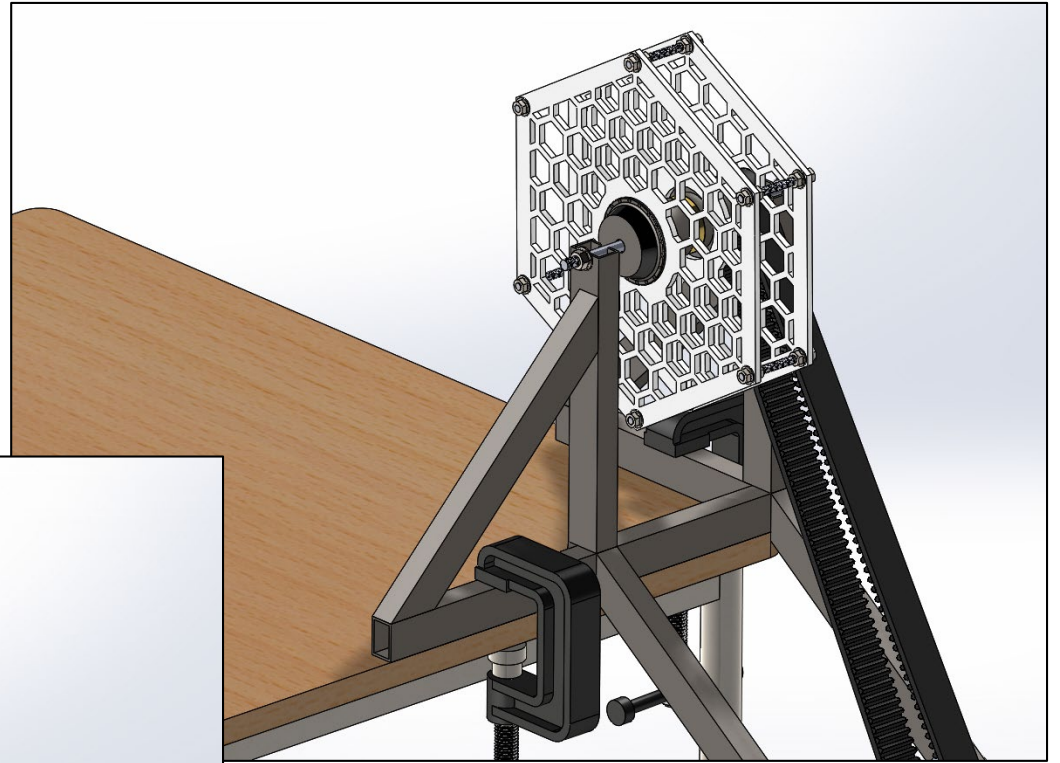
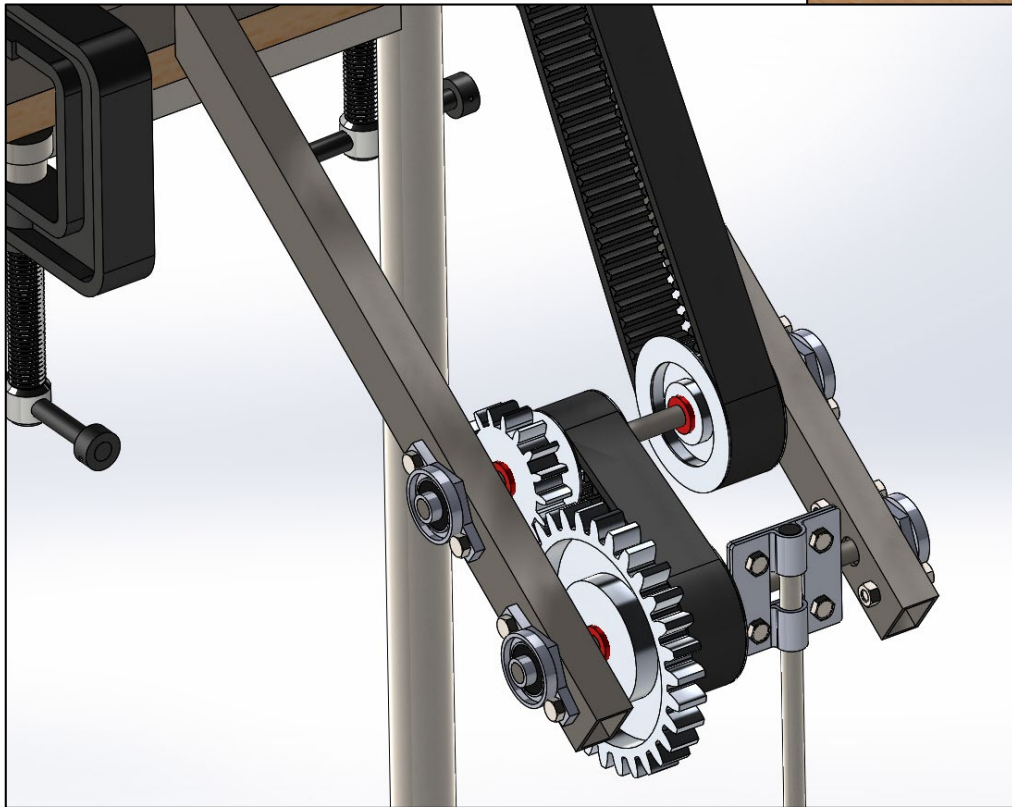
WB73



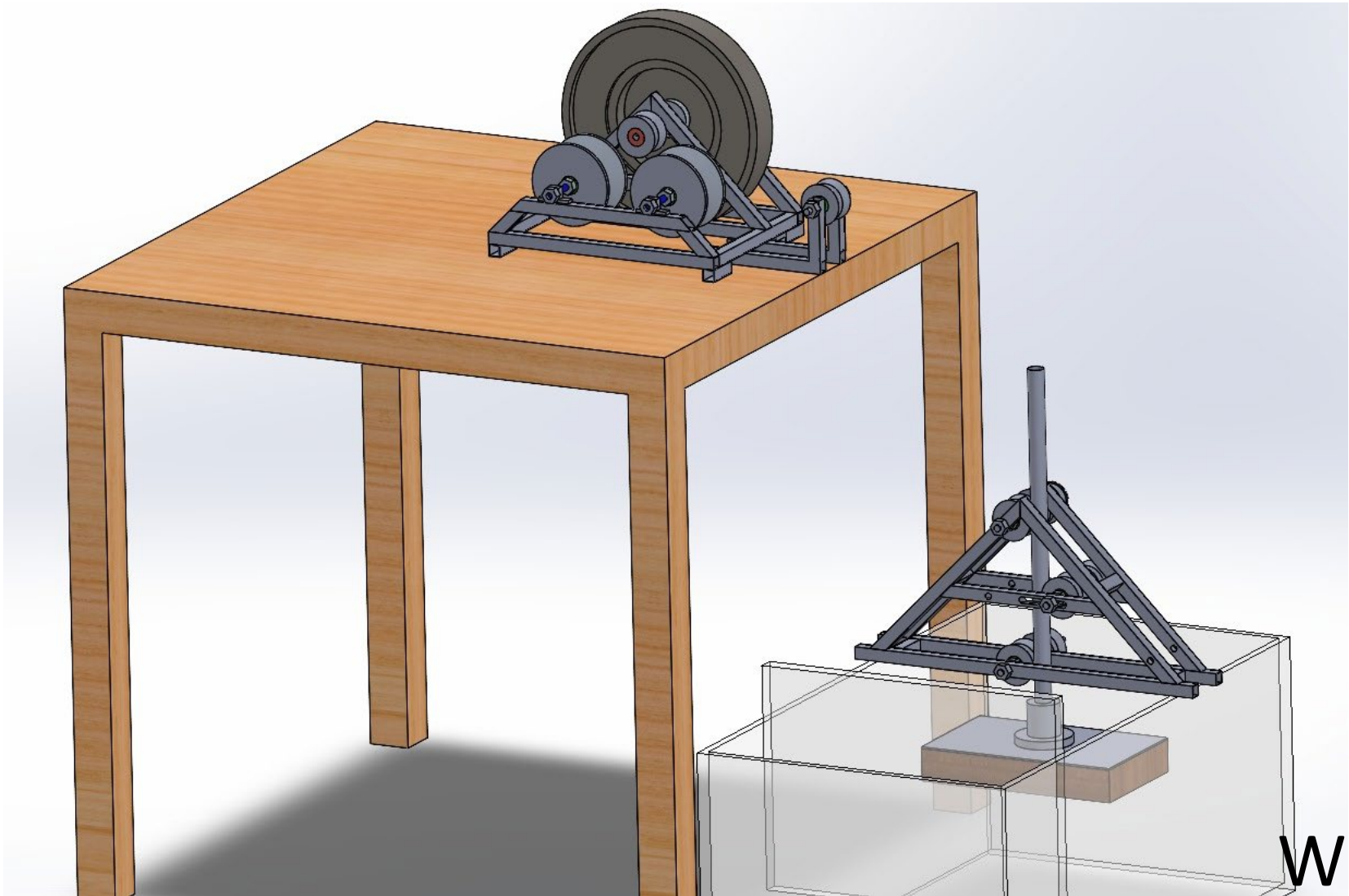
WB73



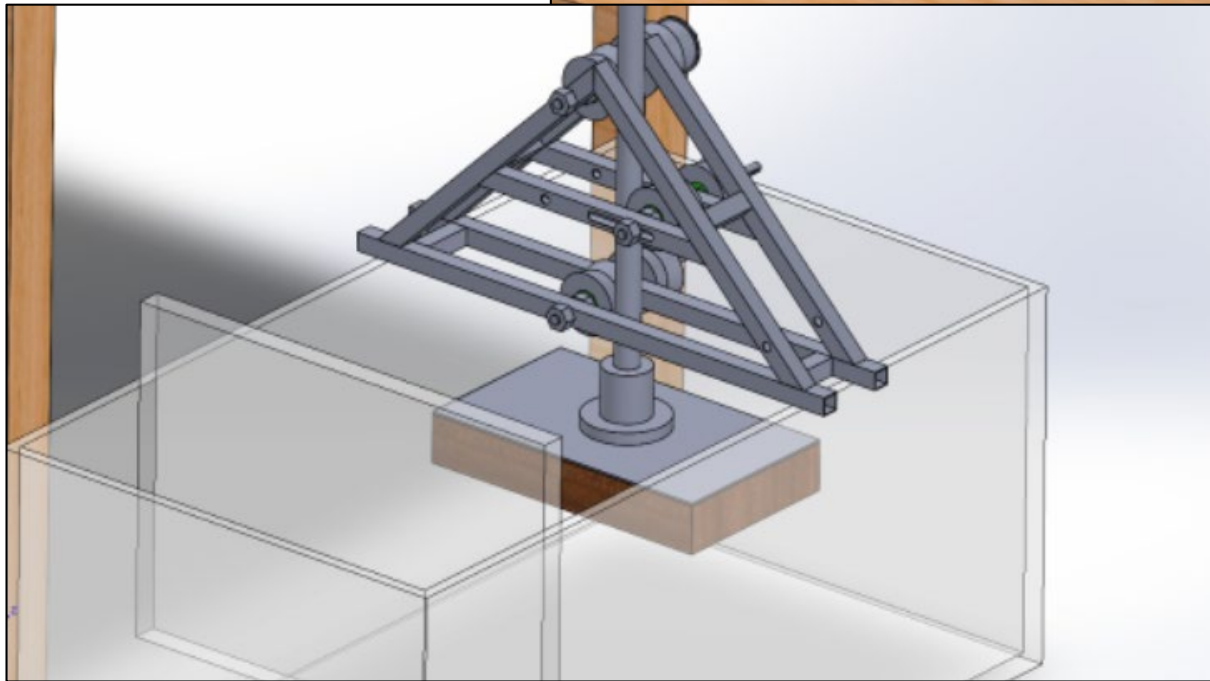
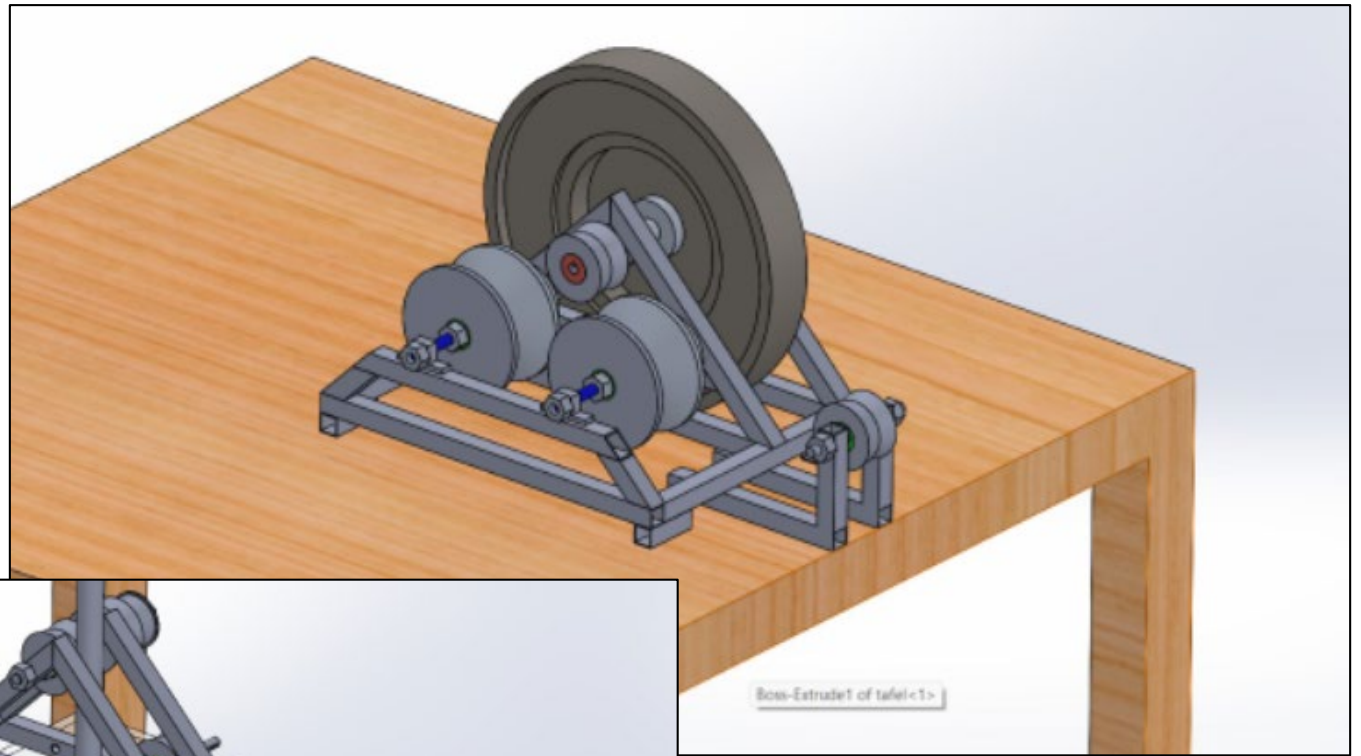
WB74



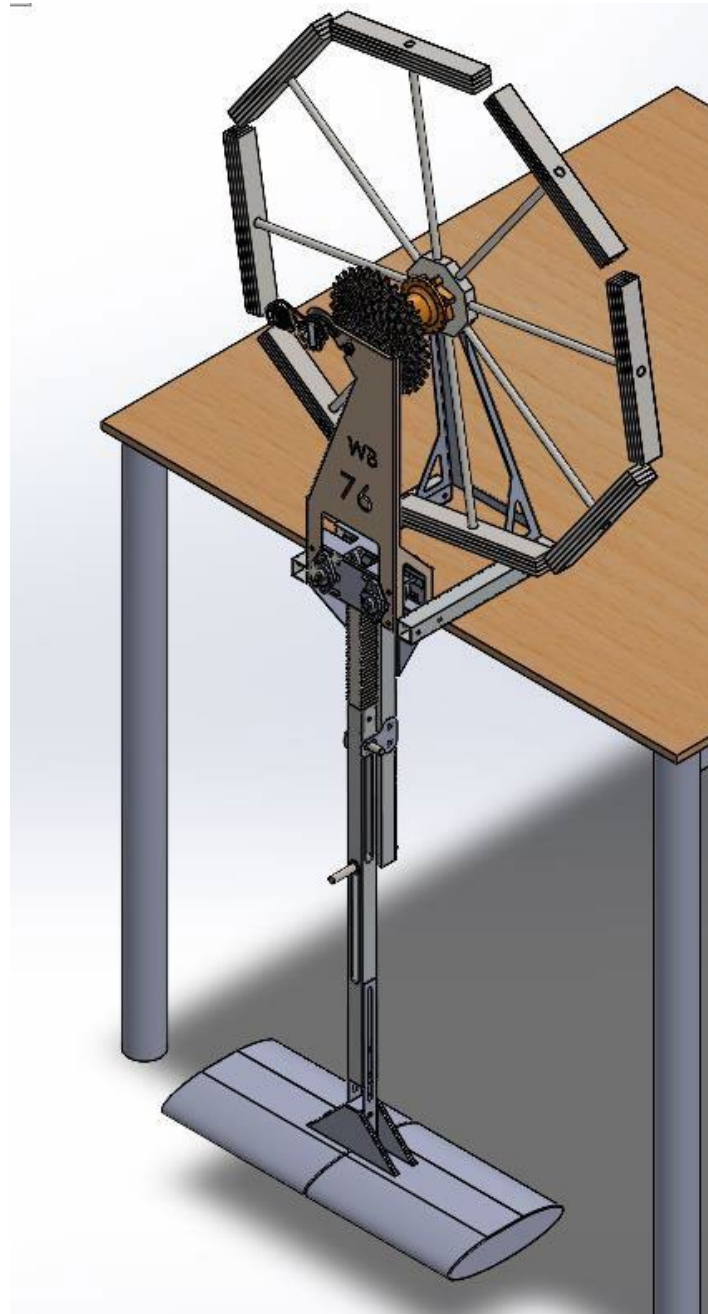
WB74



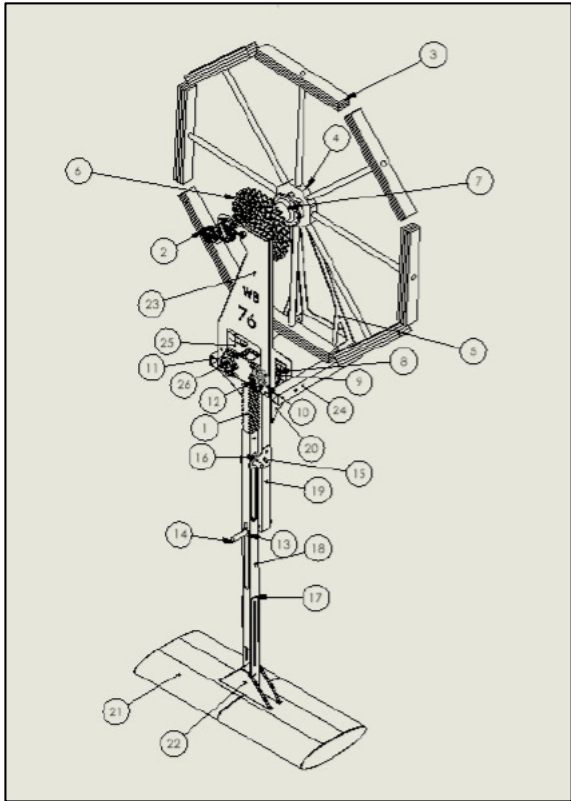
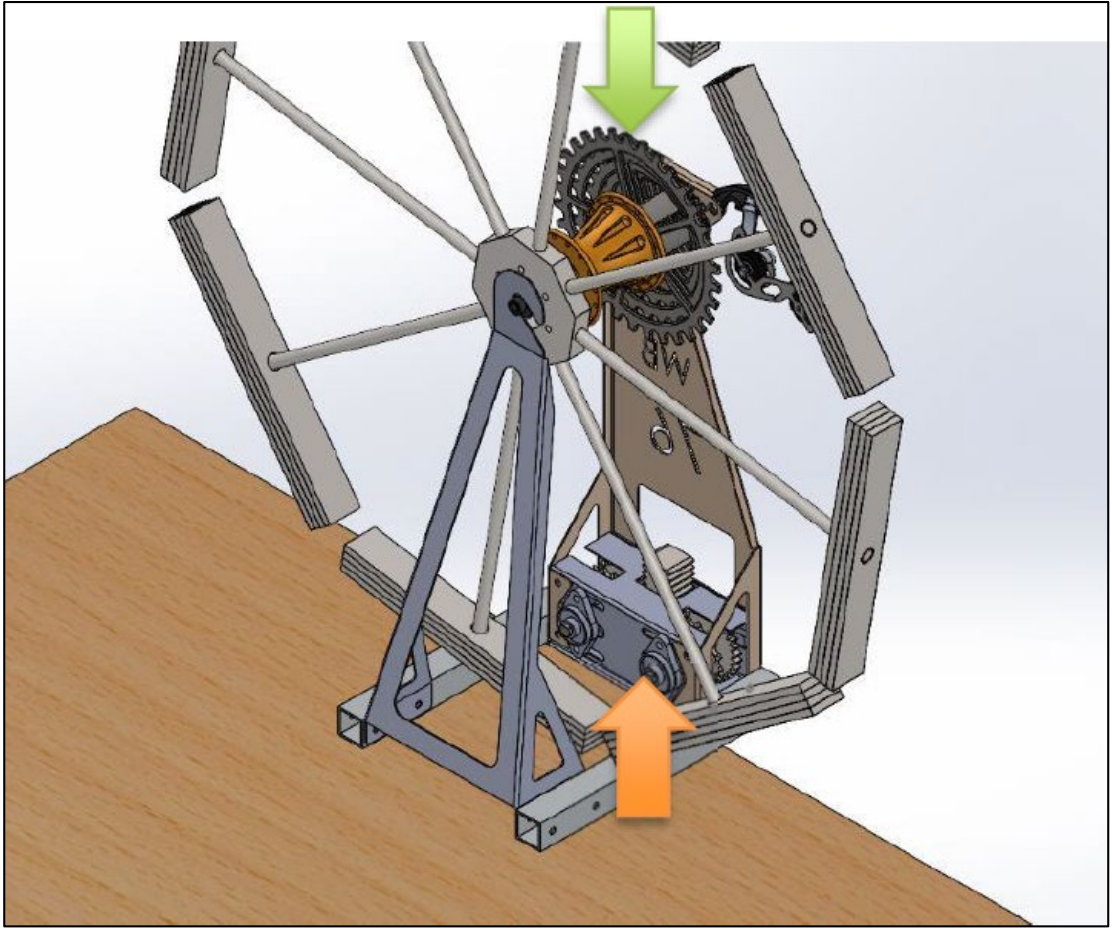
WB75



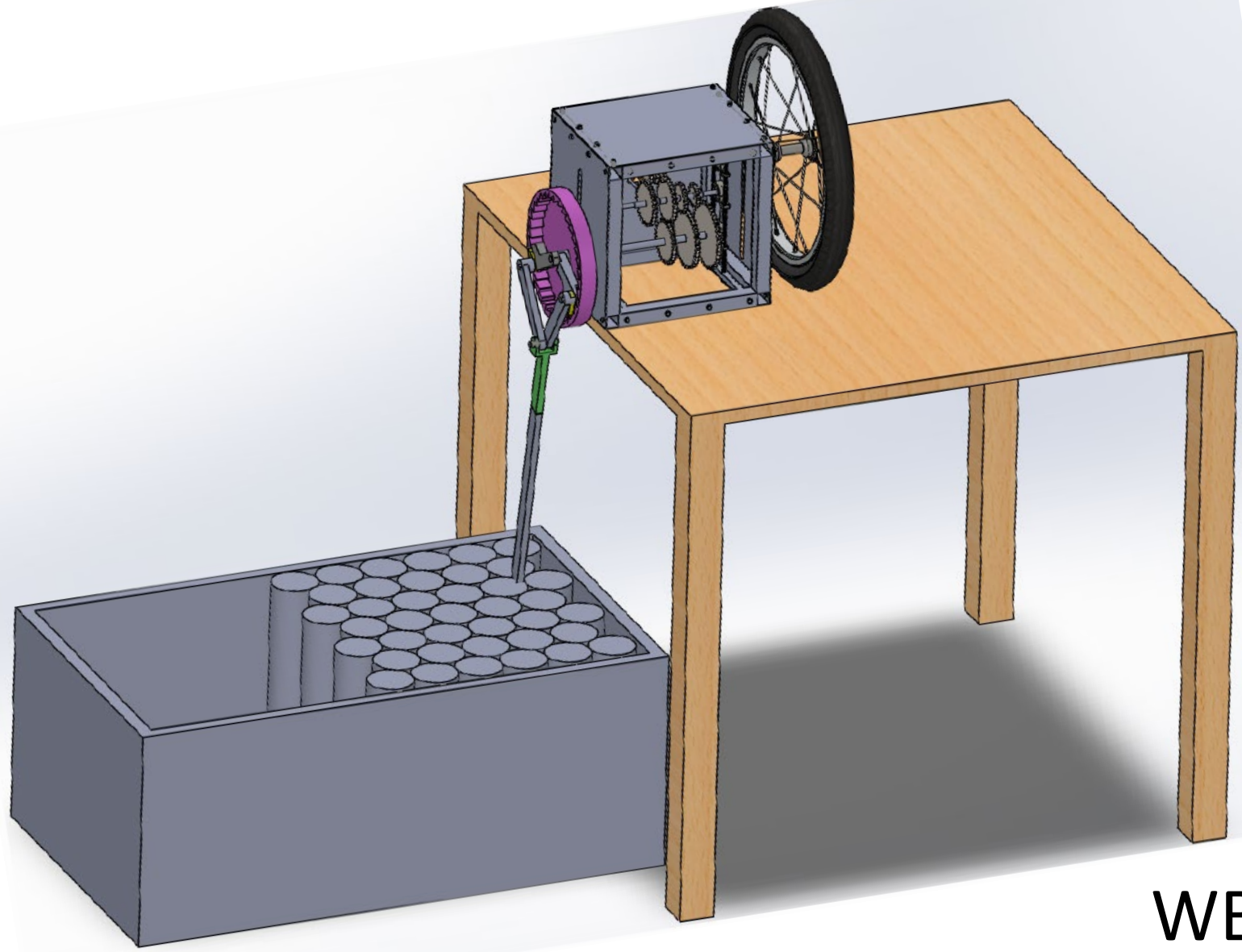
WB75



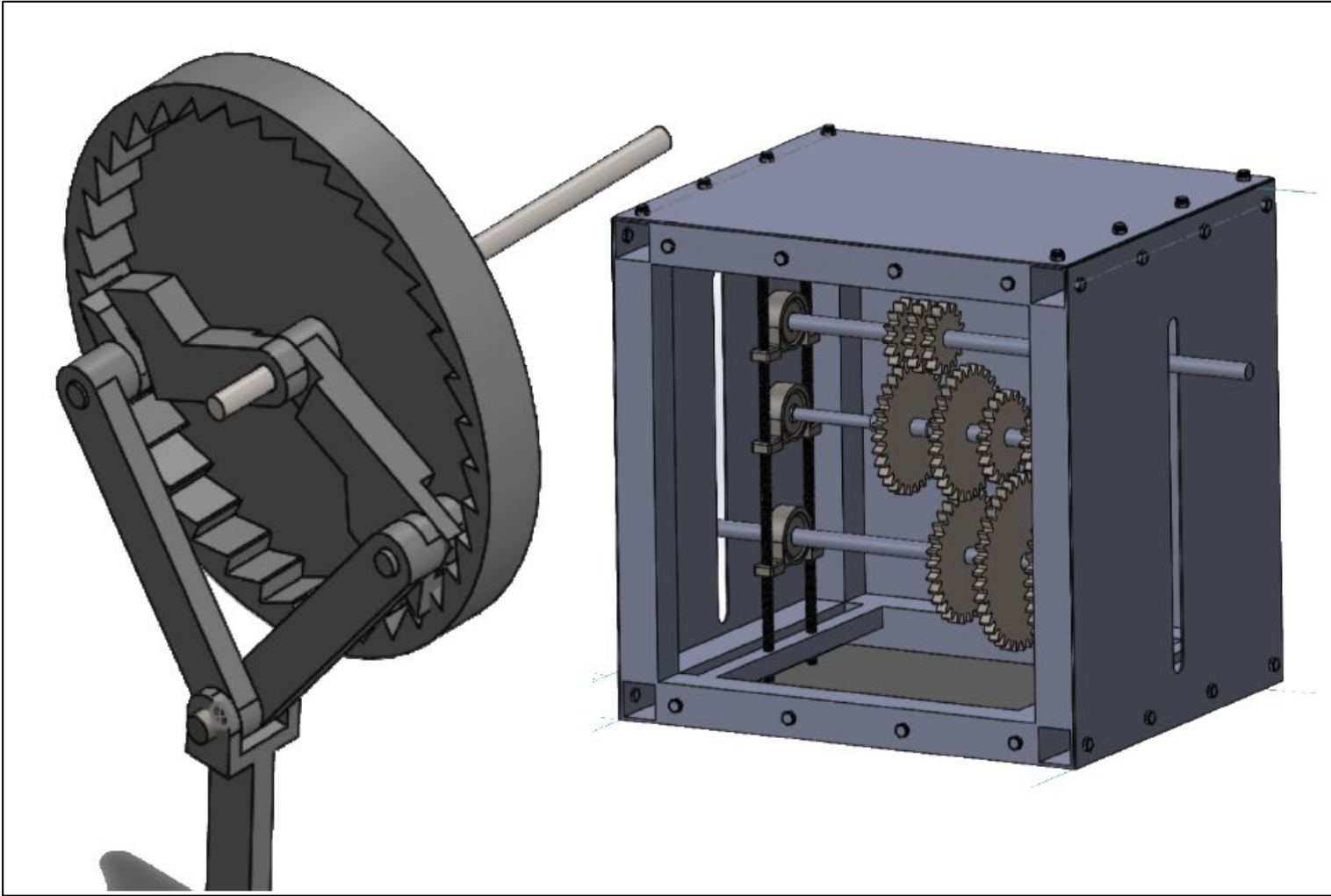
WB76



WB76



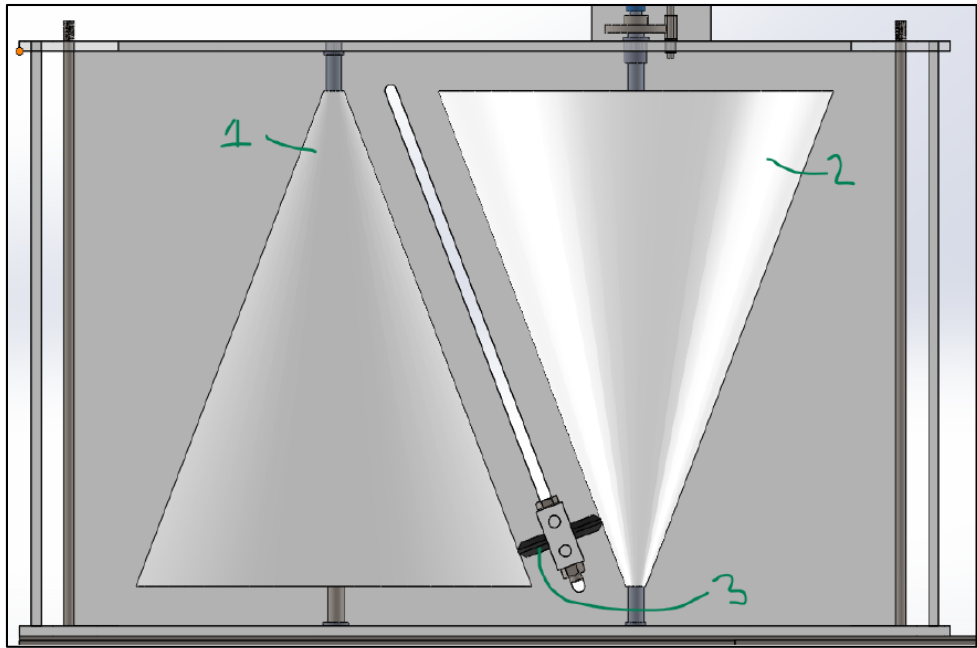
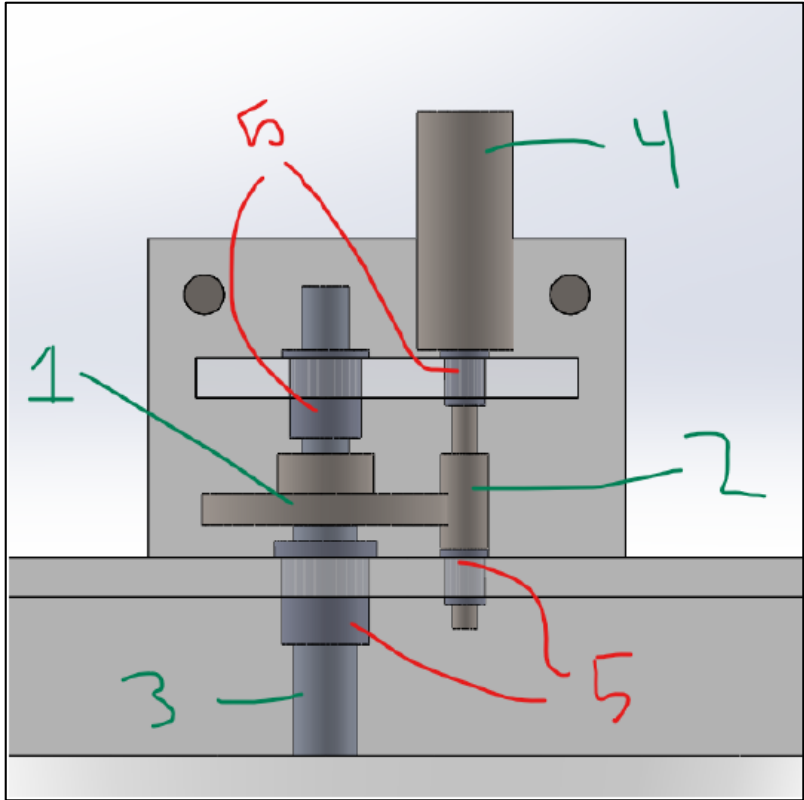
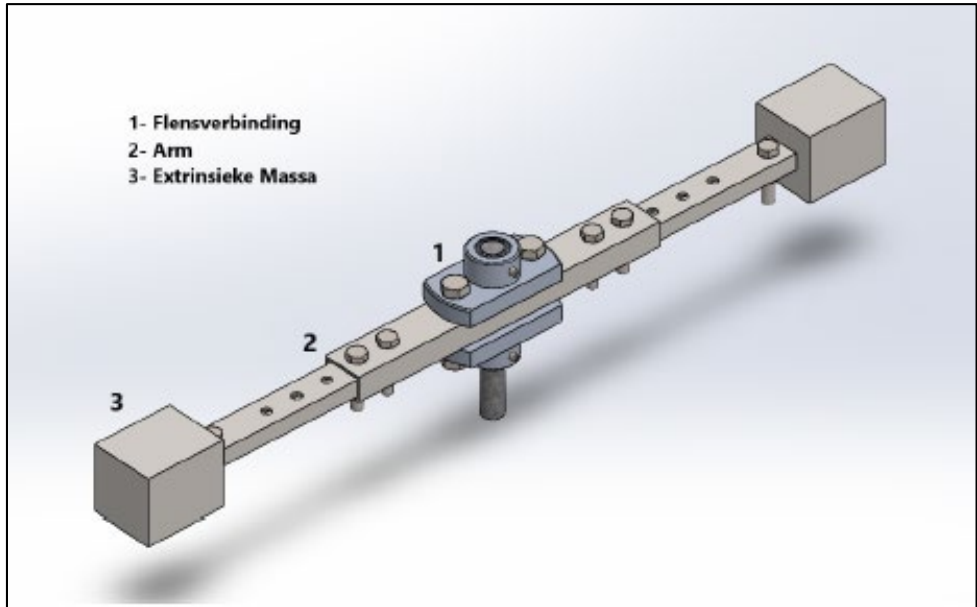
WB77



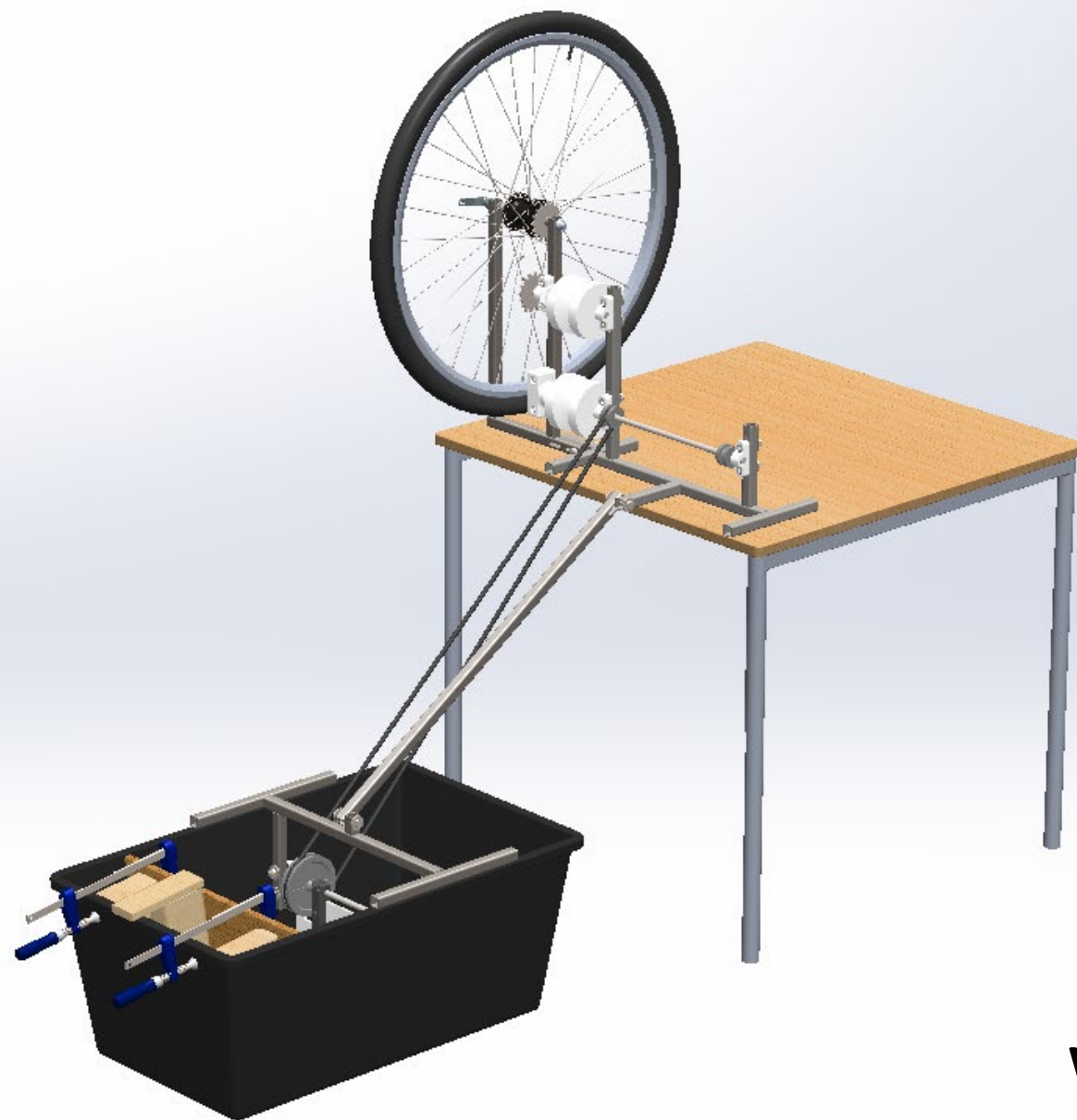
WB77



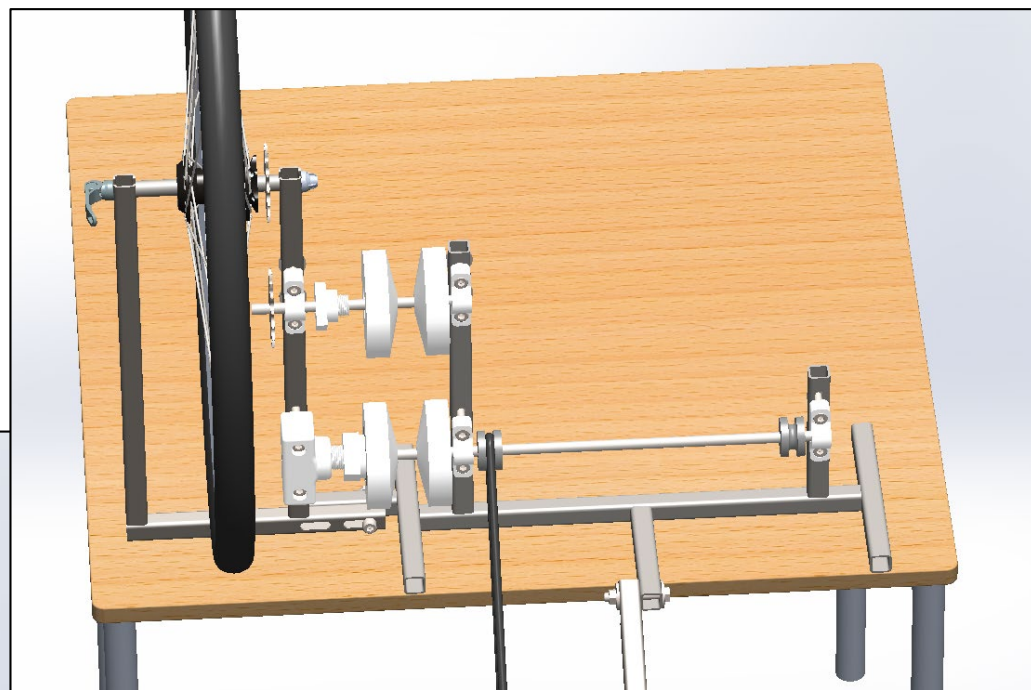
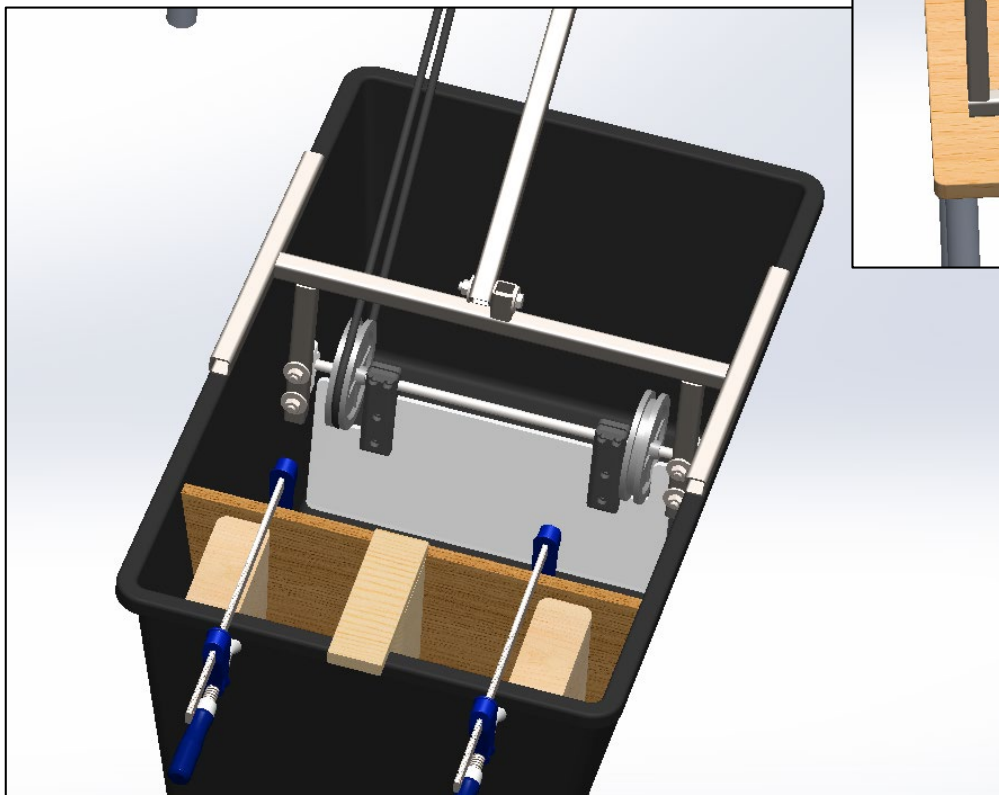
WB78



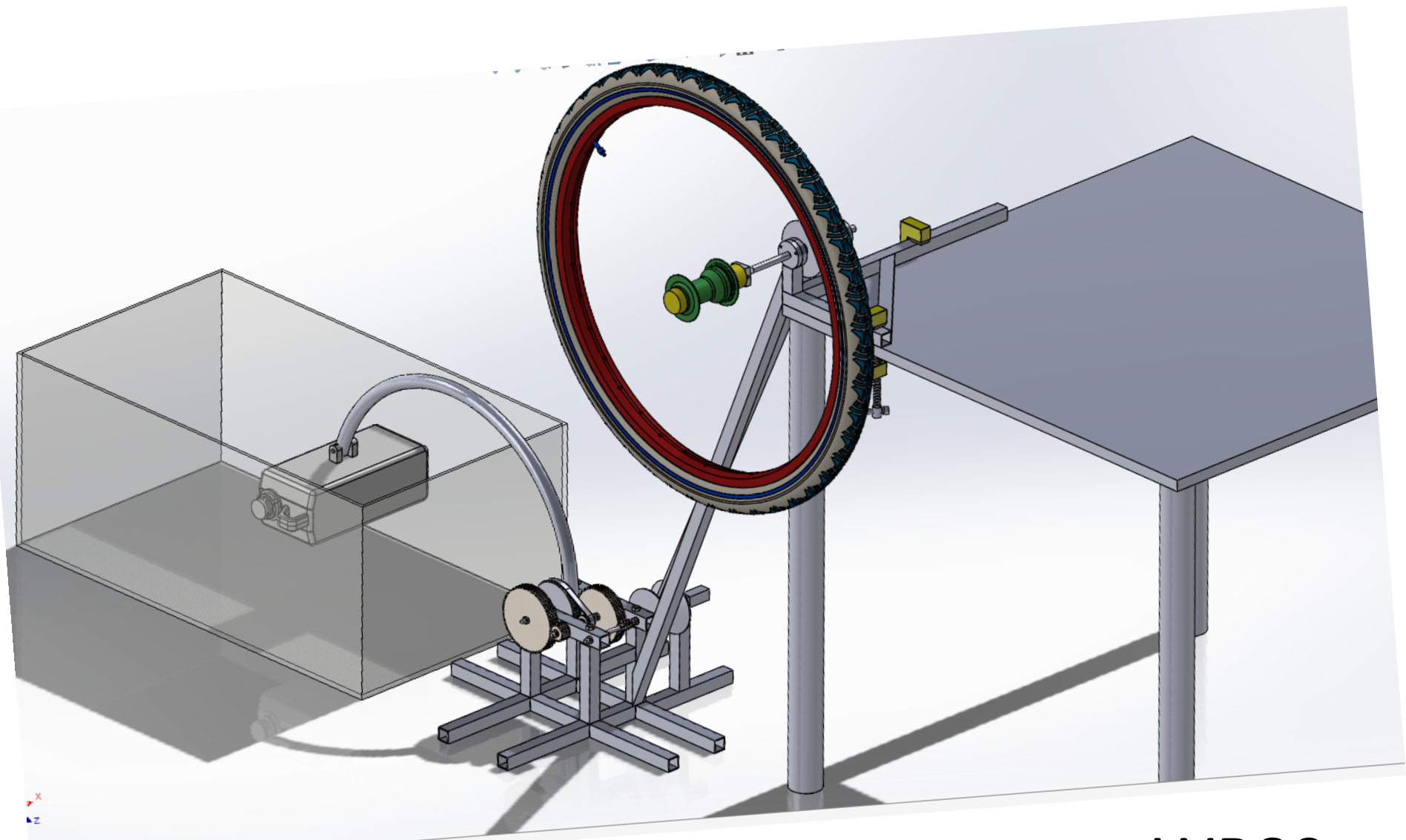
WB78



WB79



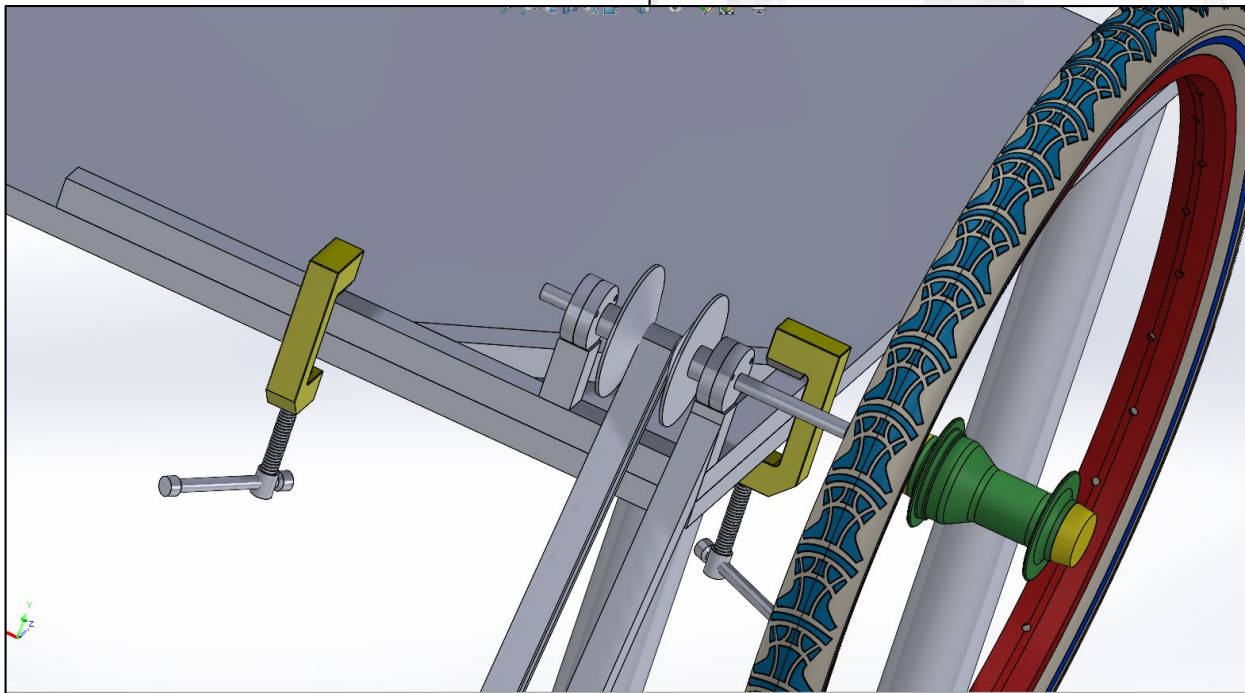
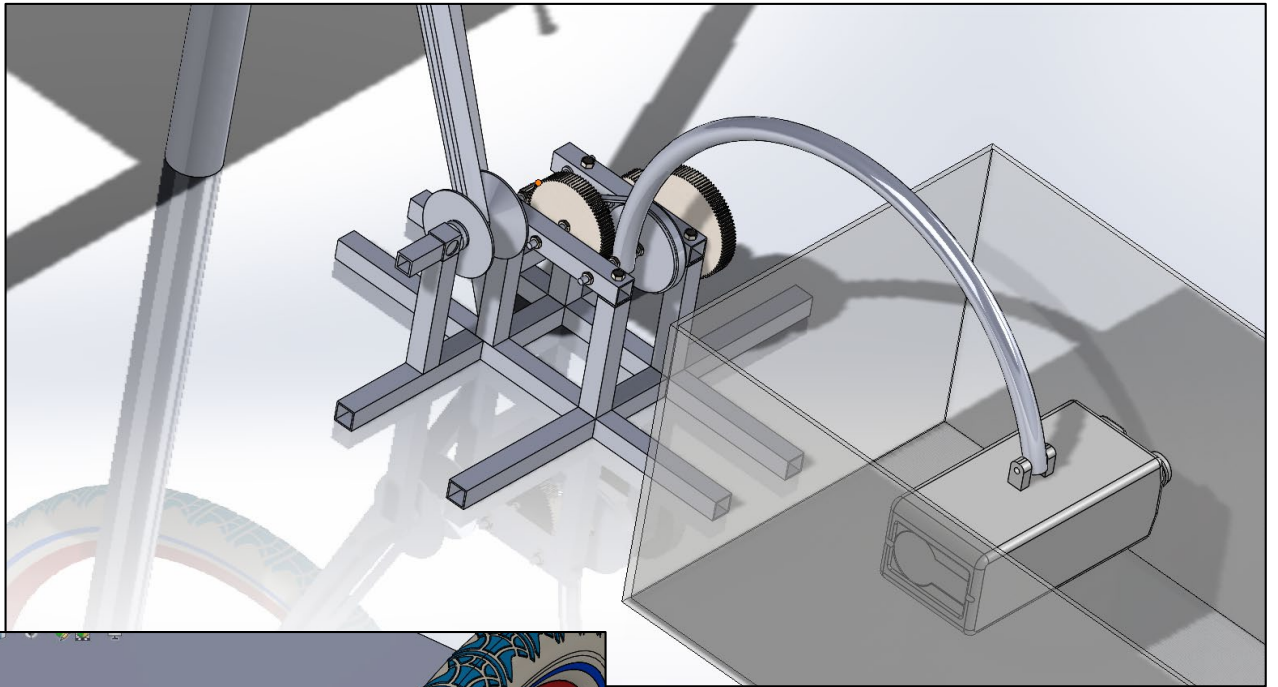
WB79



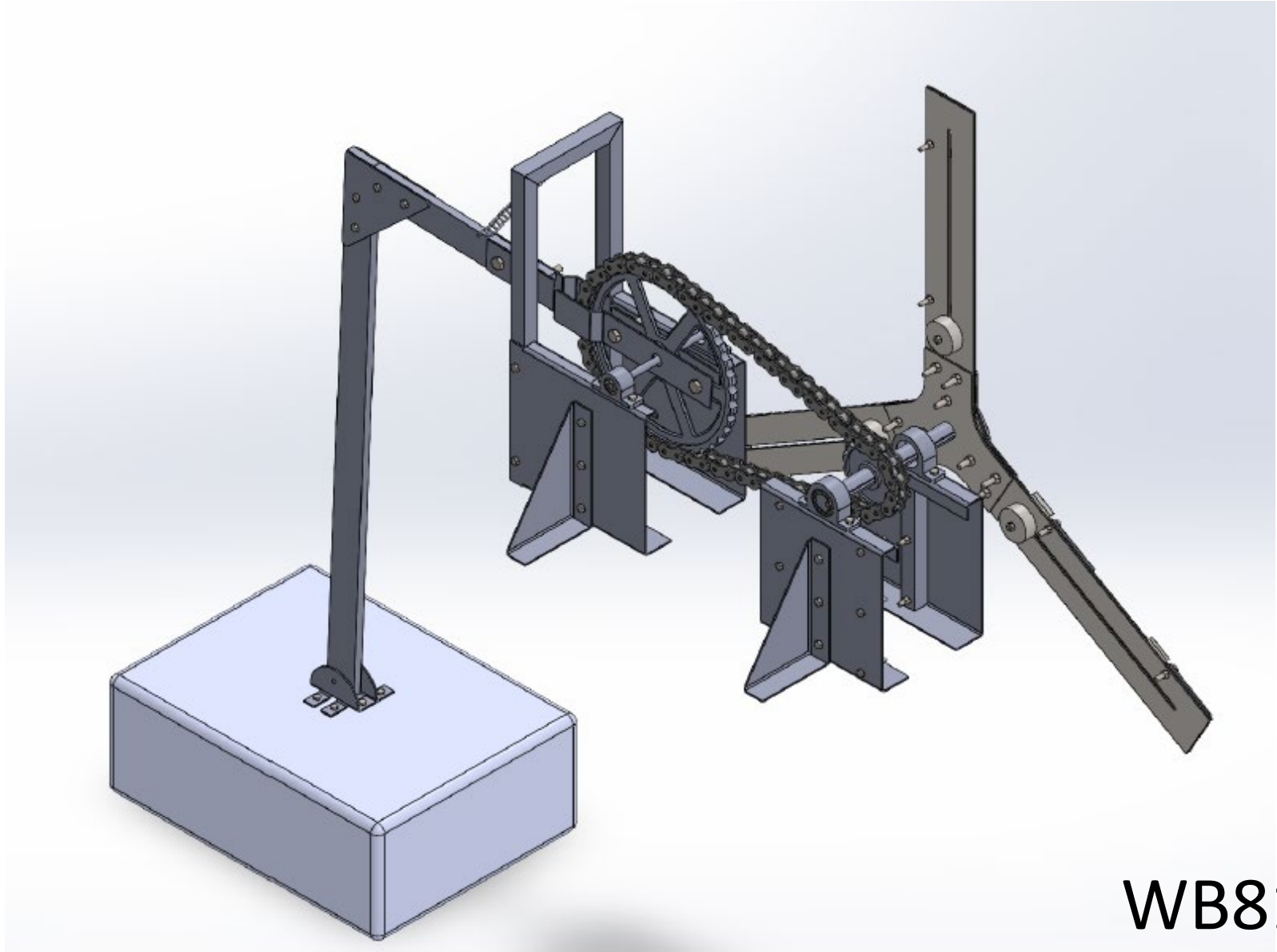
x
y
z

ation Study.1

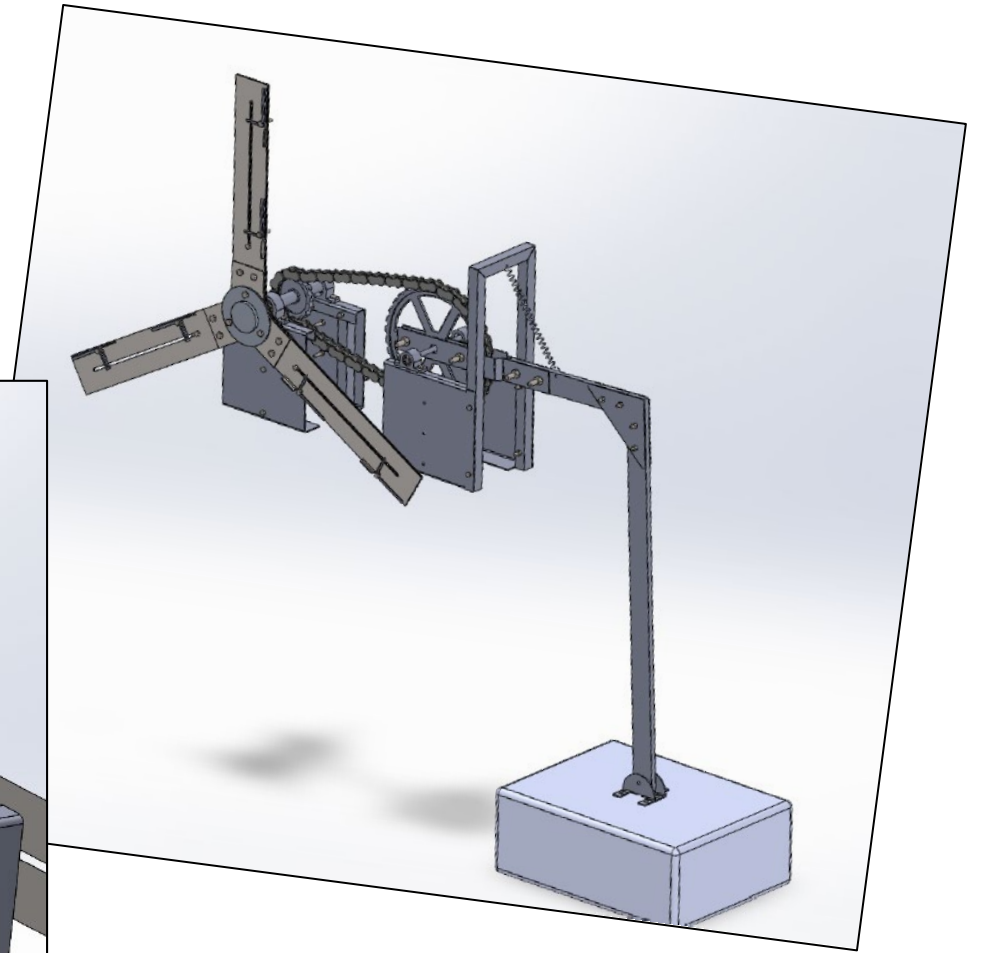
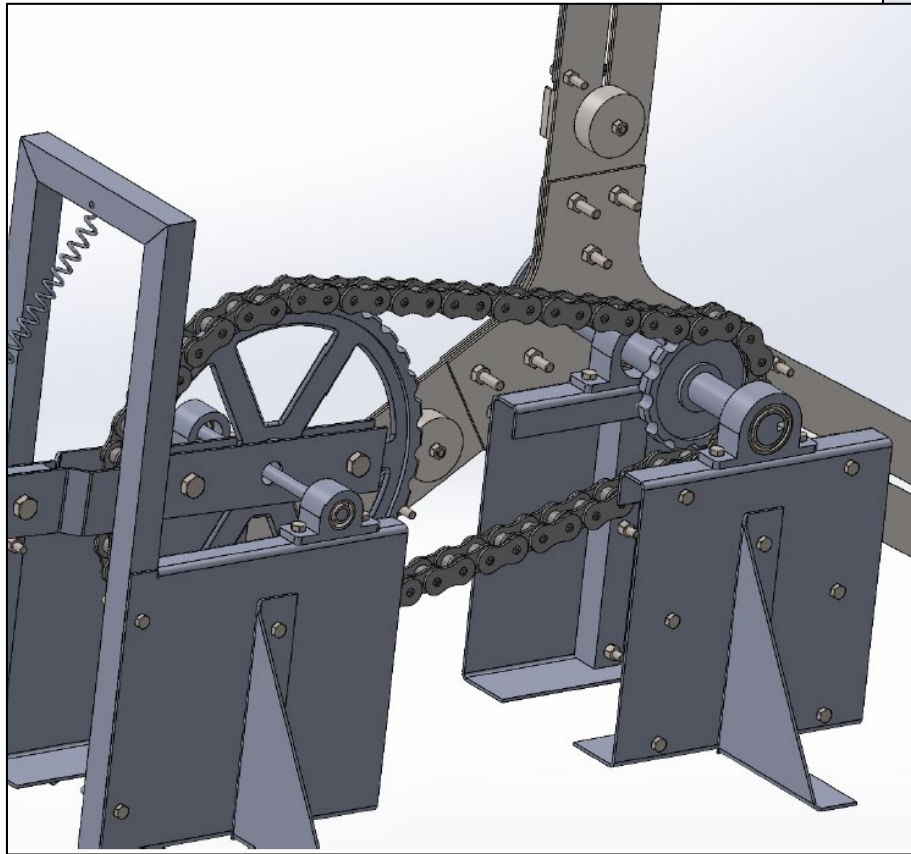
WB80



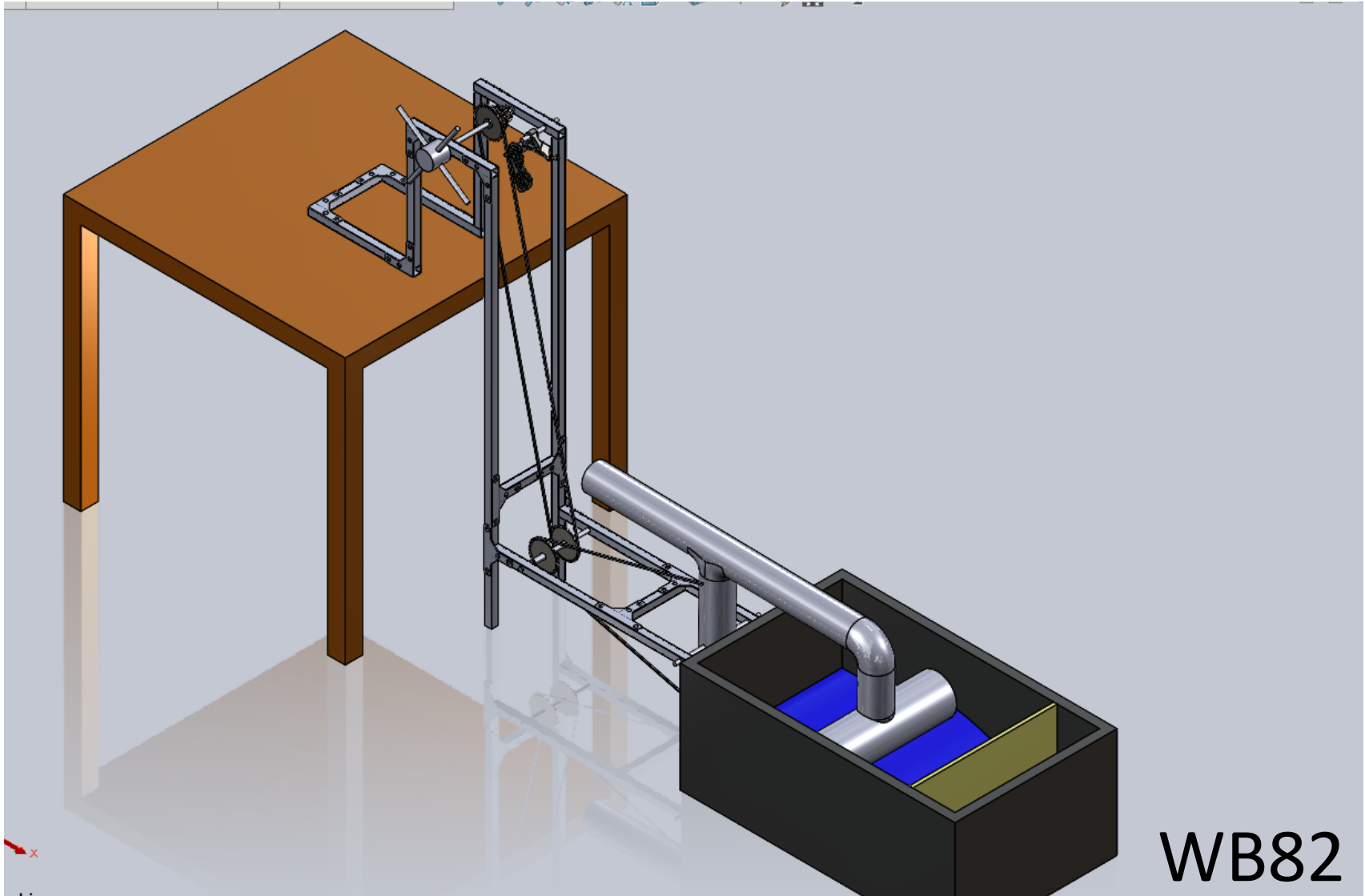
WB80



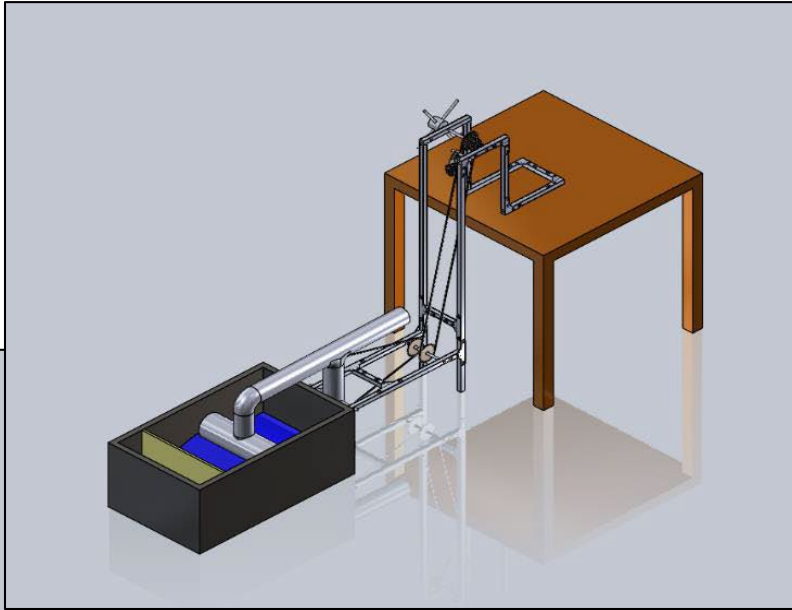
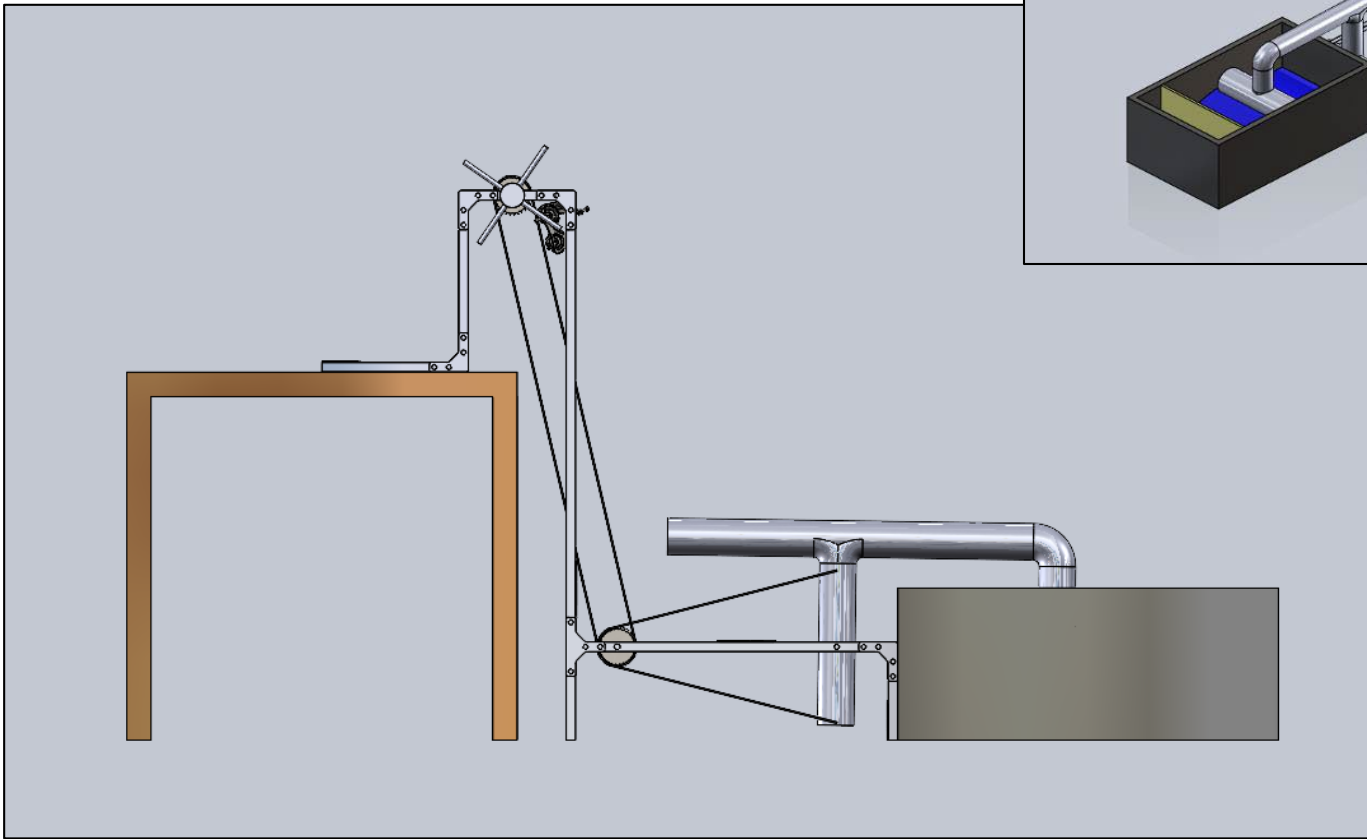
WB81



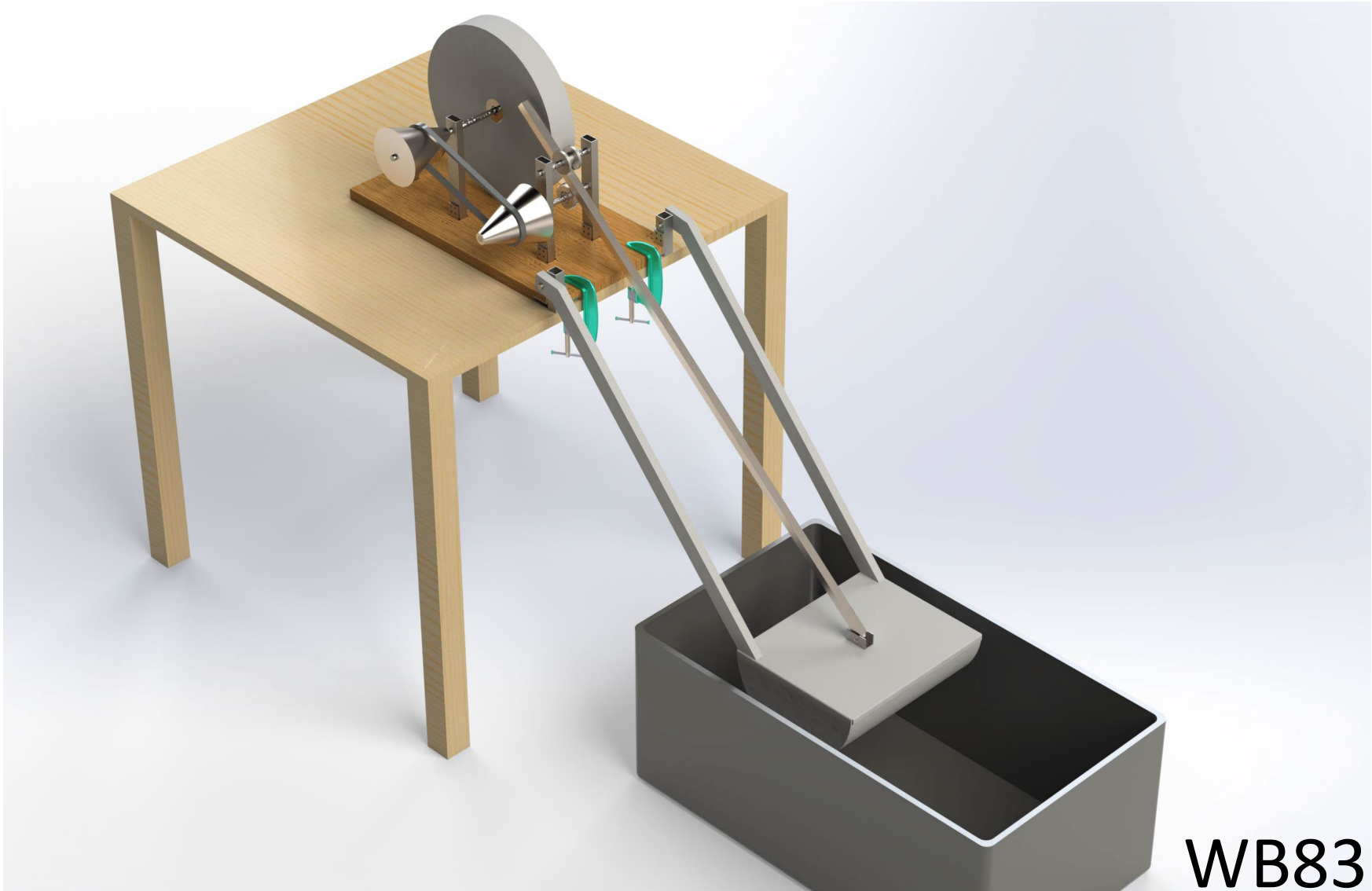
WB81



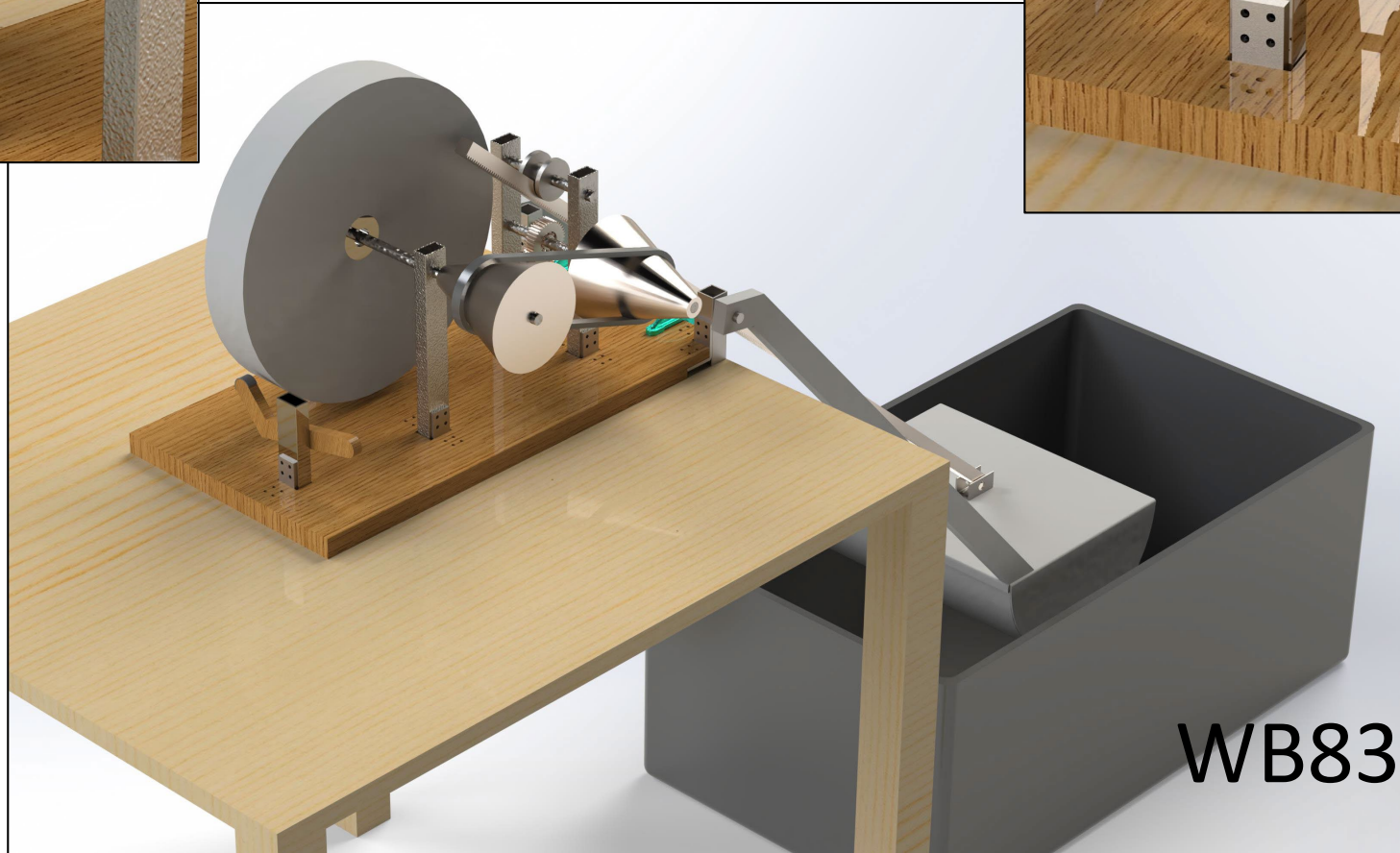
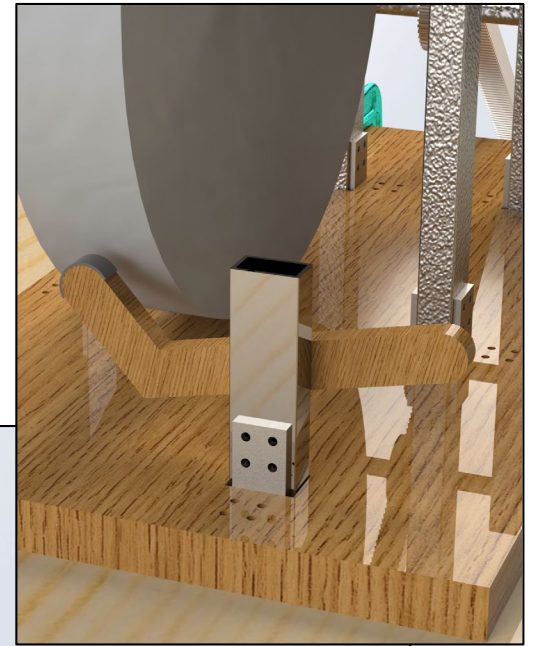
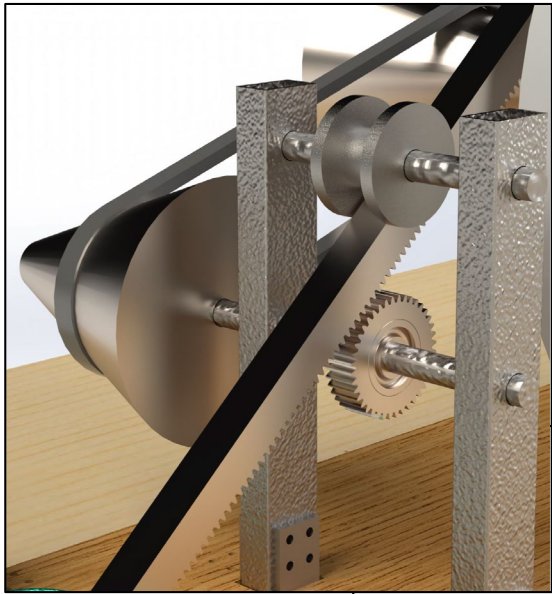
WB82



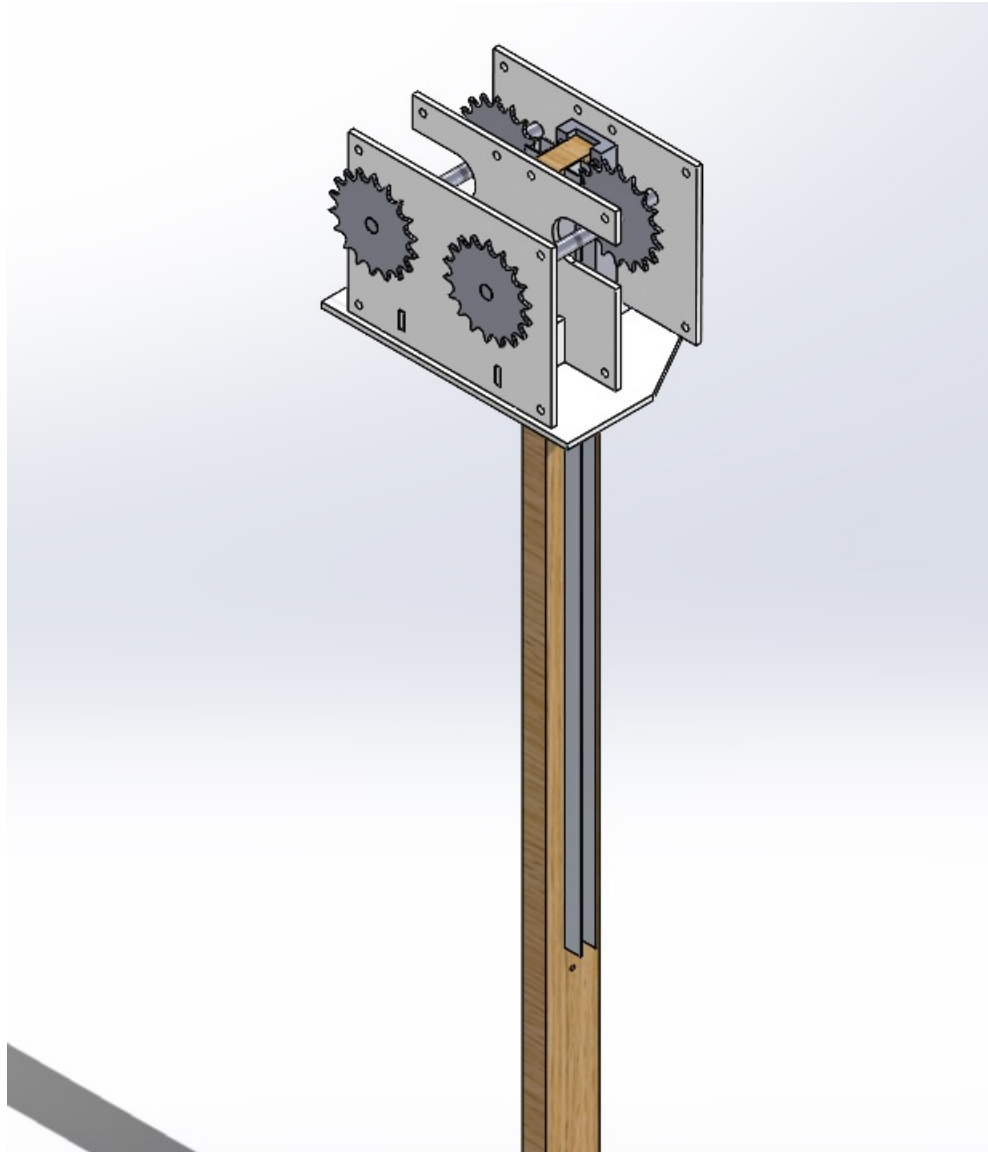
WB82



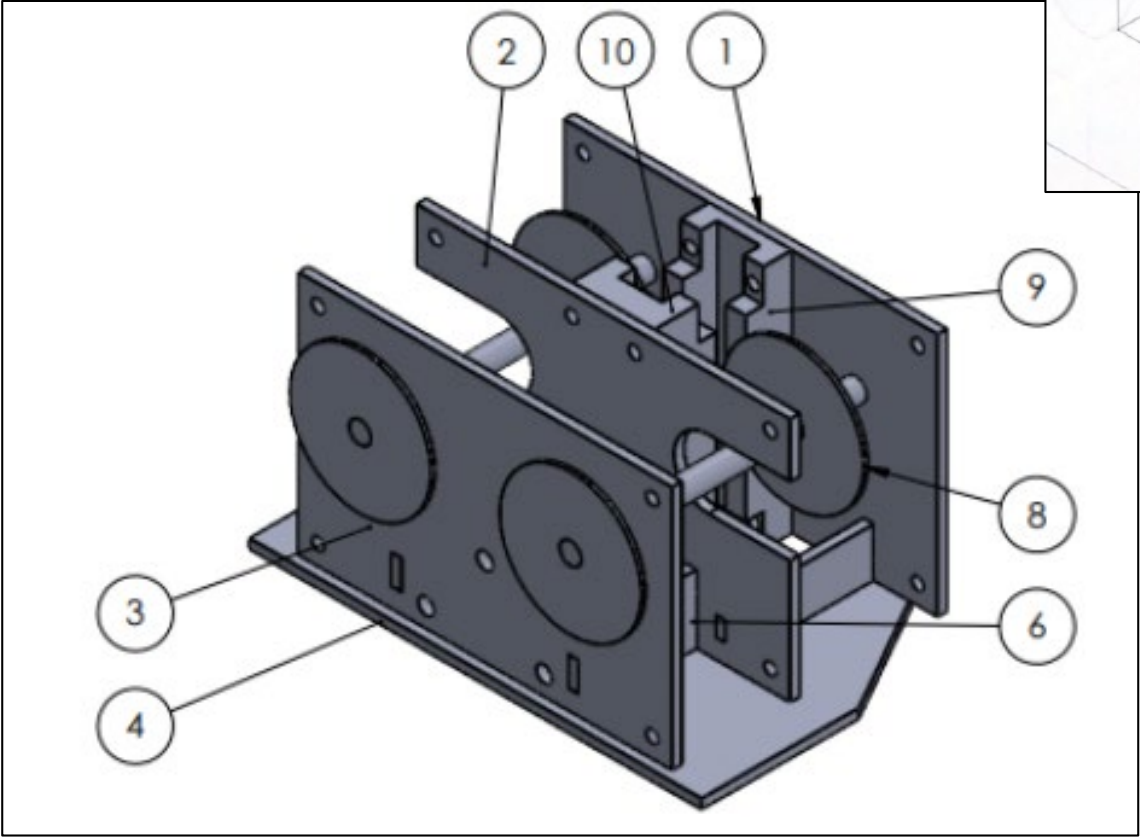
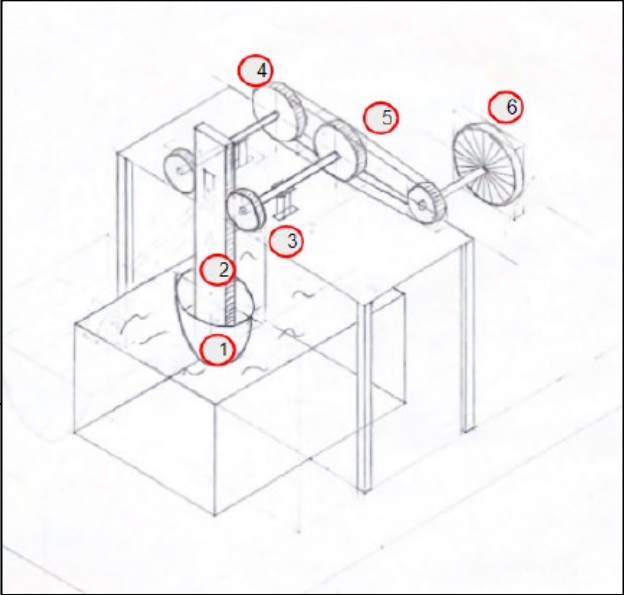
WB83



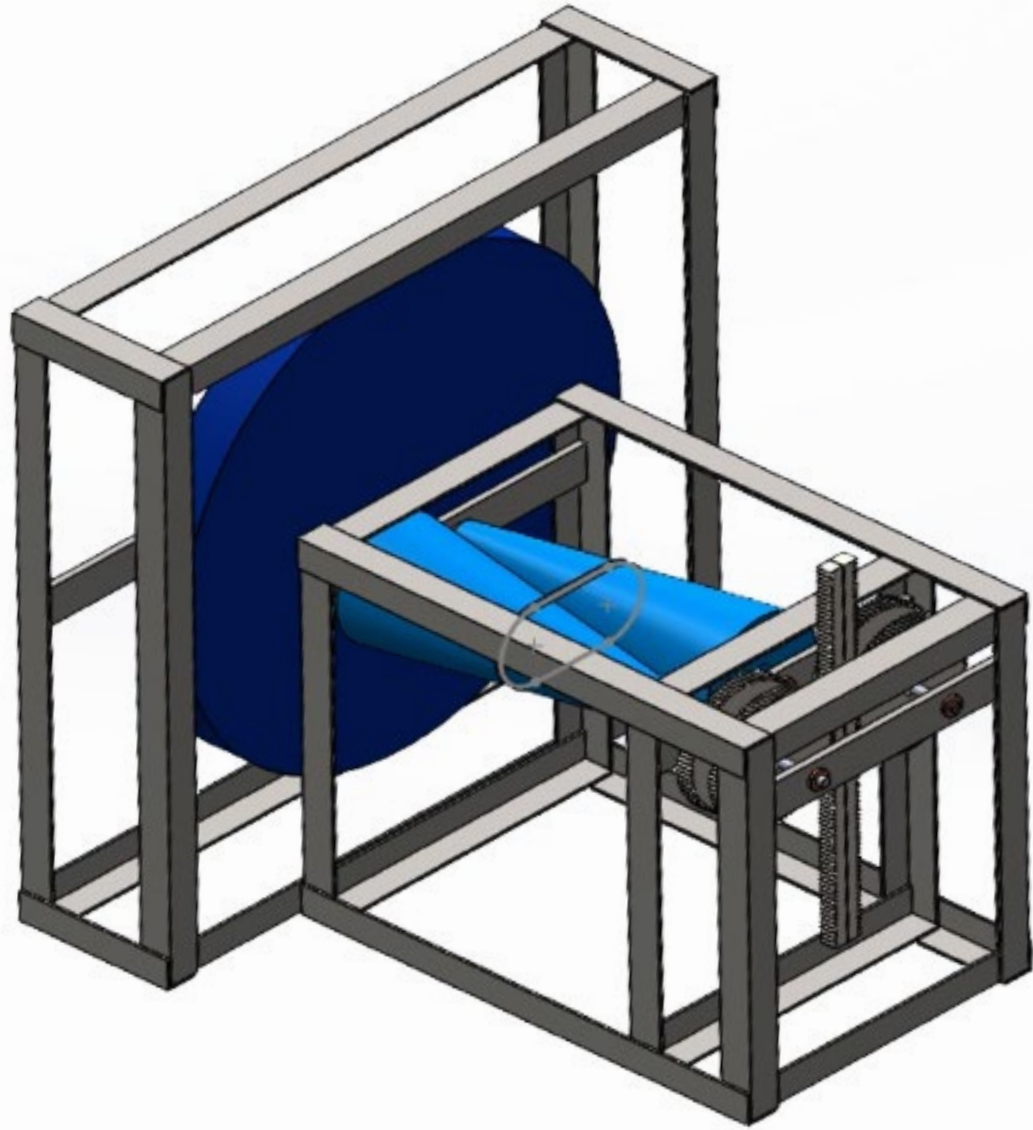
WB83



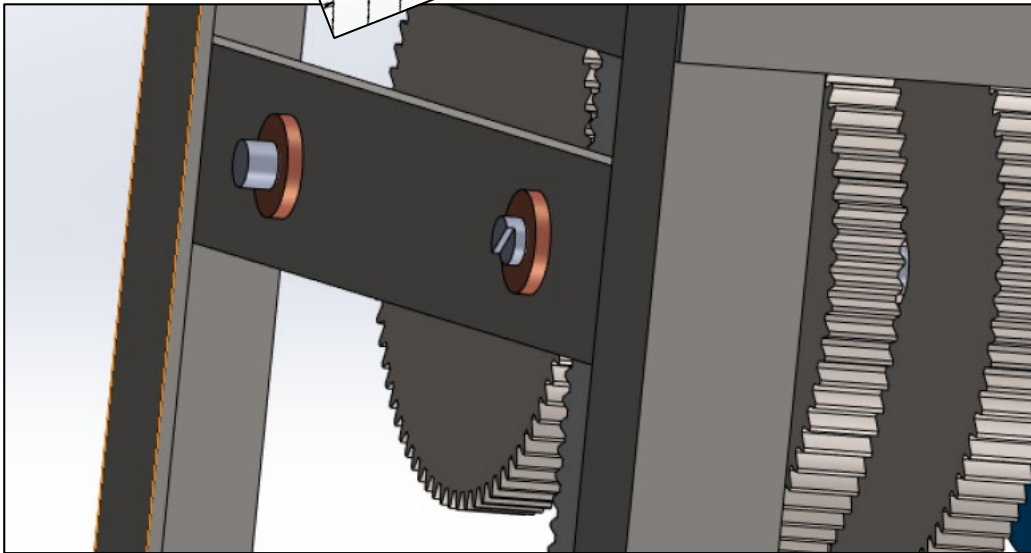
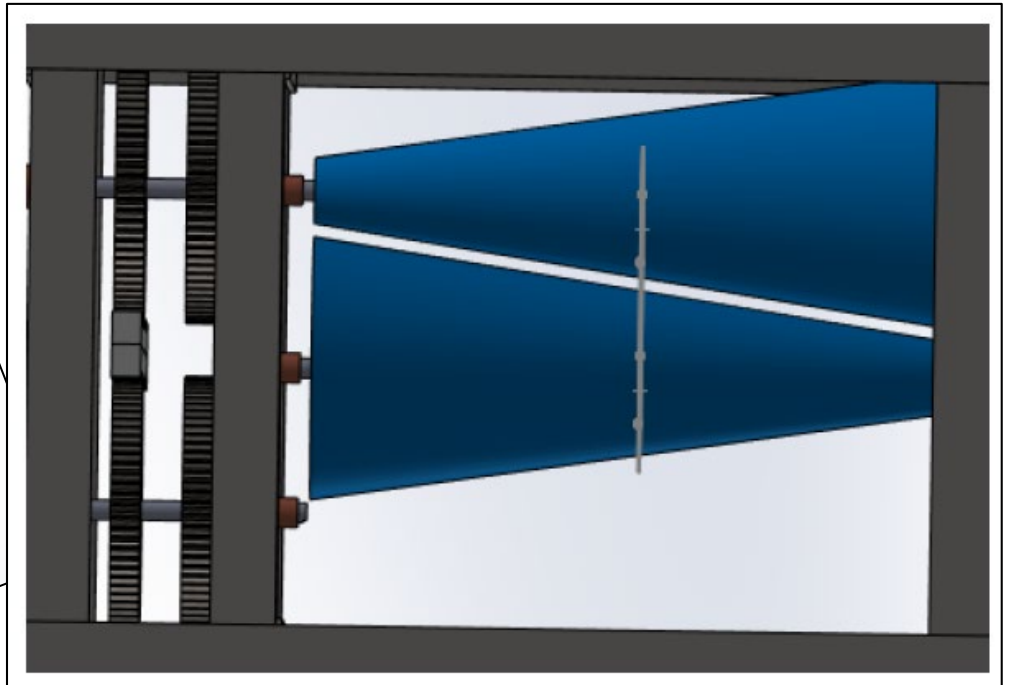
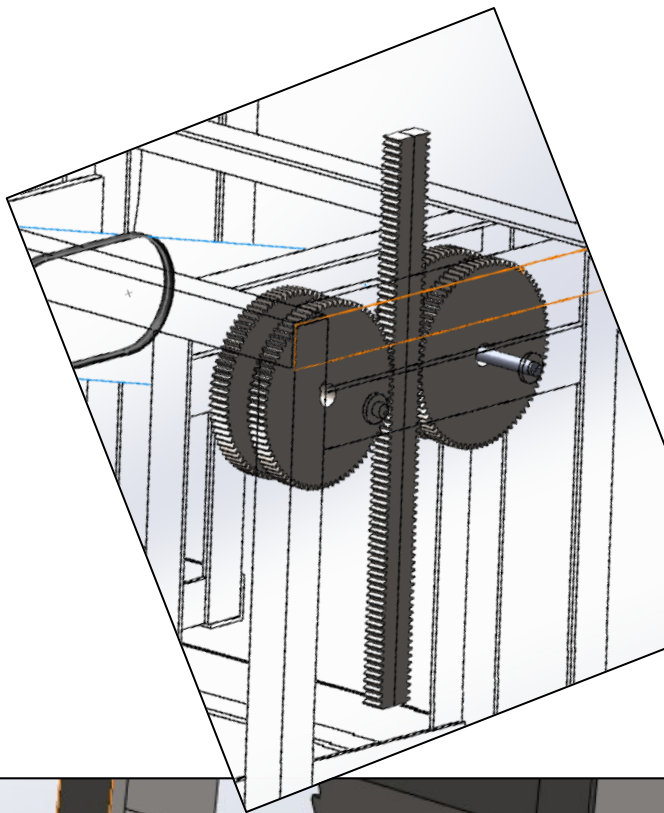
WB84



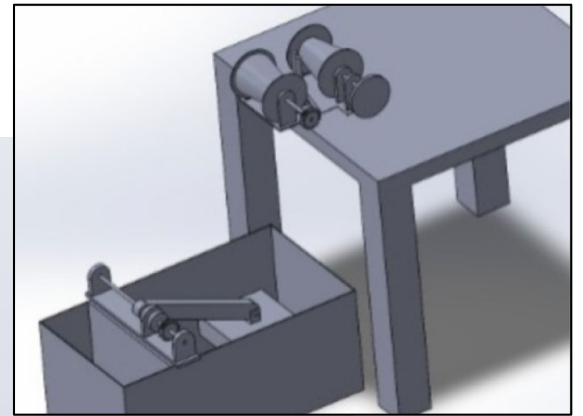
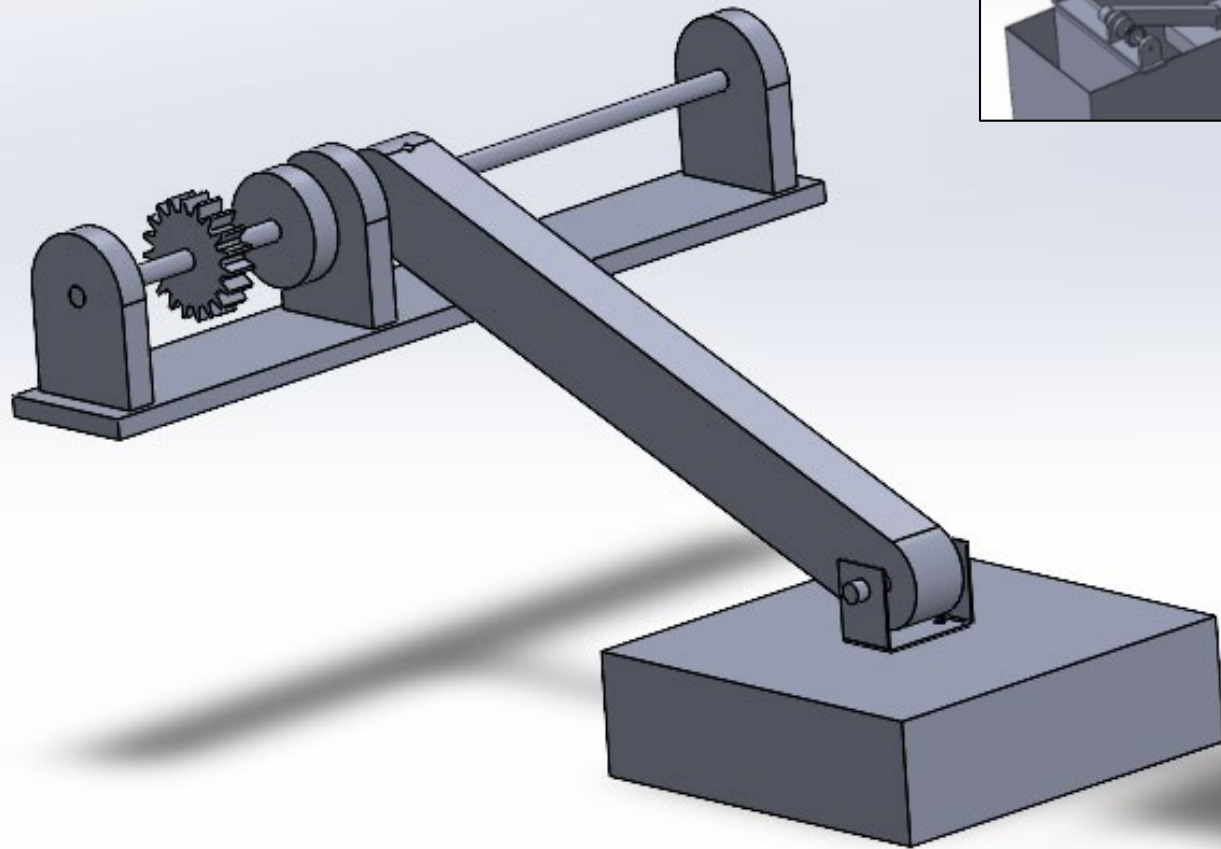
WB84



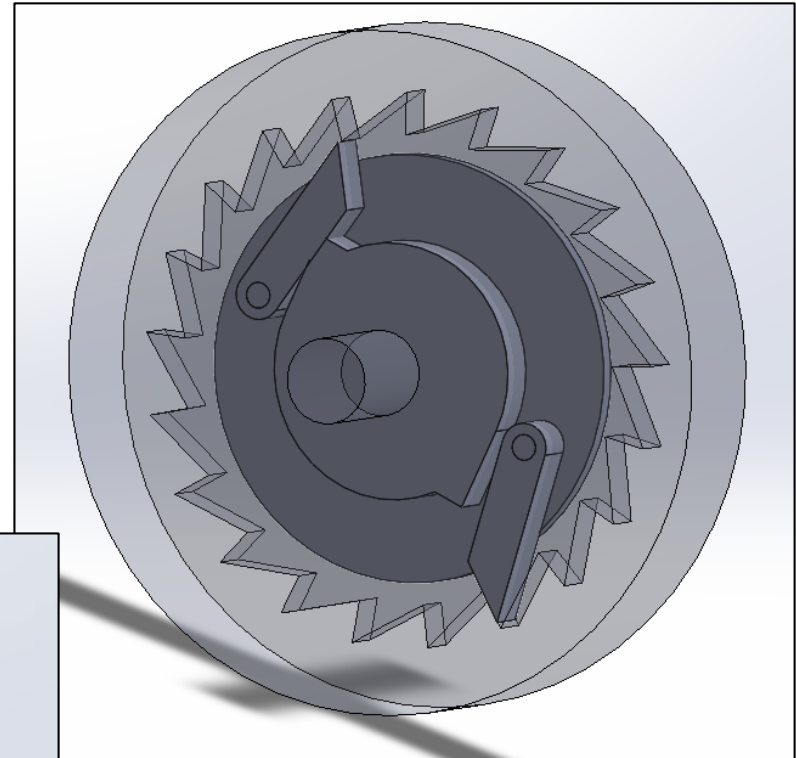
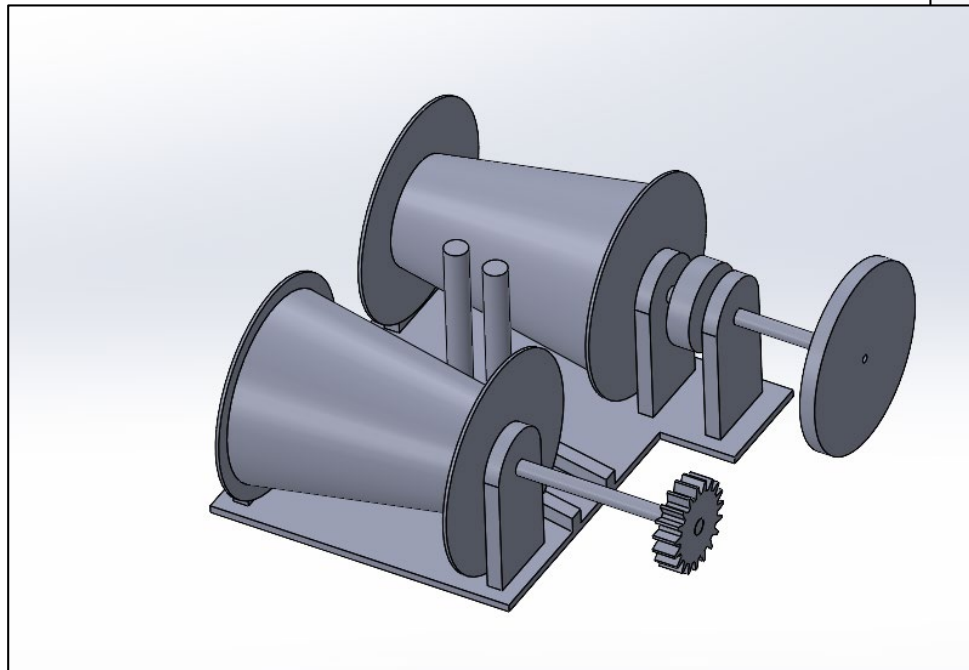
WB85



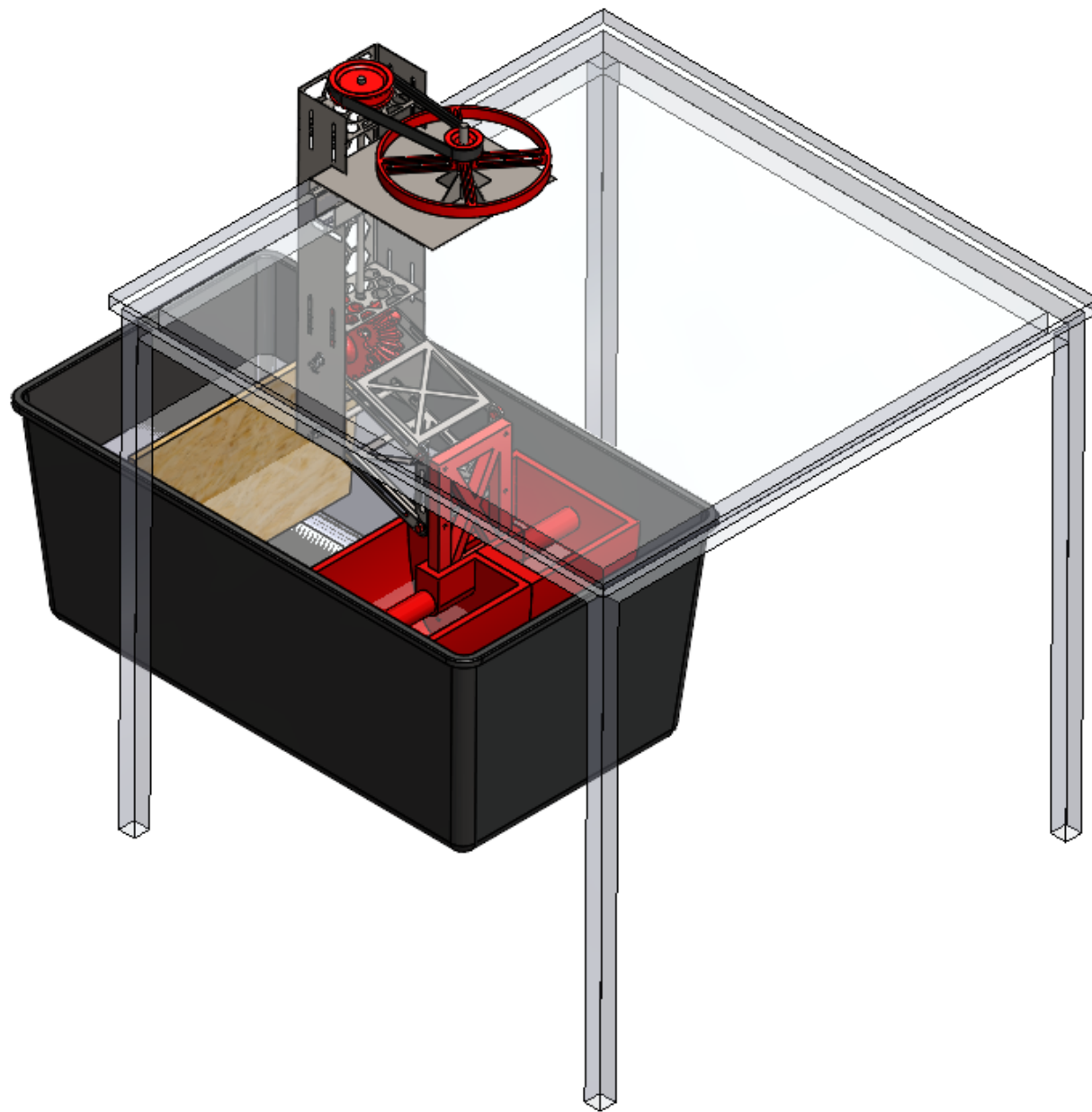
WB85



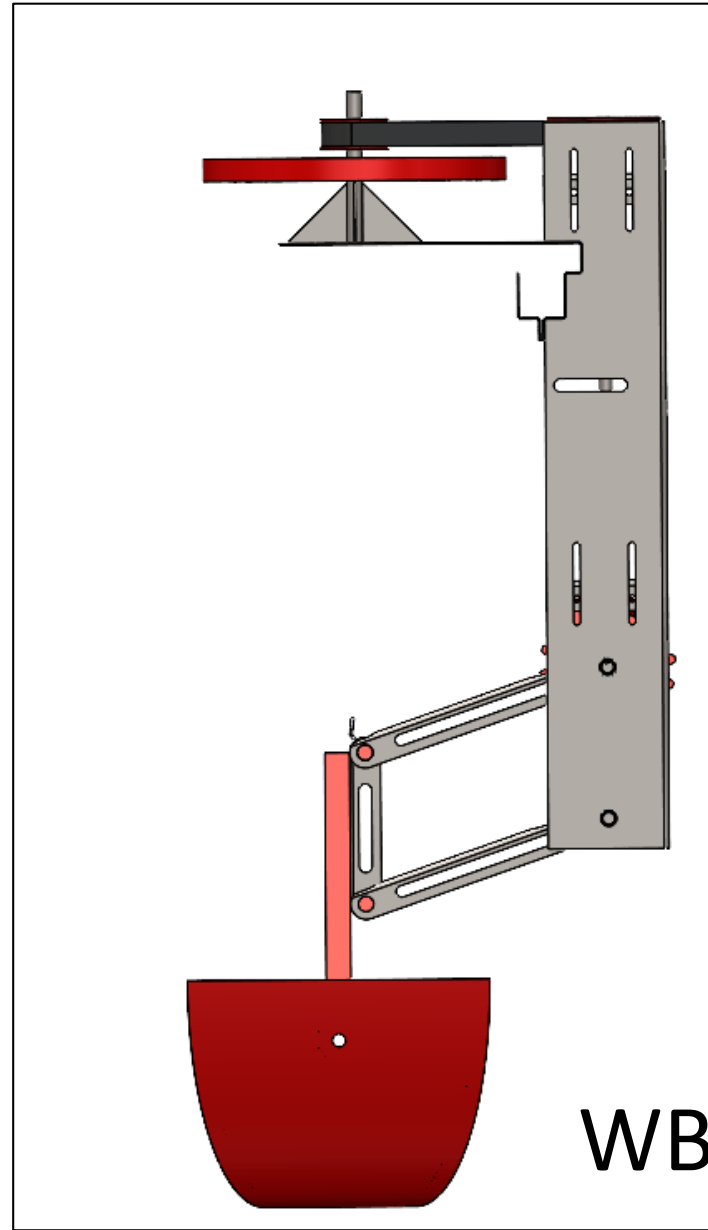
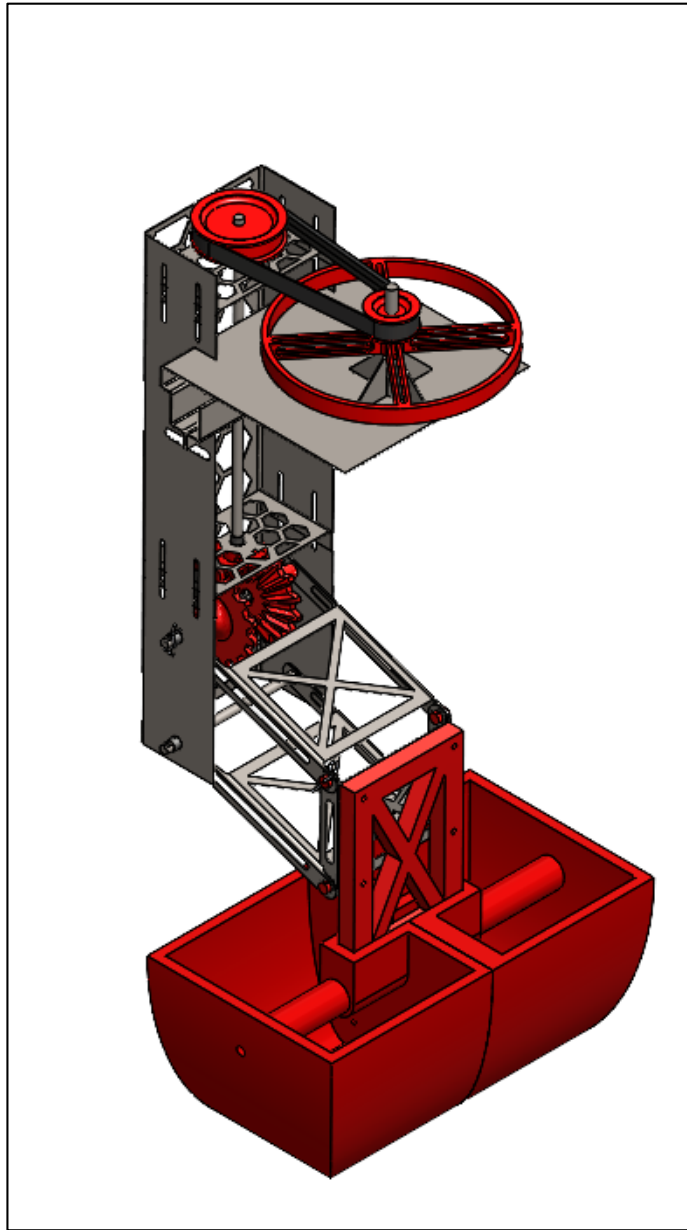
WB86



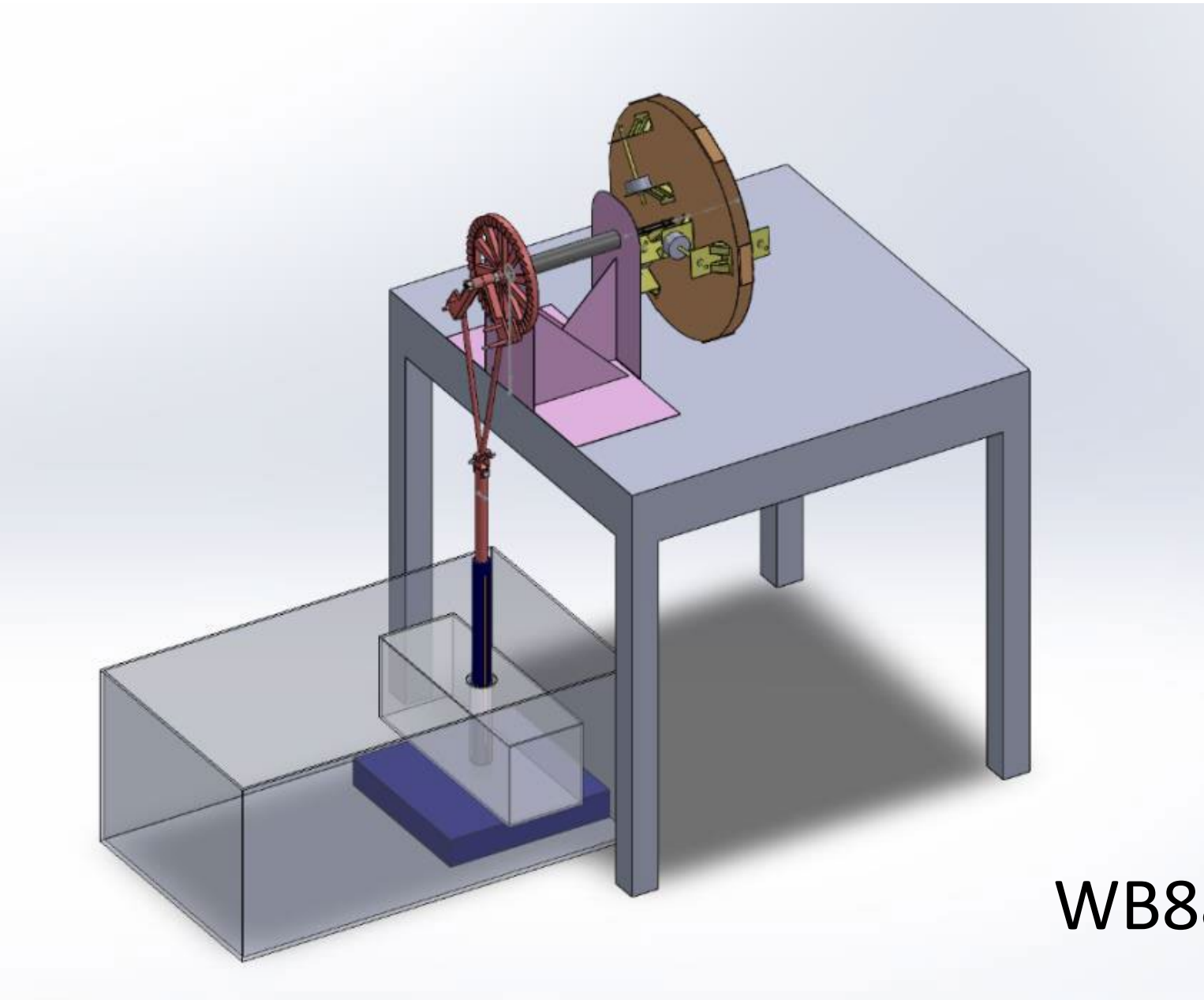
WB86



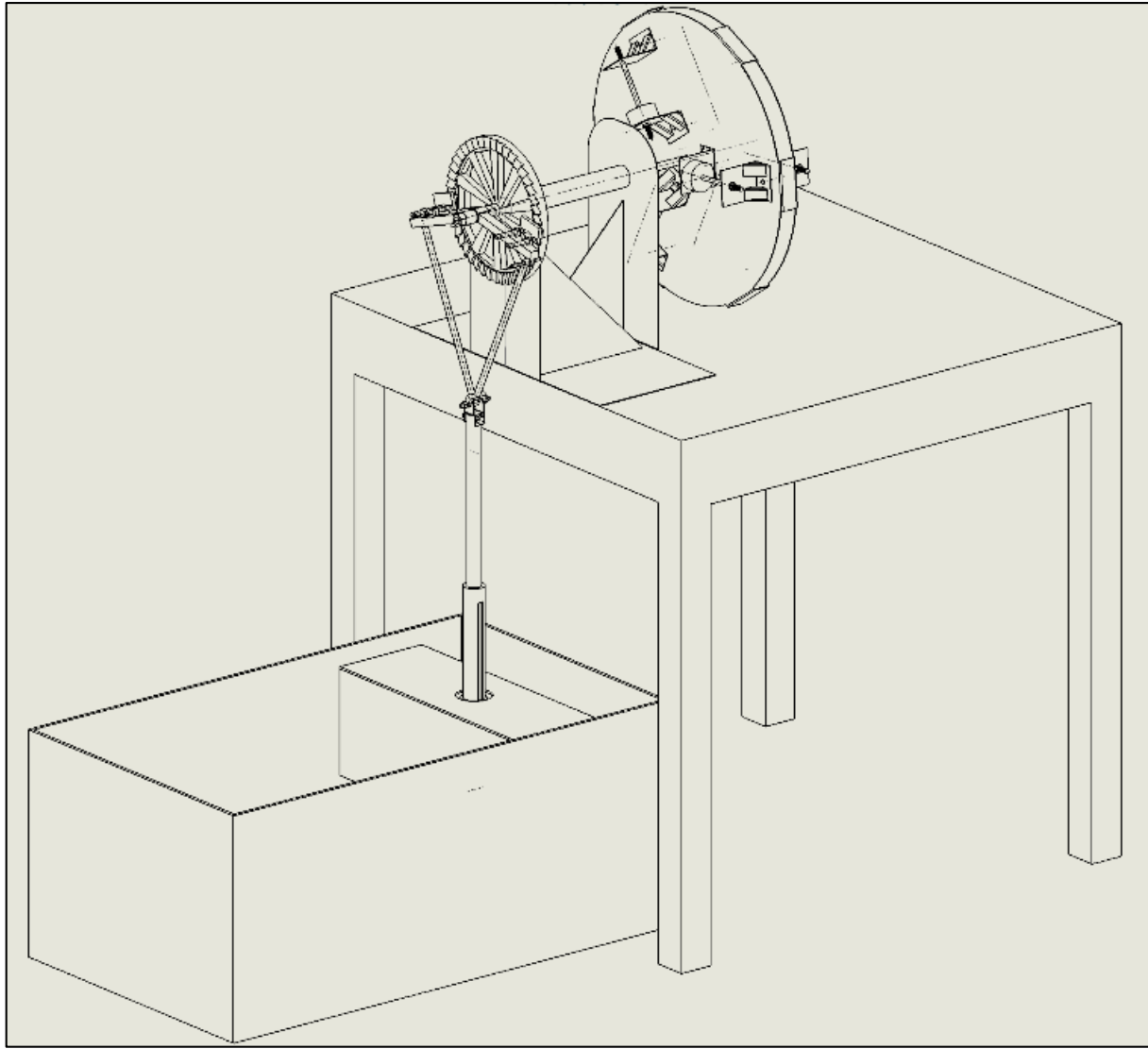
WB87



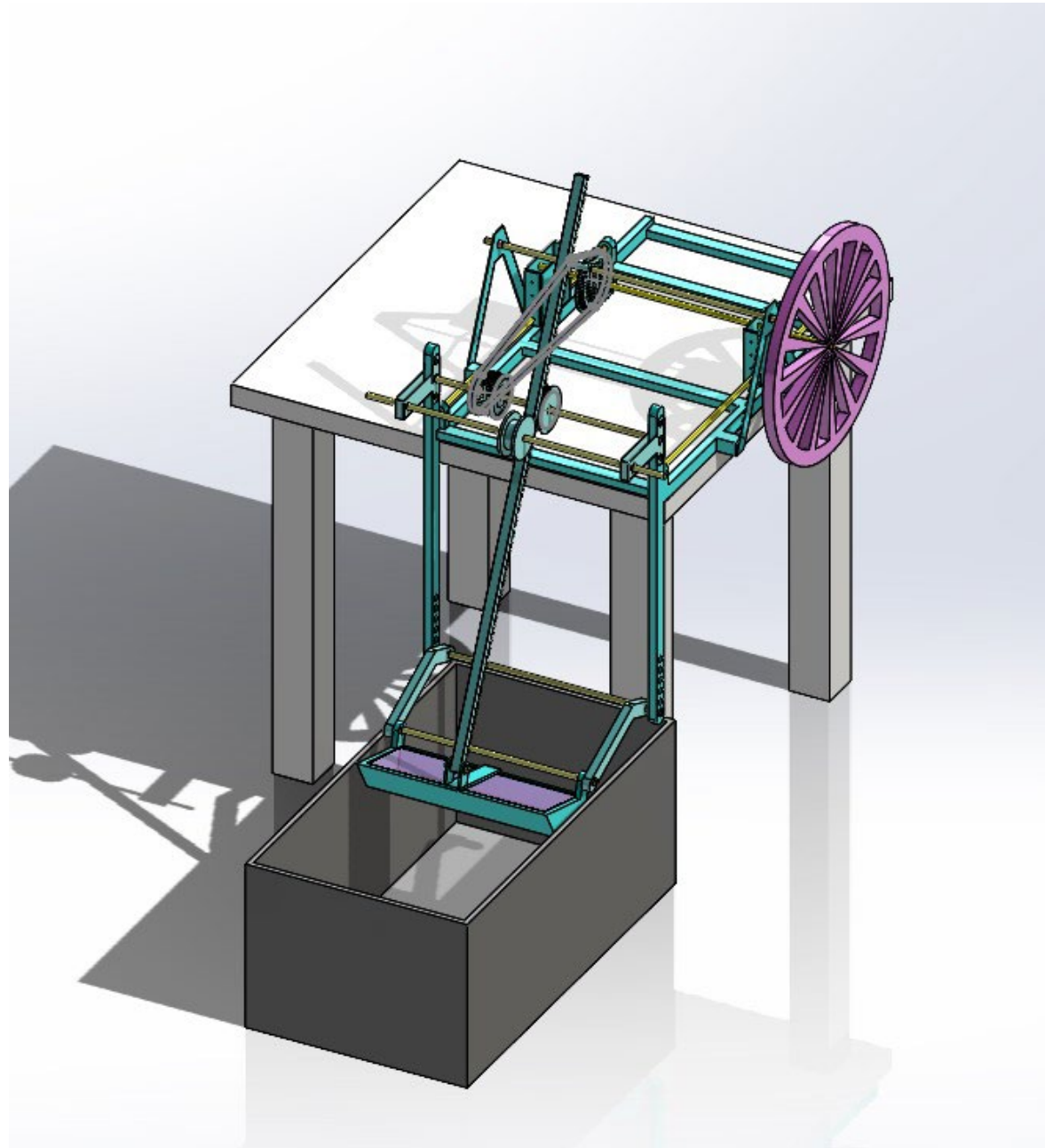
WB87



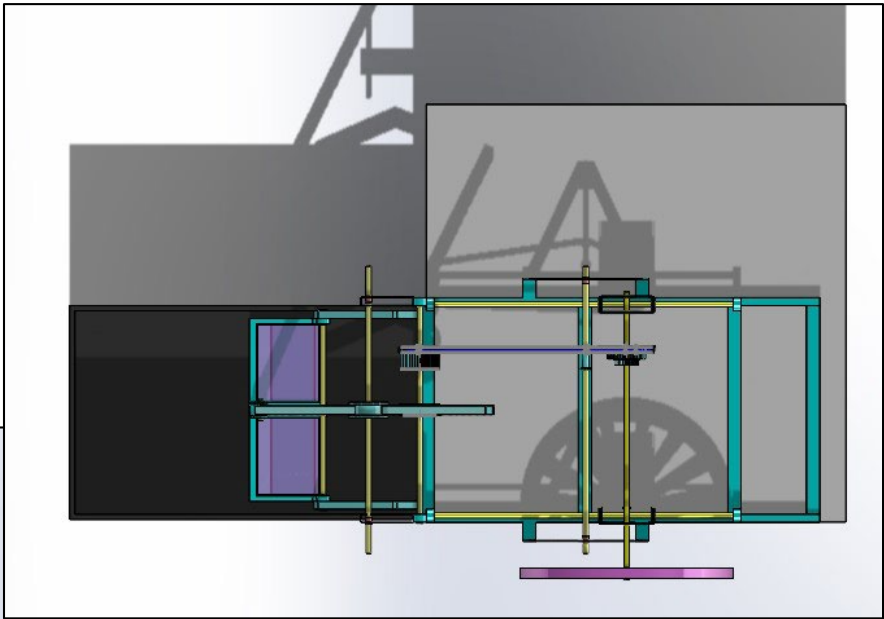
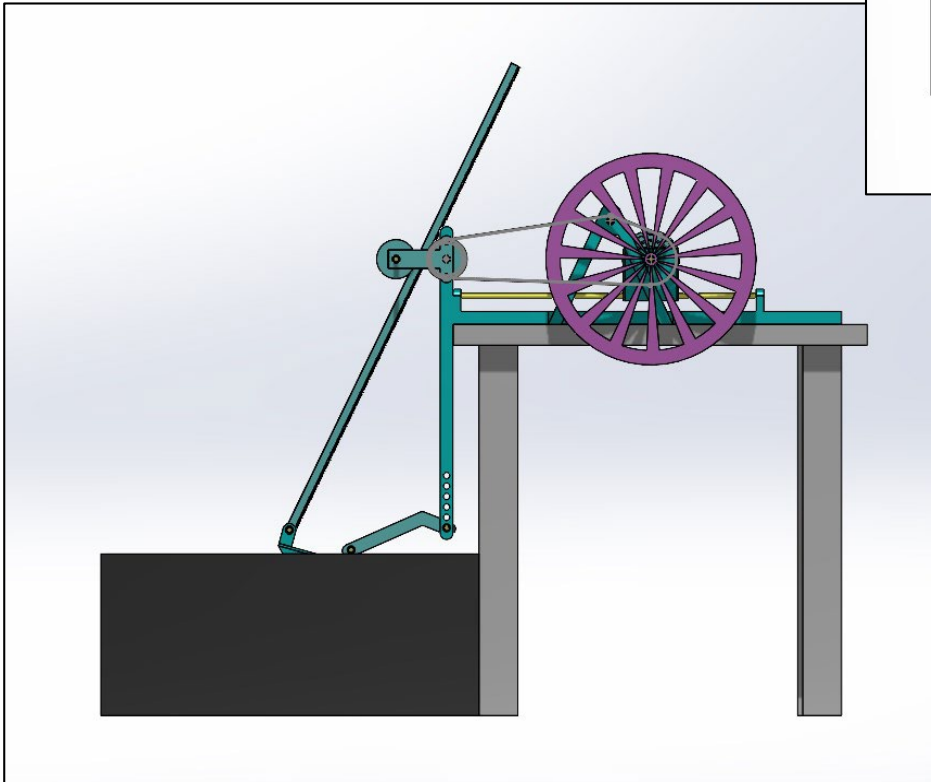
WB88



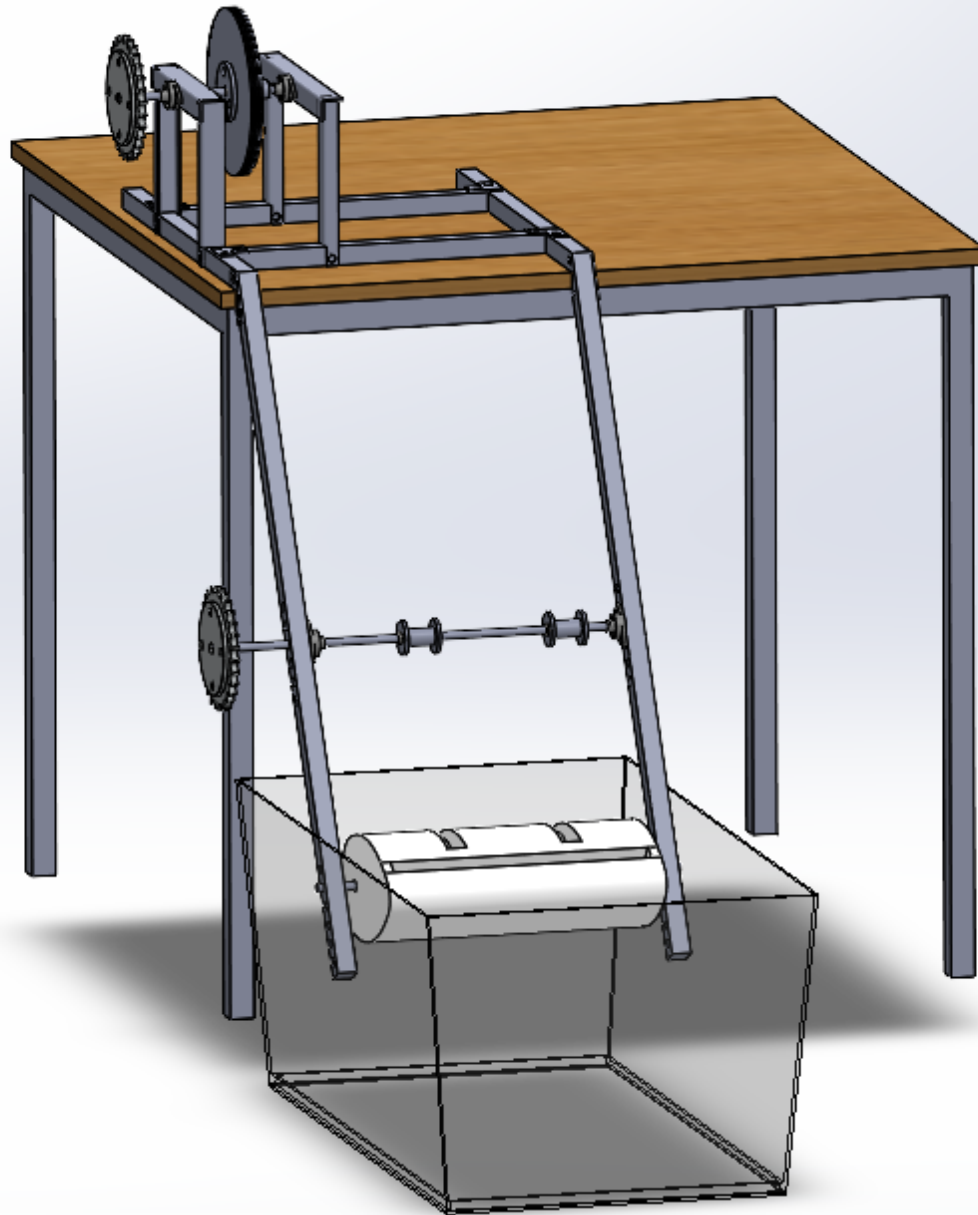
WB88



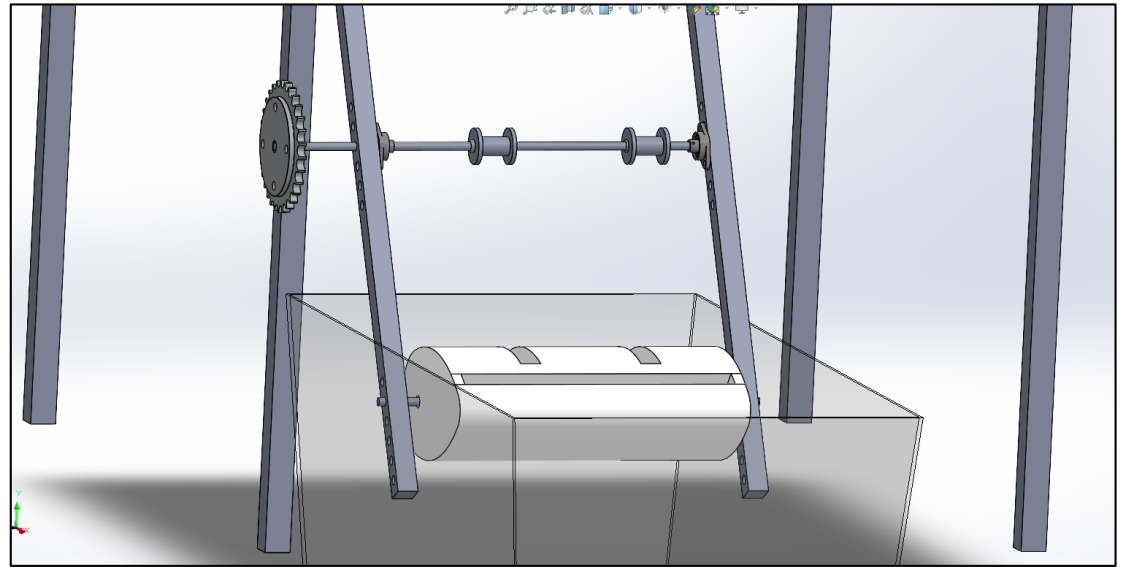
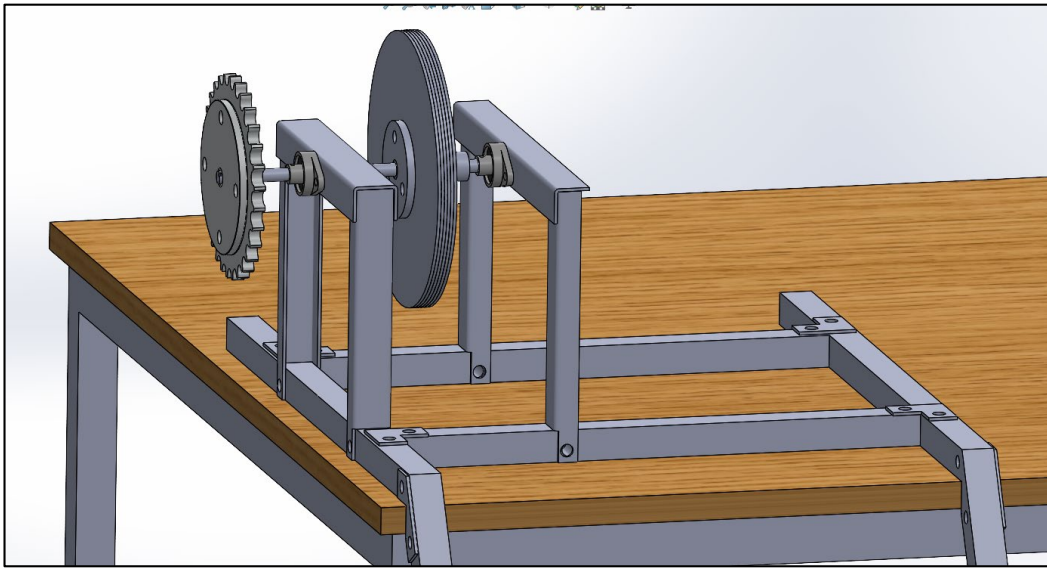
WB89



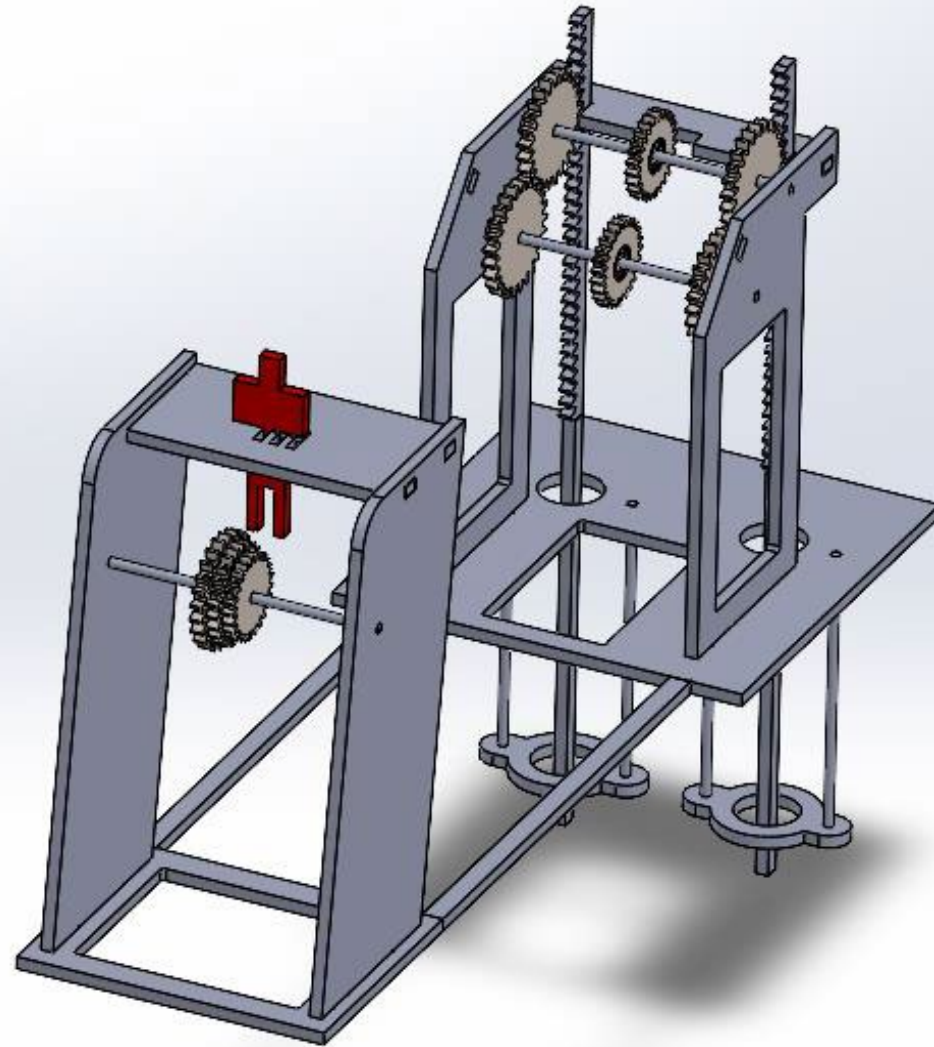
WB89



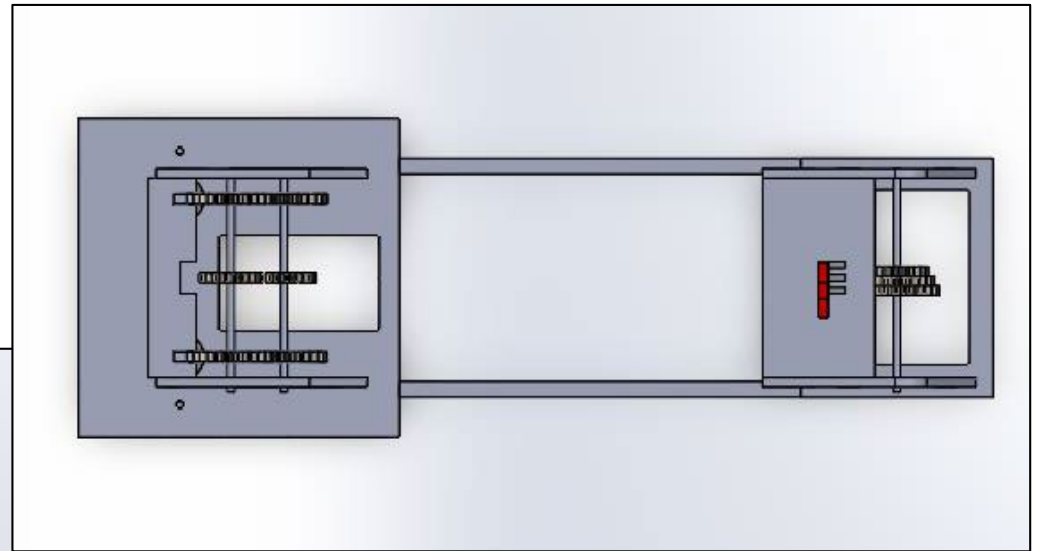
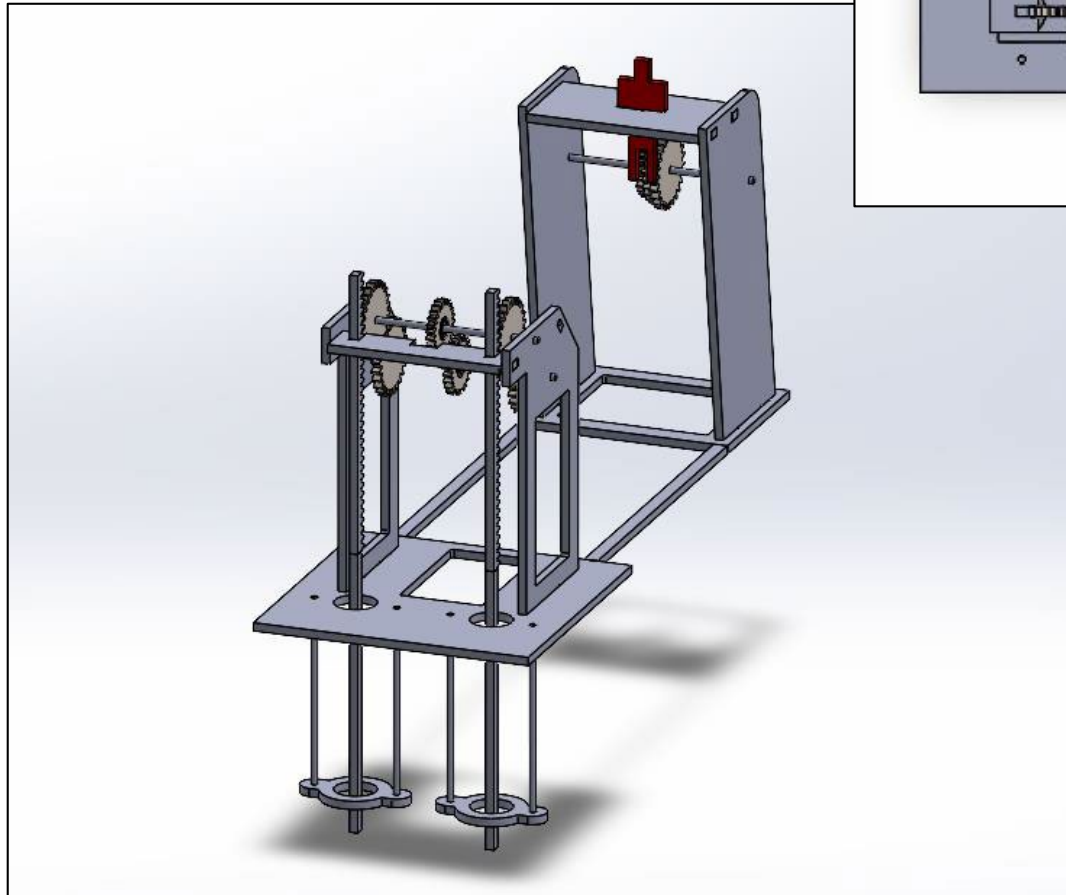
WB90



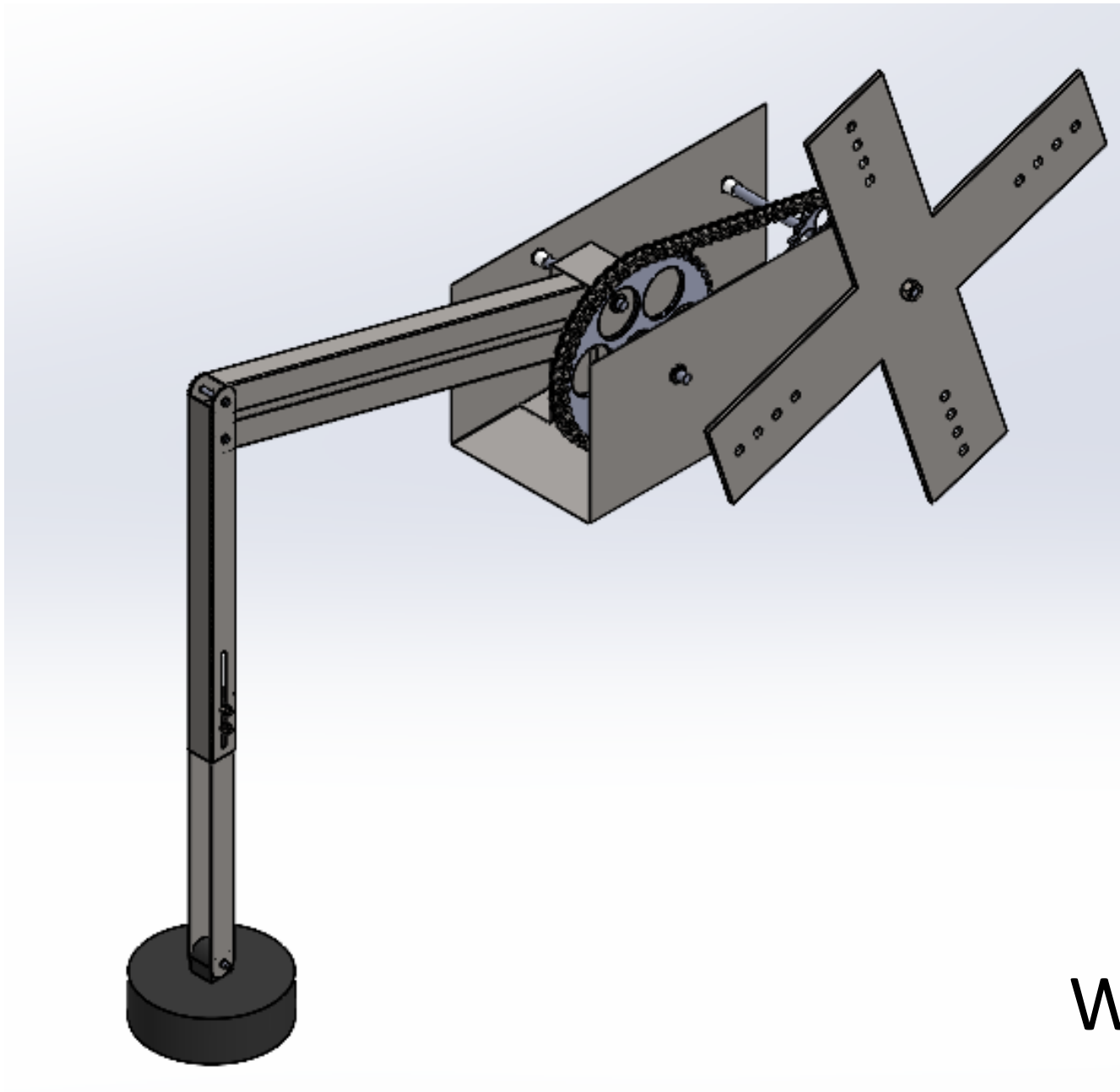
WB90



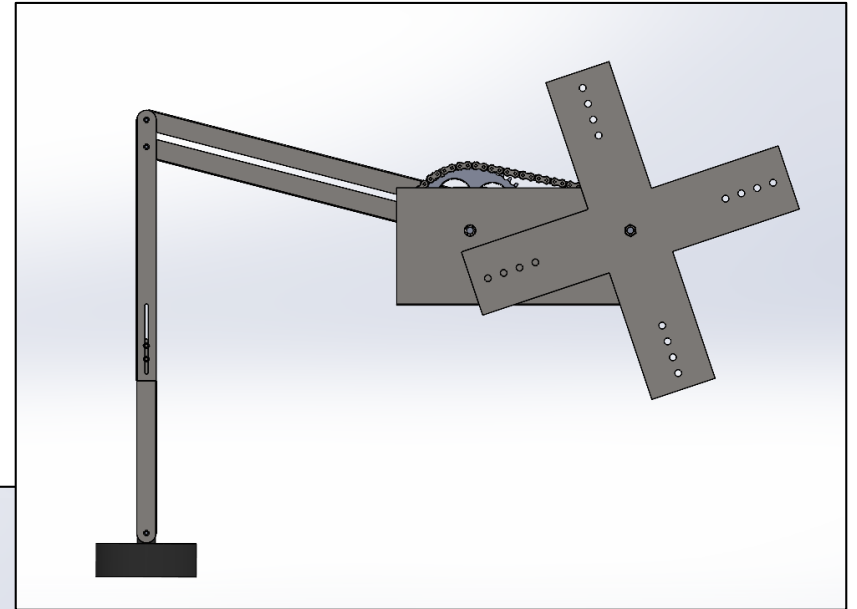
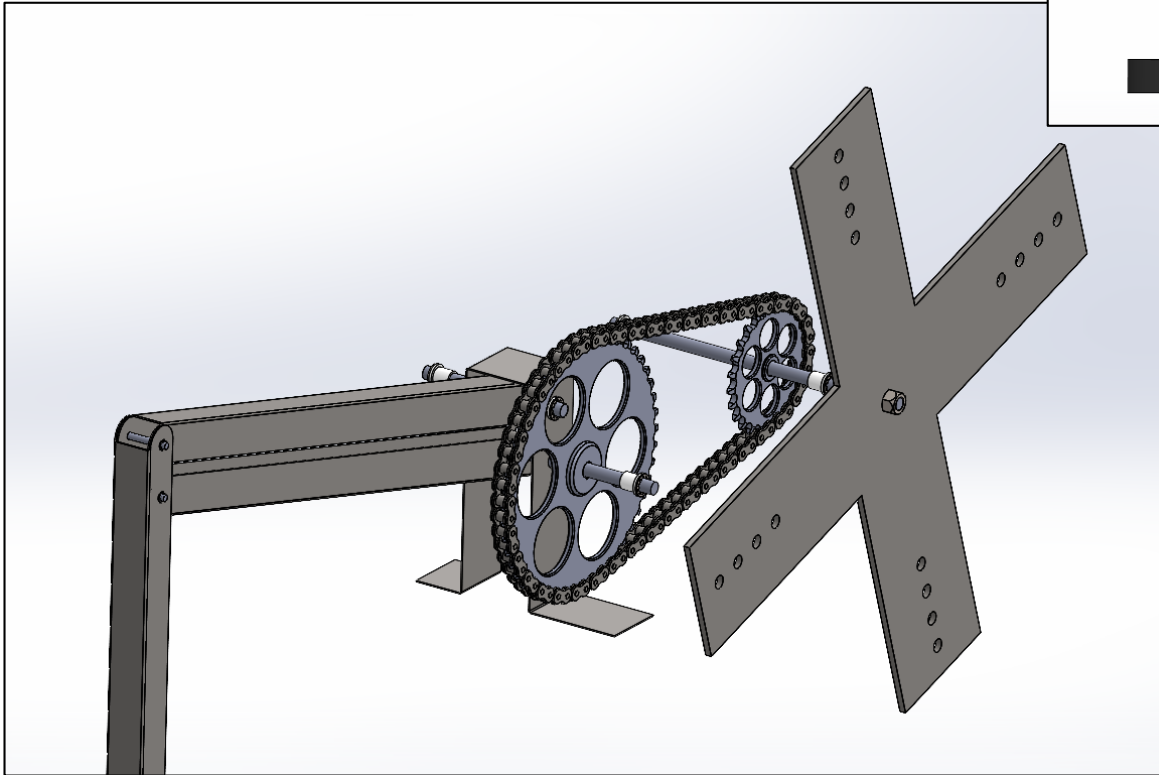
WB91



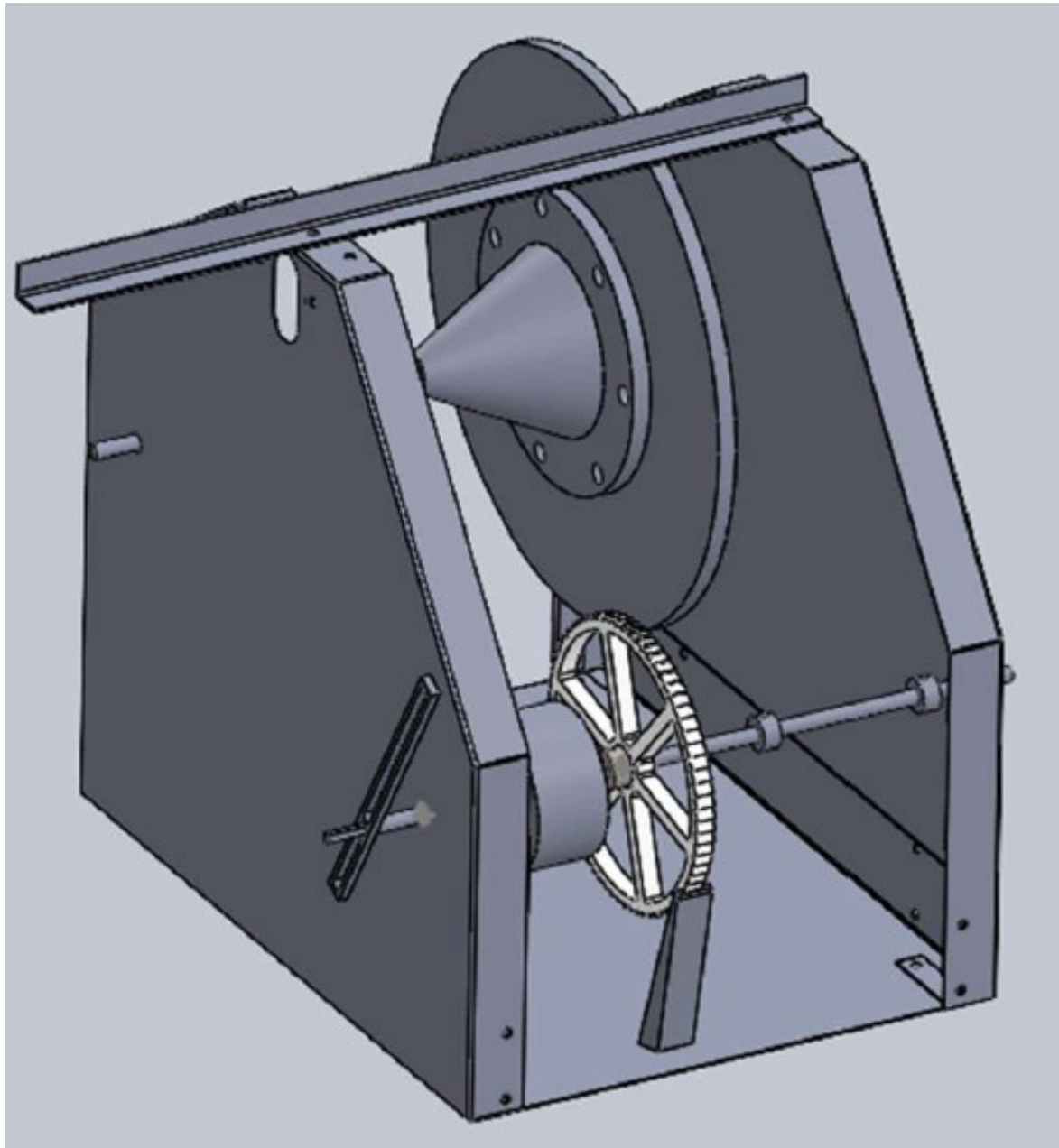
WB91



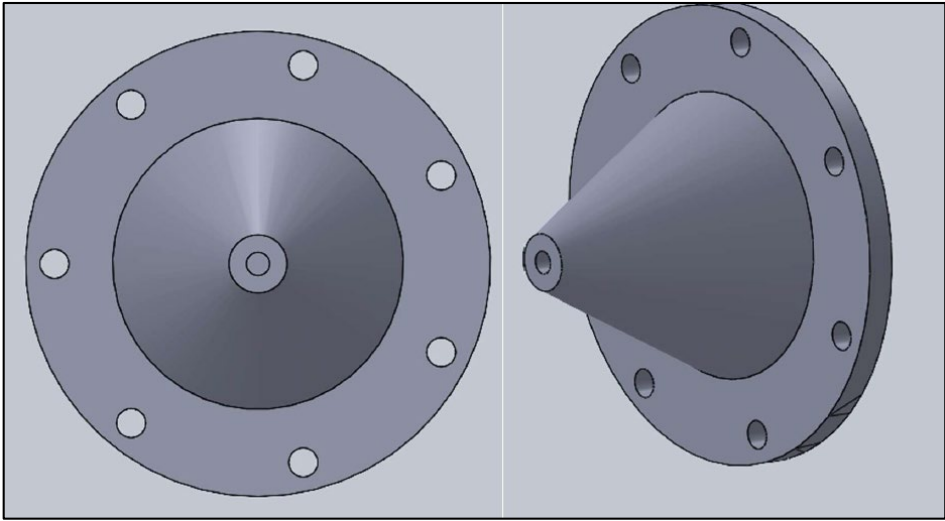
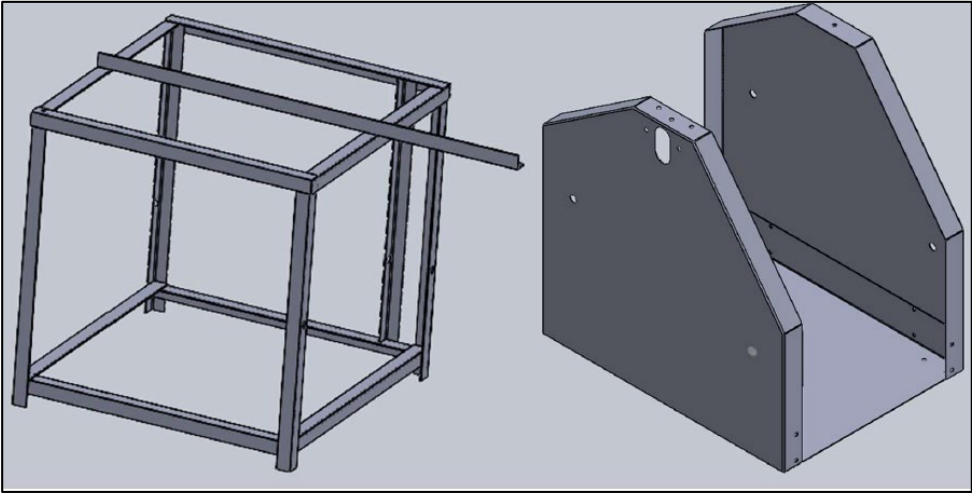
WB92



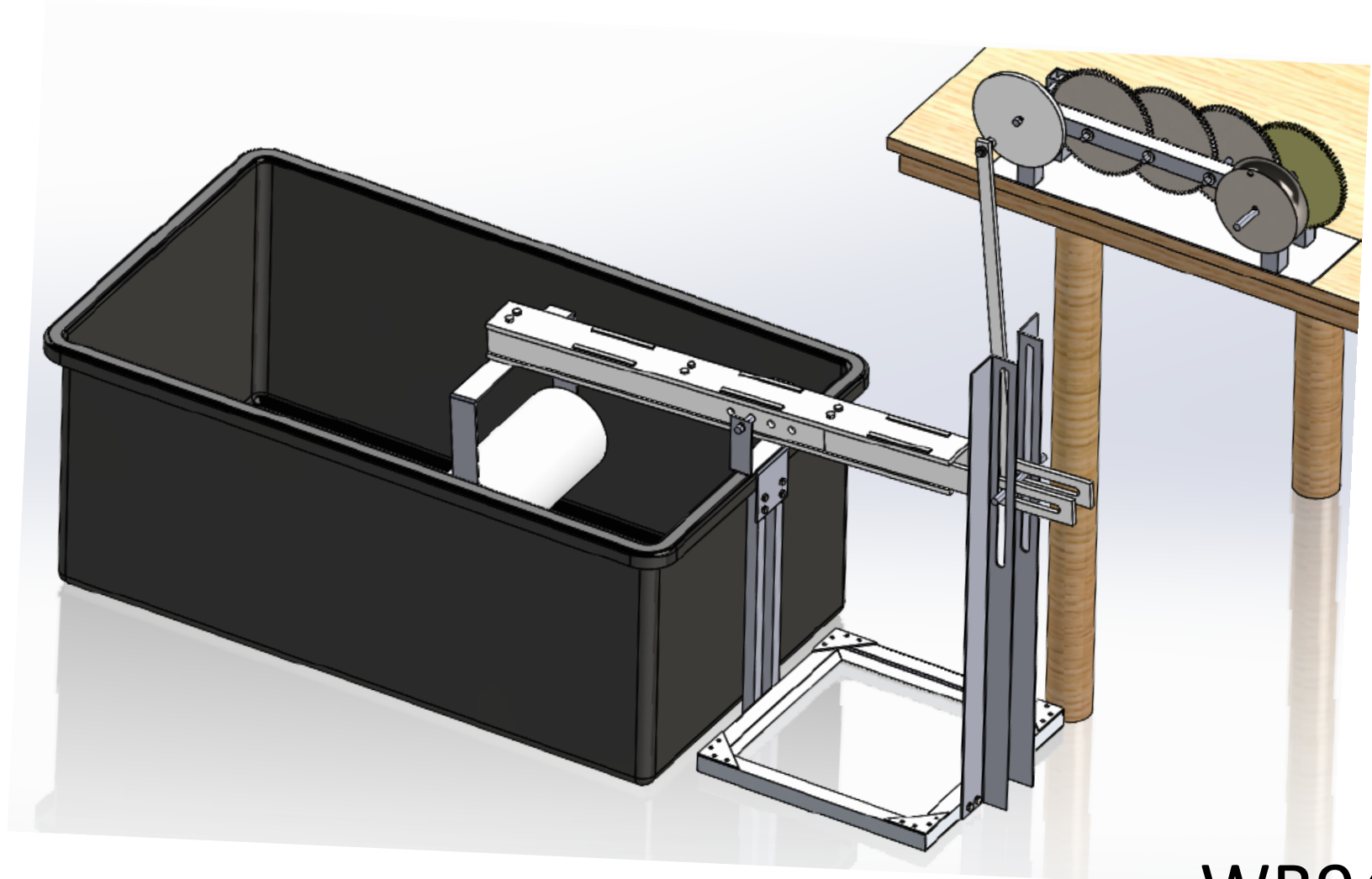
WB92



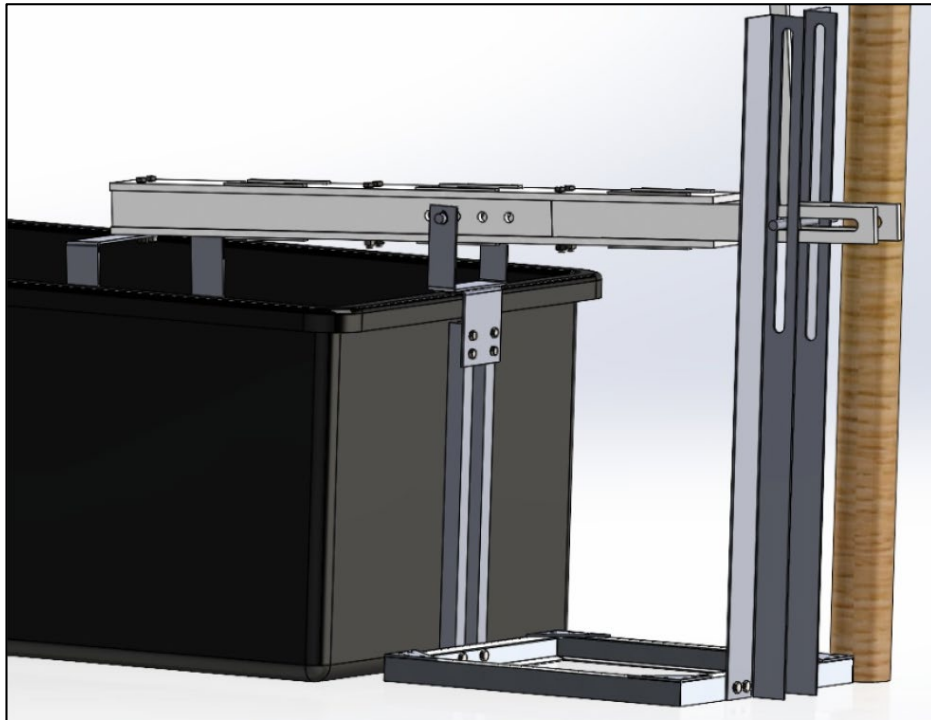
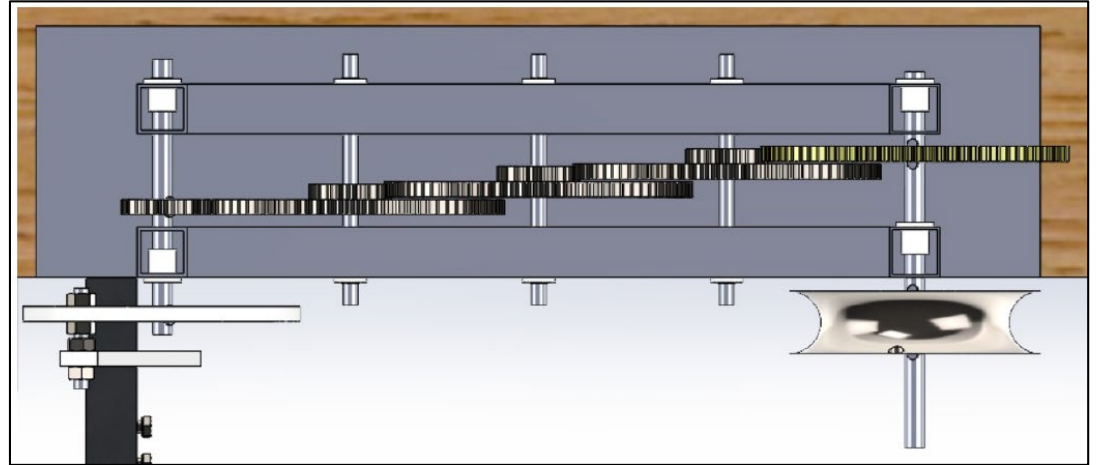
WB93



WB93



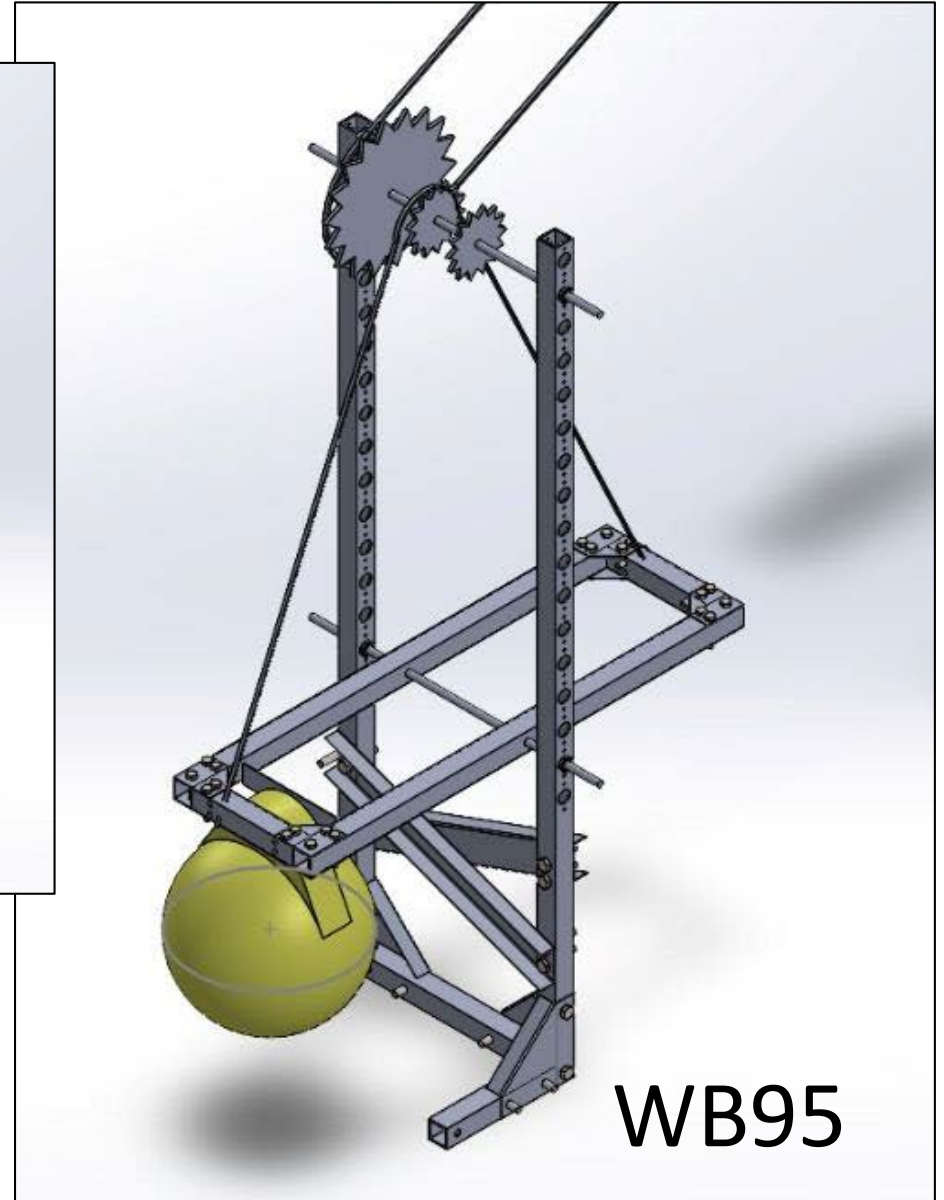
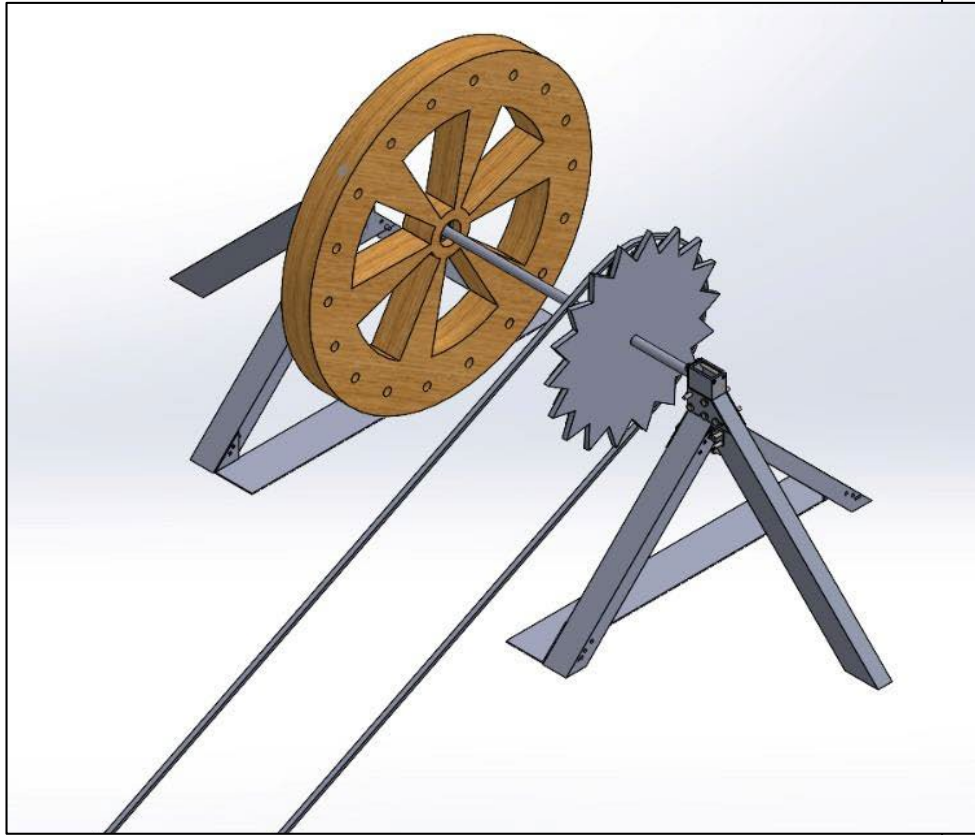
WB94



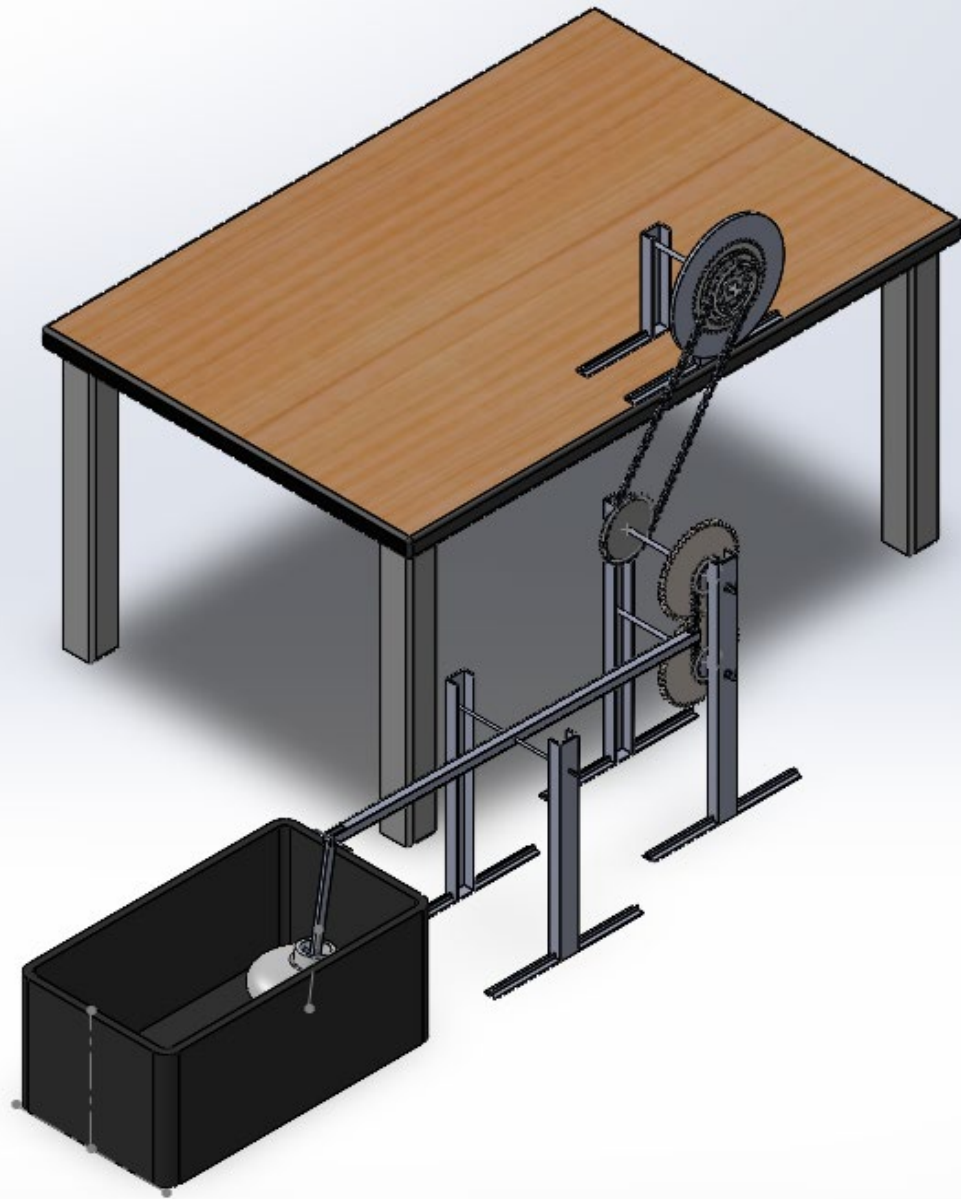
WB94



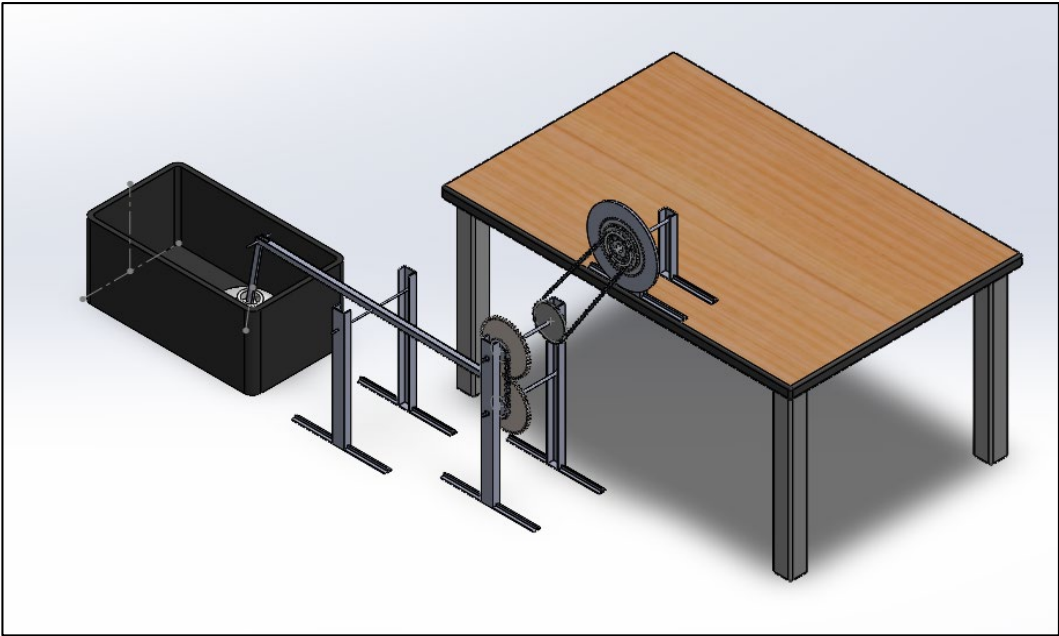
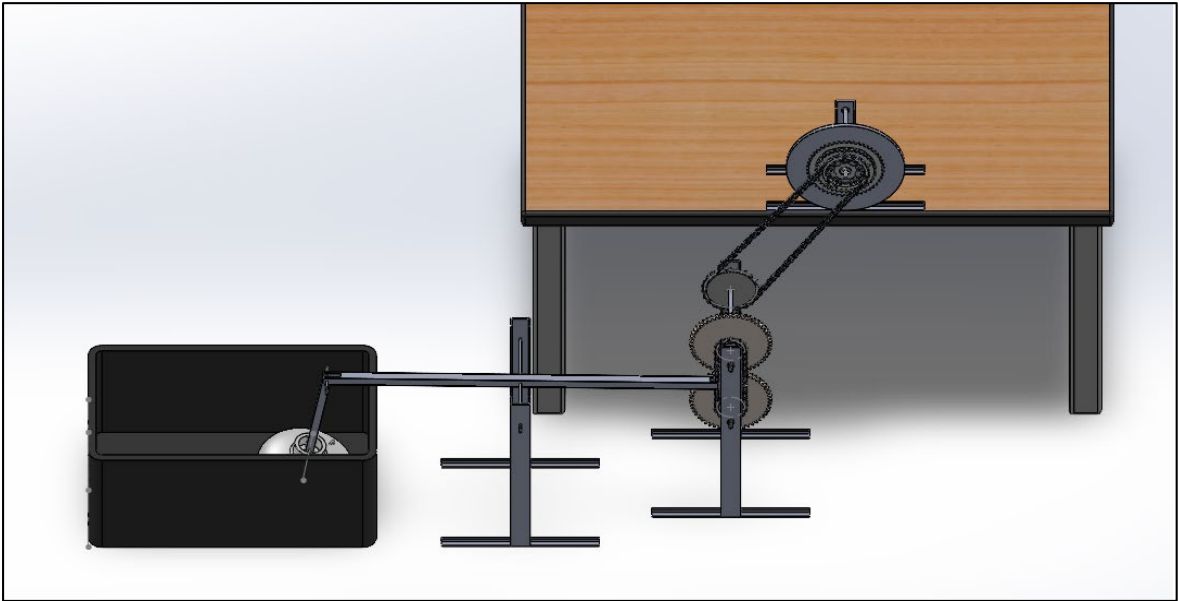
WB95



WB95



WB96



WB96